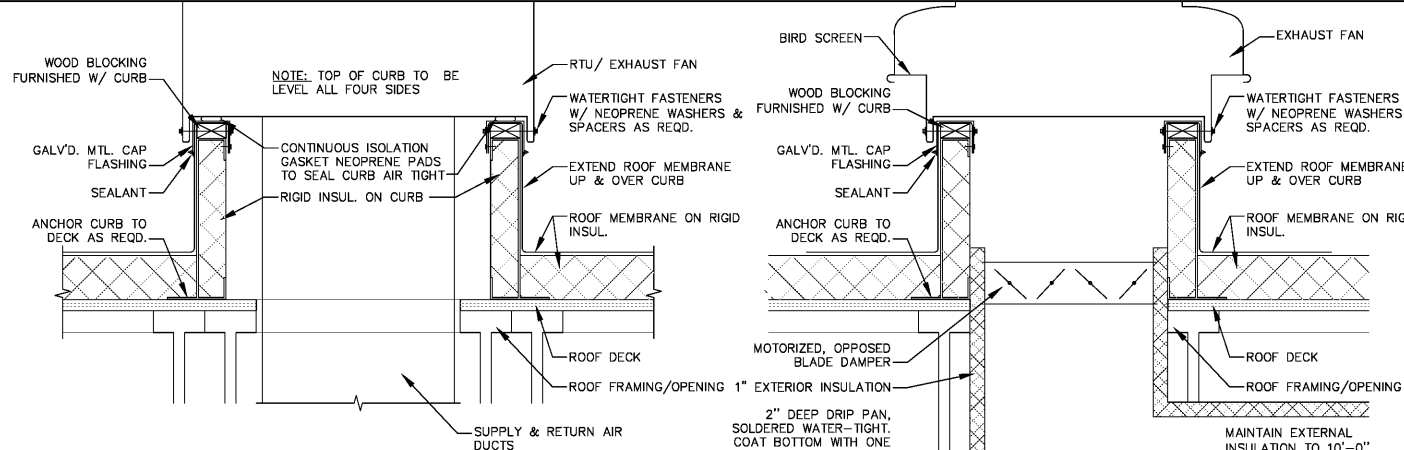
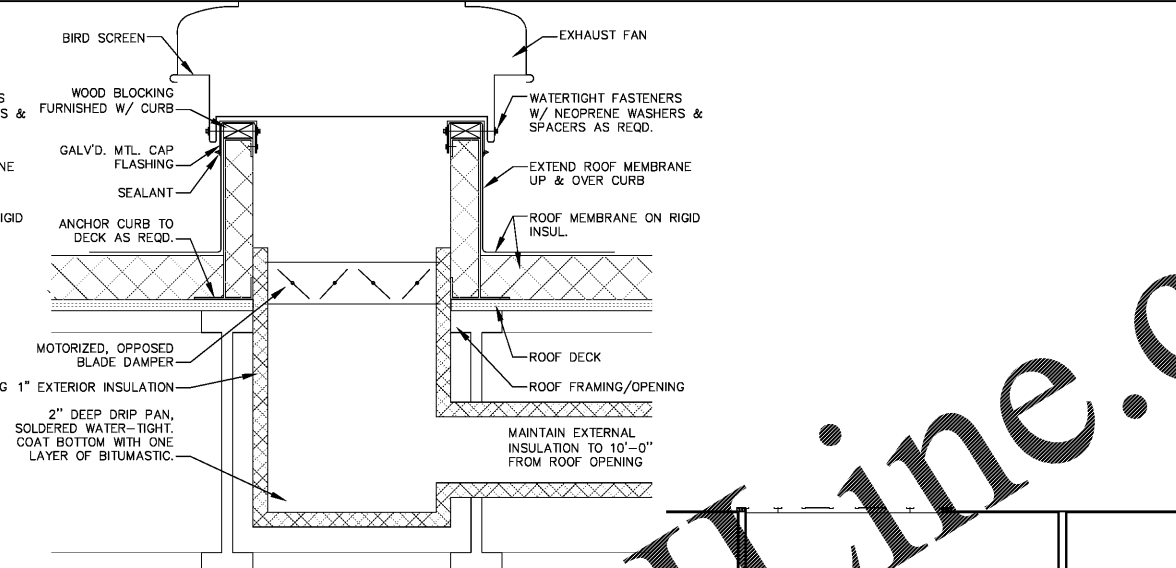


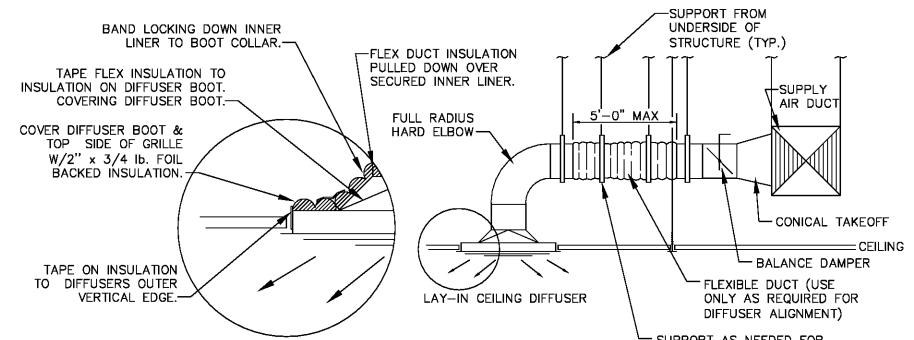
1 ROOFTOP UNIT DETAIL



2 ROOF OPENING / CURB DETAIL

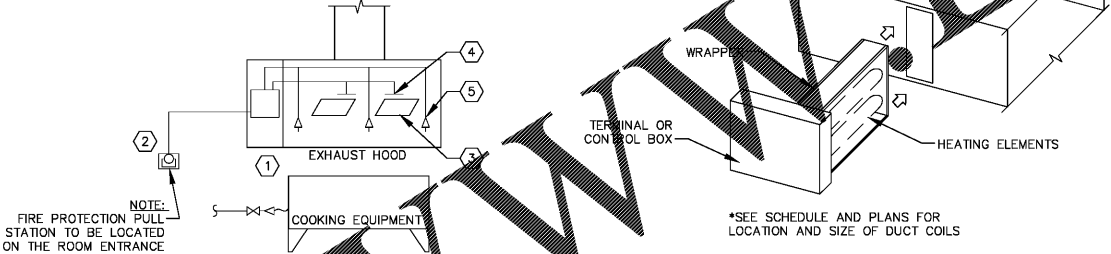


3 RESTROOM EXHAUST FAN DETAIL



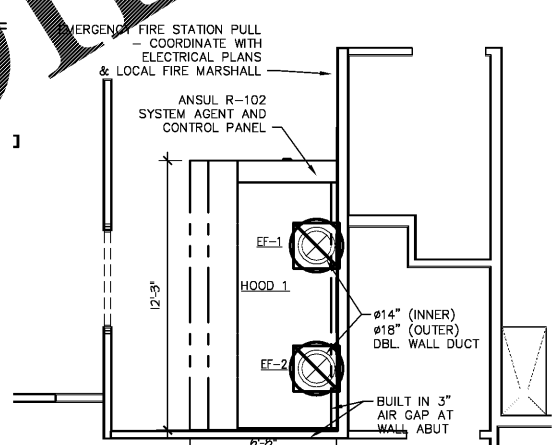
4 DUCT BRANCH - TYP. RUNOUT

- KEYED NOTES:
- 1 ANSUL R-102 SYSTEM AGENT AND CONTROL PANEL.
 - 2 REMOTE PULL STATION ACTIVATES SYSTEM MANUALLY
 - 3 GREASE EXTRACTION FILTERS
 - 4 SENSORS TO ACTIVATE SYSTEM AUTOMATICALLY.
 - 5 STAINLESS STEEL DISTRIBUTION PIPING AND NOZZLES.



5 ANSUL SYSTEM

6 DUCT HEATER INSTALLATION



7 HOOD LOCATION PLAN

ROOFTOP UNIT SCHEDULE																													
MECHANICAL REQUIREMENTS				SUPPLY FAN		HEATING SECTION				COOLING SECTION				SIZE		ELECTRICAL REQUIREMENTS				NOTES									
TAG	SERVES	SPECIFIED MFG.	MODEL NUMBER	OUTSIDE AIR MIN. %	CFM	ESP (INCHES)	FUEL	EAT (F°)	LAT (F°)	MBH INPUT	OUTPUT	TONS	CAPACITY TOTAL MBH	SENERGIC MBH	EAT (F°) DB/WB	LAT (F°) DB/WB	EER	REFRGRNT	AMBIENT (F°)		UNIT WEIGHT (LBS.)	UNIT HEIGHT (INCHES)	MCA	VOLTAGE	PHASE	DISCONNECT LOCATION	BY	CONTROL	
RTU-1	DINING	CARRIER	48TRD08	32	800	3,000	0.75	NG	39.0	84.6	180.0	147.6	12.5	94.42	70.57	83.2/69.7	11.4/60.4	11.0	R-410a	95.0	835	41.3	41.1	208	3	UNIT	FACTORY	T-STAT	1,2,3,5,6,7,8,9,10
RTU-2	KITCHEN	CARRIER	48TRD14	32	200	5,000	0.50	NG	42.9	80.9	250.0	205.1	12.5	148.03	109.5	88.7/66.7	60.4/57.4	10.80	R-410A	95.0	1116	49.4	63.2	208	3	UNIT	FACTORY	T-STAT	1,2,3,4,5,6,7,8,9

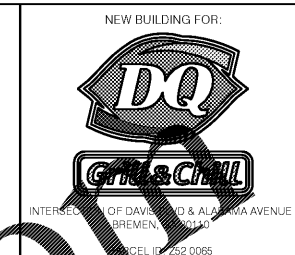
- NOTES:
- 1) UNIT SHALL START/STOP THROUGH THERMOSTAT.
 - 2) PROVIDE FACTORY MOUNTED RETURN DUCT SMOKE DETECTOR.
 - 3) PROVIDE KNOCKDOWN ROOF CURB. MECHANICAL CONTRACTOR TO INSULATE ON SITE.
 - 4) PROVIDE WITH MOTORIZED OUTSIDE AIR DAMPERS AND LOW AMBIENT CONTROL.
 - 5) PROVIDE WITH FACTORY MOUNTED THROUGH THE CURB UTILITIES.
 - 6) PROVIDE FACTORY MOUNTED AND UNPOWERED CONVENIENCE OUTLET.
 - 7) PROVIDE PROGRAMMABLE THERMOSTAT (LOCATED IN OFFICE) AND REMOTE TEMPERATURE SENSOR(S) AS NOTED ON PLAN.
 - 8) PROVIDE WITH FACTORY NON-FUSED DISCONNECTS FOR UNIT SERVICING PURPOSES.
 - 9) PROVIDE STAINLESS STEEL HEAT EXCHANGER.
 - 10) PROVIDE ENTHALPY ECONOMIZER WITH BAROMETRIC RELIEF.

ELECTRIC DUCT HEATER SCHEDULE					
TAG	MFG	MODEL	SERVES	KW	CFM
DH-1	REDDI	HF	DRIVE-THRU	3.5	500
TEMP RISE (DEG. F)	SIZE	STAGES	VOLTAGE	NOTES	
20	10x12	1	208/3/60	1,2,3	

- NOTES:
- 1) PROVIDE AIR FLOW PROVING SWITCH, PROVIDE THERMAL CUTOUT, AND DOOR INTERLOCK DISCONNECT SWITCH
 - 2) PROVIDE TRANSFORMER
 - 3) PROVIDE WALL MOUNTED ROOM THERMOSTAT

AIR DEVICE SCHEDULE					
TAG	FACE SIZE	NECK SIZE	CFM	MATERIAL	NOTES
S-1	24x24	PLAN	0-500	ALUMINUM	1,2,5
S-2	12x12	PLAN	0-100	ALUMINUM	1,2,6
S-3	24x24	PLAN	0-500	ALUMINUM	1,4,5
S-4	24x24	PLAN	0-500	ALUMINUM	1,4,7
R-1	24x24	PLAN	1000-2500	ALUMINUM	1,3,5
T-1	12x6	PLAN	0-300	ALUMINUM	1,3,5
E-1	24x6	PLAN	0-200	ALUMINUM	1,3,5
E-2	12x12	PLAN	0-100	ALUMINUM	1,3,6

- NOTES:
- 1) COLORS PER PLAN SHEET
 - 2) TIERED 4-WAY THROW PATTERN, UNLESS OTHERWISE NOTED
 - 3) EGGRATE
 - 4) PERFORATED SUPPLY, THROW PATTERN PER PLANS
 - 5) DIFFUSER TYPE FOR A DROP IN CEILING.
 - 6) DIFFUSER TYPE FOR SURFACE MOUNT, ADD REQUIRED FRAME
 - 7) REFER TO CAPTIVEAIRE SHOP DWGS FOR OF DI-PSP DIFFUSER INFORMATION.



AMERICAN DAIRY QUEEN
MINNEAPOLIS, MN USA
REGISTERED U.S. PATENT OFFICE, AMERICAN DAIRY QUEEN CORPORATION. THIS DRAWING, ITS DESIGN DETAIL AND INVENTION ARE THE PROPERTY OF AMERICAN DAIRY QUEEN INC. (ADQ) AND SHALL NOT BE COPIED IN ANY MANNER NOR DISCLOSED TO ANY OUTSIDE PARTY WITHOUT ADD CONSENT.



GEORGIA ENGINEER LICENSE
NUMBER PE025568

SPECIAL NOTICES
In the event the client consents to, allows, authorizes or approves of changes to any plans, specifications or other construction documents, and these changes are not approved in writing by the design professional, the client recognizes that such changes and the results thereof are not the responsibility of the design professional. Therefore, the client agrees to release the design professional from any liability arising from the construction, use or result of such changes. In addition, the client agrees to the fullest extent permitted by law, to indemnify and hold the design professional harmless from any damage, liability or cost (including reasonable attorney's fees and costs of defense) arising from such changes. All rights reserved. No part of this drawing may be reproduced by photocopy or by any other means, or stored, processed, or transmitted in or by any computer or other systems without the prior written permission of the Engineer.

ISSUE DATE: 10-26-18
REVISION DATE: 10-26-18 ORIGINAL ISSUE

MECHANICAL
DETAILS AND
SCHEDULES

SHEET NUMBER:
M3

Order Plans @ www.dl-line.com