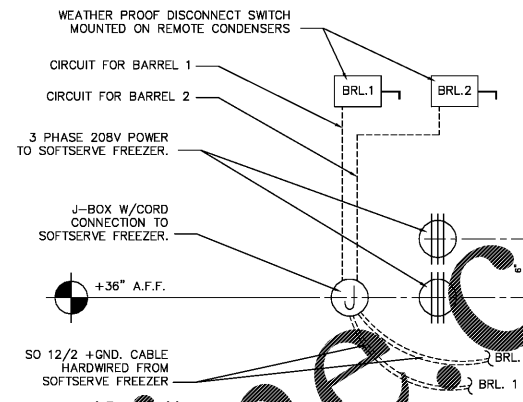
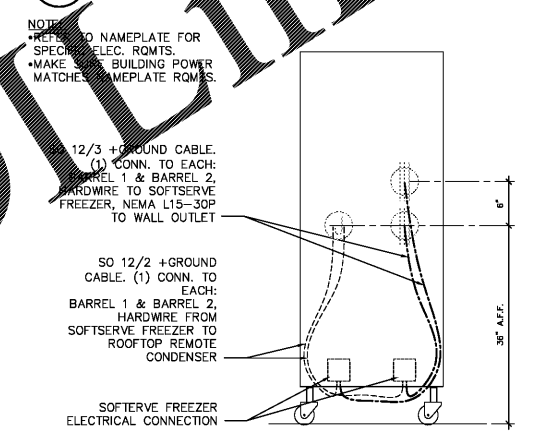


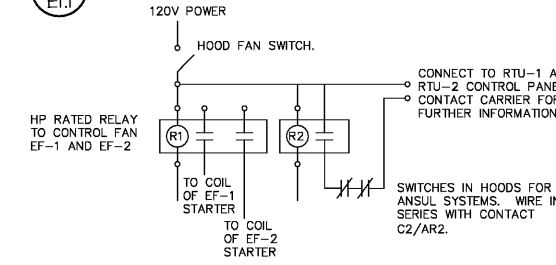
**1 POWER PLAN**  
 E.I.1 SCALE: 1/4" = 1'-0"



**2 DETAIL**  
 E.I.1



**3 DETAIL**  
 E.I.1



**4 DETAIL FOR REFERENCE**  
 E.I.1

- GENERAL NOTES**
- ALL EQUIPMENT SHALL BE WIRED TO PANEL AND CIRCUIT NUMBER SHOWN. PROVIDE ELECTRICAL CONDUIT TO PANEL IS PREFERRED, MC CABLE ONLY IF LOCAL CODES ALLOW (TYPICAL UNLESS SHOWN OTHERWISE).
  - ELECTRICAL CONTRACTOR SHALL PROVIDE ANY ADDITIONAL CONVENIENCE OUTLETS PER TENANT/OWNER, AT TENANT/OWNER'S EXPENSE.
  - IN ALL KITCHEN AREAS, ALL RECEPTACLES SHALL BE GFCI PER 2017 NEC SECTION 210.8(B)(3).
  - VERIFY LOCATIONS AND ELECTRICAL REQUIREMENTS OF ALL ROOF TOP EQUIPMENT BEFORE ROUGH-IN AND COORDINATE WORK WITH OTHER TRADES.
  - PROVIDE IVORY OUTLETS W/ IVORY PLATE IN DINING AREA
  - PROVIDE IVORY OUTLET W/ S.S. PLATE IN KITCHEN AREA
  - ALL DIMENSIONS & HEIGHTS ARE TO CENTER OF OUTLET
- KEY NOTES**
- CASH REGISTER/VIDEO MONITOR SYSTEM: WIRING FOR CASH REGISTER/VIDEO MONITOR SYSTEM SHALL BE IN SEPARATE CONDUIT FROM OTHER SYSTEMS AND SHALL HAVE INSULATED/ISOLATED GROUND CONDUCTORS. RECEPTACLES SHALL BE NEMA 5-20R-1G, E.C. VERIFY WITH OWNER/TENANT ALL WIRING RELATED TO CASH REGISTERS AND VIDEO MONITORS FOR ANY CHANGES OR ADDITIONS BASED ON ACTUAL UNITS USED.
  - ROOF TOP RECEPTACLES: E.C. TO PROVIDE AND WIRE COMPLETE GFI/WP RECEPTACLE AT OR NEAR ROOF TOP EQUIPMENT. E.C. TO WIRE COMPLETE RECEPTACLE PROVIDED ON RTU #1 AND RTU #2.
  - THIS IS A WALL THAT IS NOT FULL HEIGHT, ALL CONDUIT MUST BE ROUTED AROUND THE OPENING AND BE RUN UNDERGROUND.
  - E.C. TO MAKE FINAL CONNECTION TO COUNTER RECEPTACLES AFTER COUNTER INSTALLATION.
  - EQUIPMENT BENEATH HOODS SHALL HAVE SHUNT TRIP BREAKERS INTERLOCKED WITH FIRE EXTINGUISHING SYSTEM. E.C. TO PROVIDE 120V POWER FOR CONTROLS. SEE PANEL SCHEDULE E4.
  - E.C. TO PROVIDE AN EMPTY BOX AND 1/2" CONDUIT STUBBED TO ACCESSIBLE CEILING SPACE FOR PHONE SERVICE. COORDINATE ADDITIONAL PHONE SERVICE LOCATIONS PER OWNER'S REQUEST. FINAL TERMINATION OF PHONE JACKS BY COMMUNICATIONS CONTRACTOR.
  - AT THIS LOCATION, E.C. TO PROVIDE PROPERLY SIZED SERVICES FOR THE FOLLOWING ITEMS: 120V/1PH - COMPUTER; 120V/1PH - MONITOR; 120V/1PH - PRINTER/FAX; 120V/1PH ADDING MACHINE; 120V/1PH - CONVENIENCE OUTLET; 120V/1PH WITH ISOLATED AND INSULATED GROUND FOR POS SYSTEM; JUNCTION BOX(ES) - TELEPHONE/DATA LINES; OPEN JUNCTION BOXES FOR STORE SECURITY SYSTEM; OPEN JUNCTION BOXES FOR STORE MUSIC/PACK SYSTEM.
  - HOOD CONTROL PANEL AND ANSUL SYSTEMS: E.C. TO PROVIDE JUNCTION BOX AND (1) 20A CIRCUIT FOR HOOD CONTROL PANEL AND ANSUL SYSTEM CONNECTION. VERIFY ALL CONNECTIONS WITH OTHER TRADES BEFORE ROUGH-IN. IN CASE OF FIRE UNDER HOOD, EXHAUST FANS SHALL RUN AND RTU-1 AND RTU-2 SHALL SHUT DOWN. VERIFY REQUIREMENTS WITH AUTHORITY HAVING JURISDICTION AND PROVIDE ALL WIRING, RELAYS, ETC. FOR A COMPLETE AND WORKING SYSTEM. SEE MECHANICAL HOOD SHEETS FOR MORE INFORMATION.
  - SERVICE FOR THE CONDENSING UNIT COMES FROM THE SOFTSERVE FREEZER (J BOX ON BACKSIDE OF THE SOFTSERVE FREEZER, SEE DETAIL 2/E.I.1 & 3/E.I.1). ALSO PROVIDE A 10 AMP 2 POLE DISCONNECT SWITCH AT THE ROOF MOUNTED CONDENSING UNIT. (1) SO 12/2 + GND. CABLE HARDWIRED FROM SOFTSERVE FREEZER TO ROOF TOP REMOTE CONDENSER.
  - E.C. TO PROVIDE JUNCTION BOX AND TOGGLE SWITCH DISCONNECT FOR DRAIN LINE HEAT TAPE.
  - USE RECEPTACLES, LEAD AND PANEL SEYMOUR FED SPEC TAMPER-RESISTANT SINGLE RECEPTACLE WITH USB CHARGING (TR5261USB), 15 AMP/125V, NEMA 5-20R, IVORY UNIT WITH IVORY PLATE
  - ELECTRIC HAND DRYER PROVIDED BY G.C., INSTALLED BY E.C. INSTALL PER MANUFACTURER'S RECOMMENDATIONS.
  - MENU BOARD CONTACTS TO BE INSTALLED HORIZONTAL
  - E.C. TO PROVIDE AN EMPTY BOX AND 1/2" CONDUIT TO ACCESSIBLE CEILING SPACE FOR FUTURE EQUIPMENT NEEDS. FIELD VERIFY J-BOX MOUNTING HEIGHT PRIOR TO ROUGH-IN.

**EQUIPMENT/HVAC NOTES (GRILL & CHILL)**

DH-1 DUCT HEATER #1: 208V/3PH, 3.5KW, E.C. TO PROVIDE 30A-3P NEMA 1 NON-FUSED DISCONNECT. PROVIDE JUNCTION BOX AND 1/2" EMPTY CONDUIT WITH PULL LINE STUBBED TO ACCESSIBLE CEILING SPACE FOR THERMOSTAT PROVIDED BY OTHERS. E.C. TO PROVIDE NYLON BUSHINGS. COORDINATE LOCATION WITH MECHANICAL DRAWINGS.	20 SOFTSERVE FREEZER: 208-230V, 3 PHASE - PROVIDE 10GA. x8"-0" LONG, 3 WIRE W/ GROUND CORD AND NEMA L15-30 PLUG & RECEPTACLE PER BARREL, TYPICALLY (2) CONNECTIONS PER SOFTSERVE FREEZER. SOFTSERVE CONDENSER: POWER HARDWIRED FROM SOFTSERVE FREEZER, PROVIDE WP 10A, 2 POLE DISCONNECT AT EACH CONDENSER
EF-1 EXHAUST FAN #1 AND #2: 3/4 HP-120V/1PH. ELECTRICAL CONTRACTOR TO FIELD WIRE KITCHEN FANS CONTROL SWITCH PROVIDED BY HOOD MANUFACTURER TO EXHAUST HOOD AND HOOD LIGHTING. ELECTRICAL CONTRACTOR FIELD WIRE SHUNT TRIP BREAKERS TO SPARE RELAY CONTACTS IN KITCHEN FAN CONTROL SWITCH. FIELD VERIFY AND COORDINATE WITH OTHER TRADES. STARTER TO BE MOUNTED BELOW CEILING ADJACENT TO THE HOOD.	2E HIGH CAPACITY ARCTIC RUSH FREEZER: E.C. TO PROVIDE H.C. DUKE: 230V/1PH, NEMA 6-30 PLUG & RECEPTACLE AND APPROXIMATELY 6' CORD.
EF-3 EXHAUST FAN #3: 1/4 HP-120V-1PH. WP TOGGLE SWITCH ON UNIT BY MANUFACTURER. CONNECT TO RESTROOM LIGHTING CIRCUIT. PROVIDE RELAYS AND MISCELLANEOUS HARDWARE AS REQUIRED.	304 OPTIONAL COFFEE MAKER: 120/240V/1PH. E.C. TO VERIFY CORRECT NEMA RECEPTACLE AND PLUG WITH EQUIPMENT PROVIDED AND PROVIDE AS REQUIRED.
RTU-1 ROOFTOP UNIT #1: 208V/3PH. E.C. TO MAKE FINAL CONNECTIONS TO SERVICE DISCONNECT AND GFI RECEPTACLE PROVIDED ON UNIT. PROVIDE JUNCTION BOX AND 1/2" EMPTY CONDUIT WITH PULL LINE STUBBED TO ACCESSIBLE CEILING SPACE FOR THERMOSTAT PROVIDED BY OTHERS. E.C. TO PROVIDE NYLON BUSHINGS. COORDINATE LOCATION WITH MECHANICAL DRAWINGS.	503 BOOST OVEN: 208V/1PH. E.C. TO PROVIDE NEMA 6-20R RECEPTACLE. CORD & PLUG INCLUDED WITH UNIT. 685
RTU-2 ROOFTOP UNIT #2: 208V/3PH. E.C. TO MAKE FINAL CONNECTIONS TO SERVICE DISCONNECT AND GFI RECEPTACLE PROVIDED ON UNIT. PROVIDE JUNCTION BOX AND 1/2" EMPTY CONDUIT WITH PULL LINE STUBBED TO ACCESSIBLE CEILING SPACE FOR THERMOSTAT PROVIDED BY OTHERS. E.C. TO PROVIDE NYLON BUSHINGS. COORDINATE LOCATION WITH MECHANICAL DRAWINGS.	687 BUN TOASTER: 208V/1PH. E.C. TO PROVIDE NEMA 6-20R RECEPTACLE. CORD AND PLUG INCLUDED WITH UNIT.
MUA-1 MAKE-UP AIR UNIT #1: 208V/3PH. E.C. TO MAKE FINAL CONNECTIONS TO SERVICE DISCONNECT FOR SUPPLY FAN AND SERVICE DISCONNECT FOR CONDENSING UNIT. COORDINATE LOCATION WITH MECHANICAL DRAWINGS. ELECTRICAL CONTRACTOR TO FIELD WIRE MAKE-UP AIR FAN CONTROL SWITCH PROVIDED BY HOOD MANUFACTURER TO EXHAUST HOOD CONTROL PANEL. VERIFY EXACT REQUIREMENTS WITH HOOD MANUFACTURER. SEE HOOD DRAWINGS FOR MORE INFORMATION.	80 BLAST FREEZER: E.C. TO VERIFY CORRECT NEMA RECEPTACLE REQUIRED FOR EQUIPMENT PROVIDED AND PROVIDE AS REQUIRED. CORD AND PLUG PROVIDED WITH UNIT.
1F DISPLAY FREEZER: 115V/60/1, E.C. TO PROVIDE 8' OF CORD AND NEMA L5-15 PLUG & RECEPTACLE FOR EACH FREEZER.	8E2 WALK-IN FREEZER/COOLER CONDENSER: 208-230V/60/3, PRE-WIRED ELECTRICAL PANEL WITH ONE-POINT CONNECTION AND A DISCONNECT SWITCH INCLUDED. E.C. TO MAKE FINAL CONNECTION.
1F1 ROOF TOP COMPRESSOR: 208-230V/60/1, E.C. PROVIDE WATERPROOF 30A FUSED DISCONNECT SWITCH FOR EACH UNIT. E.C. TO MAKE FINAL CONNECTION.	6E4 WALK-IN FREEZER EVAPORATOR (LOW TEMP): 208-230V/60/1; CONSULT MANUFACTURER'S WIRING DIAGRAM AND INSTALLATION INSTRUCTIONS FOR LOCATIONS OF AND WIRING INFORMATION OF ALL CONTROLS.
	6E5 WALK-IN COOLER EVAPORATOR (MED TEMP): 115V/60/1; CONSULT MANUFACTURER'S WIRING DIAGRAM AND INSTALLATION INSTRUCTIONS FOR LOCATIONS OF AND WIRING INFORMATION OF ALL CONTROLS.
	8K ICE MAKER AND REMOTE CONDENSER: 208V/1PH. E.C. TO PROVIDE NEMA 6-20 PLUG & RECEPTACLE W/ APPROX. 4' CORD FOR THE ICE MAKER. E.C. TO PROVIDE APPROX. 4' OF FLEXIBLE SEAL TIGHT CONDUIT BETWEEN FLUSH MOUNTED WALL JUNCTION BOX AND SERVICE JUNCTION BOX LOCATED ON BACK OF ICE MAKER. E.C. TO PROVIDE 20A/2P W.P. DISCONNECT SWITCH FUSED AT 20A ON REMOTE CONDENSER. FIELD VERIFY REQUIREMENTS BEFORE ROUGH-IN. VERIFY EXACT REQUIREMENTS WITH EQUIPMENT PROVIDED IN FIELD PRIOR TO COMMENCING WORK.

NEW BUILDING FOR:

INTERSECTION OF DAVENPORT & ALABAMA AVENUE  
 BREMEN, MN 55420  
 CELL # 252 0065

AMERICAN DAIRY QUEEN  
 CORPORATION, THIS DRAWING, ITS DESIGN  
 DETAIL AND INVENTION ARE THE PROPERTY OF  
 AMERICAN DAIRY QUEEN INC. (ADQ) AND SHALL NOT BE  
 COPIED IN ANY MANNER NOR DISCLOSED TO ANY  
 OUTSIDE PARTY WITHOUT ADQ CONSENT.



GEORGIA ENGINEER LICENSE  
 NUMBER PE025568

**SPECIAL NOTICES**

In the event the client consents to, allows, authorizes or approves of changes to any plans, specifications or other construction documents, and these changes are not approved in writing by the design professional, the client recognizes that such changes and the results thereof are not the responsibility of the design professional. Therefore, the client agrees to release the design professional from any liability arising from the construction, use or result of such changes. In addition, the client agrees to the fullest extent permitted by law, to indemnify and hold the design professional harmless from any damage, liability or cost (including reasonable attorney's fees and costs of defense) arising from such changes. All rights reserved. No part of this drawing may be reproduced by photocopy or by any other means, or stored, processed, or transmitted in any computer or other systems without the prior written permission of the Engineer.

ISSUE DATE: 10-26-18  
 REVISION DATE: 10-26-18 ORIGINAL ISSUE

**ELECTRICAL POWER PLAN**

SHEET NUMBER:  
**E1.1**