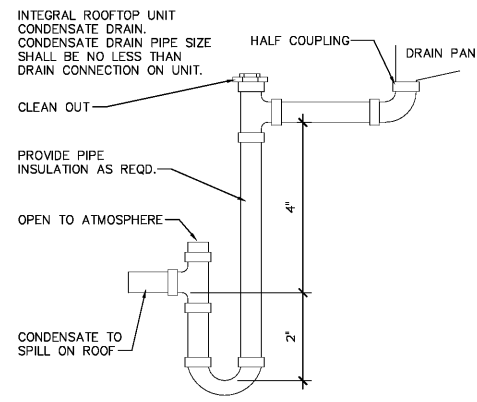


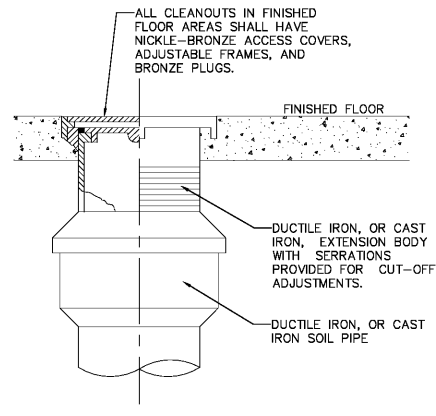
1 DOUBLE CLEANOUT DETAIL

P5



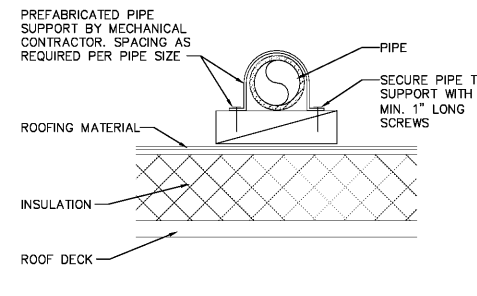
2 CONDENSATE DRAIN DETAIL

P5



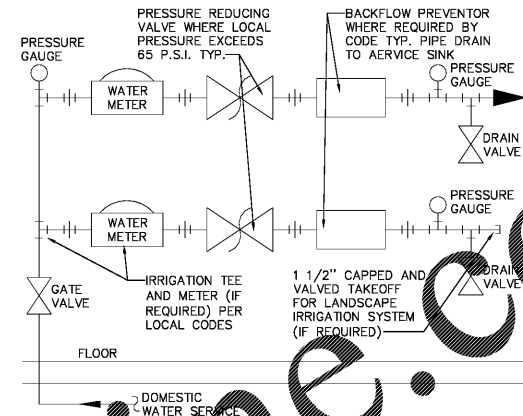
3 CLEANOUT DETAIL

P5



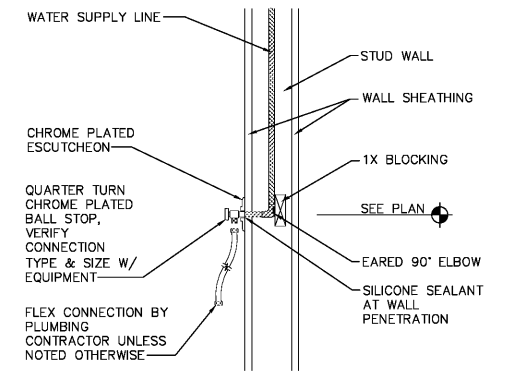
4 ROOF PIPE SUPPORT DETAIL

P5



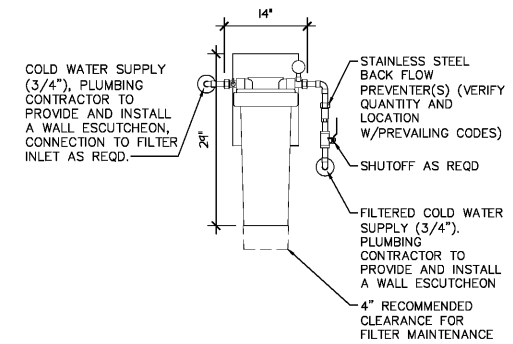
5 WATER METER DETAIL

P5



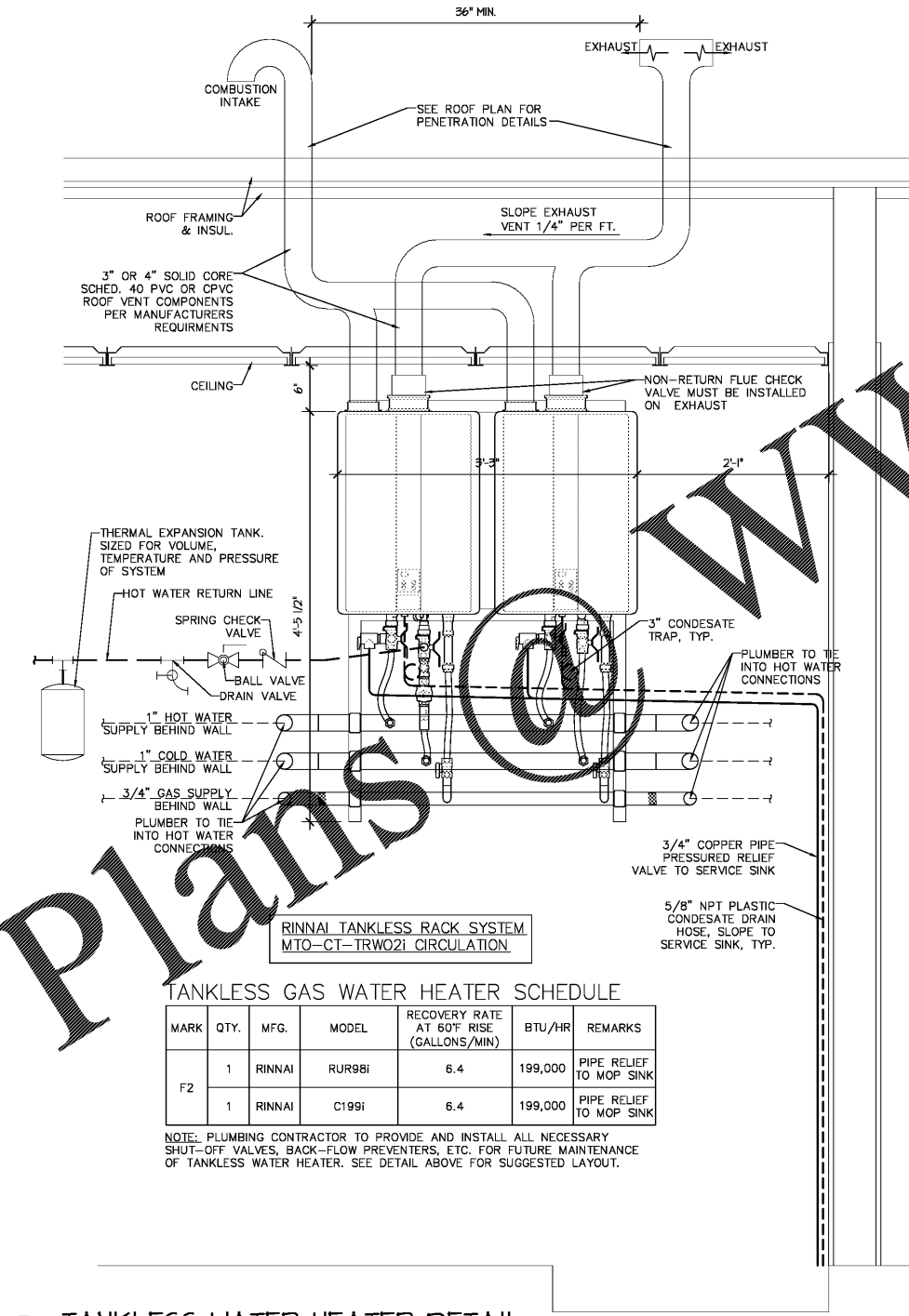
6 TYP. WATER SUPPLY CONN.

P4



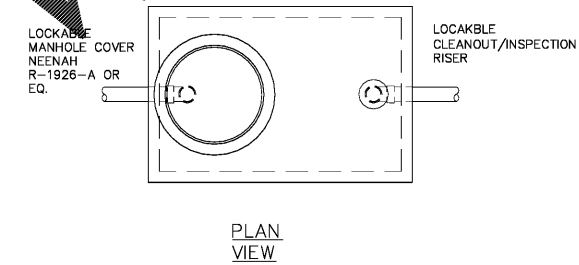
7 WATER FILTER DETAIL

P5

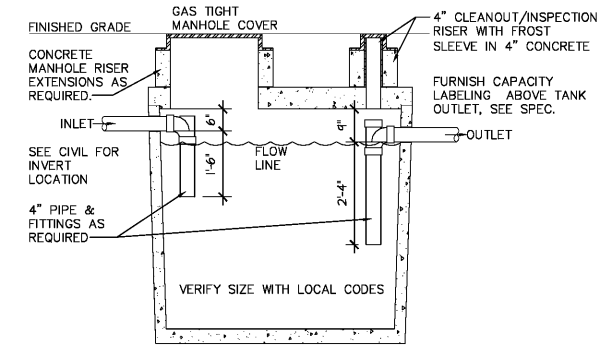


8 TANKLESS WATER HEATER DETAIL

P5



PLAN VIEW



SECTION VIEW

TANKLESS GAS WATER HEATER SCHEDULE

MARK	QTY.	MFG.	MODEL	RECOVERY RATE AT 60° F RISE (GALLONS/MIN)	BTU/HR	REMARKS
F2	1	RINNAI	RUR98i	6.4	199,000	PIPE RELIEF TO MOP SINK
	1	RINNAI	C199i	6.4	199,000	PIPE RELIEF TO MOP SINK

NOTE: PLUMBING CONTRACTOR TO PROVIDE AND INSTALL ALL NECESSARY SHUT-OFF VALVES, BACK-FLOW PREVENTERS, ETC. FOR FUTURE MAINTENANCE OF TANKLESS WATER HEATER. SEE DETAIL ABOVE FOR SUGGESTED LAYOUT.

- GREASE INTERCEPTOR REQUIRED MAINTENANCE:
1. REMOVE COVER
 2. REMOVE GREASE FROM TOP OF SEPARATION CHAMBER.
 3. REMOVE ANY SOLIDS FROM BOTTOM OF CHAMBER.
 4. INSPECT INTERCEPTOR AND CLEAN IF NECESSARY.
 5. MAKE CERTAIN ALL PASSAGES INCLUDING RELIEF ARE CLEAR OF OBSTRUCTIONS.
 6. CHECK INTEGRITY OF BAFFLES AND MAKE SURE THEY ARE IN PLACE.
 7. REPLACE COVER.
 8. TIGHTEN COVER HOLD DOWN BOLTS, SCREWS OR LATCHES.
 9. CLEAN GREASE INTERCEPTOR WEEKLY, IF GREASE INTERCEPTOR IS MORE THAN 50% FULL, INCREASE FREQUENCY OF CLEANING.
 10. KEEP A MAINTENANCE LOG LISTING THE FREQUENCY OF CLEANING AND VOLUME OF GREASE.

9 GREASE INTERCEPTOR DETAIL

P5



AMERICAN DAIRY QUEEN CORPORATION, THIS DRAWING, ITS DESIGN DETAIL AND INVENTION ARE THE PROPERTY OF AMERICAN DAIRY QUEEN INC. (ADQ) AND SHALL NOT BE COPIED IN ANY MANNER NOR DISCLOSED TO ANY OUTSIDE PARTY WITHOUT ADD CONSENT.



GEORGIA ENGINEER LICENSE NUMBER PE025568

SPECIAL NOTICES
In the event the client consents to, allows, authorizes or approves of changes to any plans, specifications or other construction documents, and these changes are not approved in writing by the design professional, the client recognizes that such changes and the results thereof are not the responsibility of the design professional. Therefore, the client agrees to release the design professional from any liability arising from the construction, use or result of such changes. In addition, the client agrees to the fullest extent permitted by law, to indemnify and hold the design professional harmless from any damage, liability or cost (including reasonable attorney's fees and costs of defense) arising from such changes. All rights reserved. No part of this drawing may be reproduced by photocopy or by any other means, or stored, processed, or transmitted in or by any computer or other systems without the prior written permission of the Engineer.

ISSUE DATE: 10-26-18

REVISION DATE: 10-26-18 ORIGINAL ISSUE

PLUMBING DETAILS

SHEET NUMBER:

P5

Order Plans

WWW.LDILINE.COM