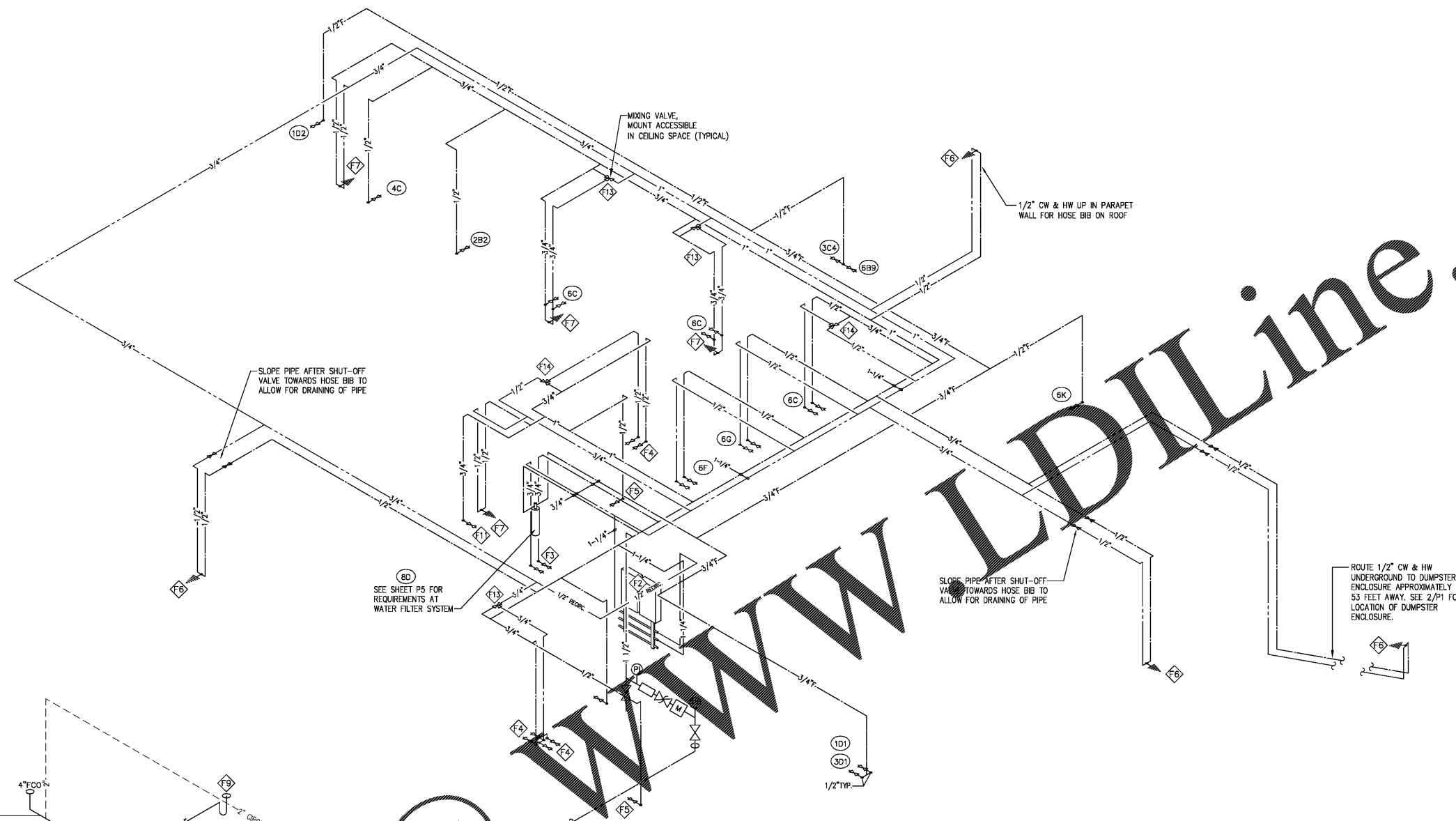


NEW BUILDING FOR:

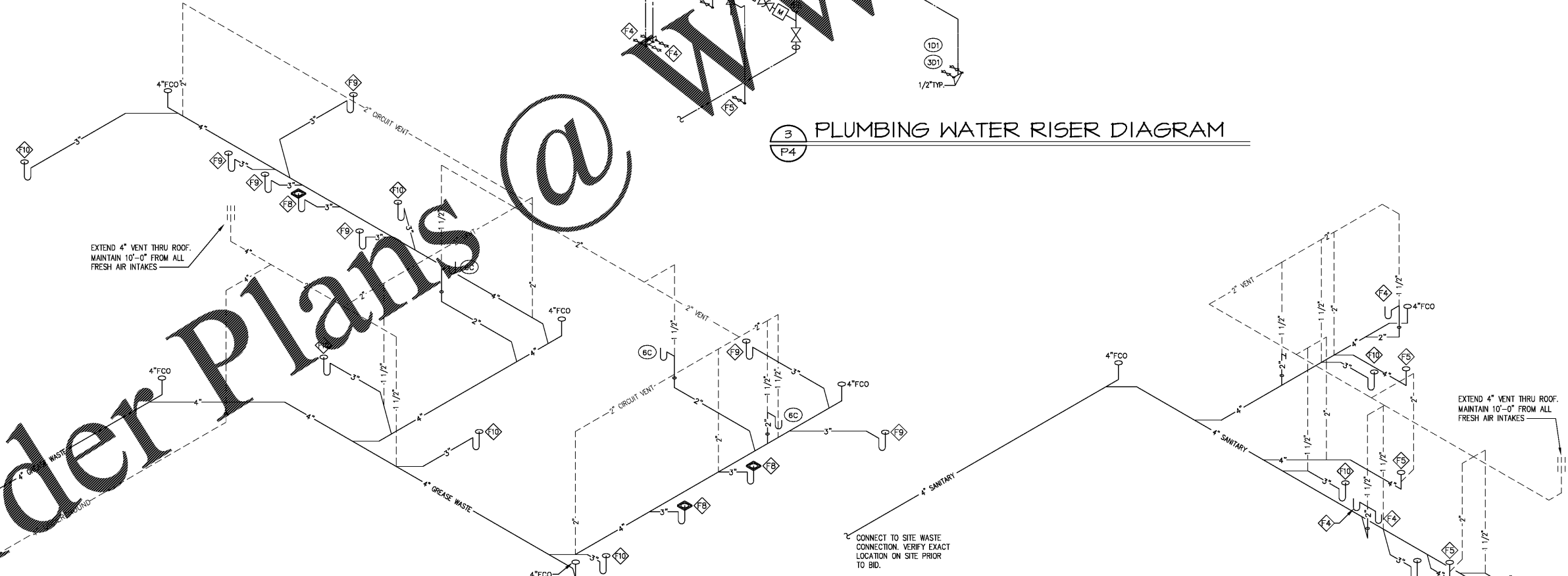


INTERSECTION OF DAVENPORT & ALABAMA AVENUE
BREMEN, MISSISSIPPI
PROJECT NO. 252 0065

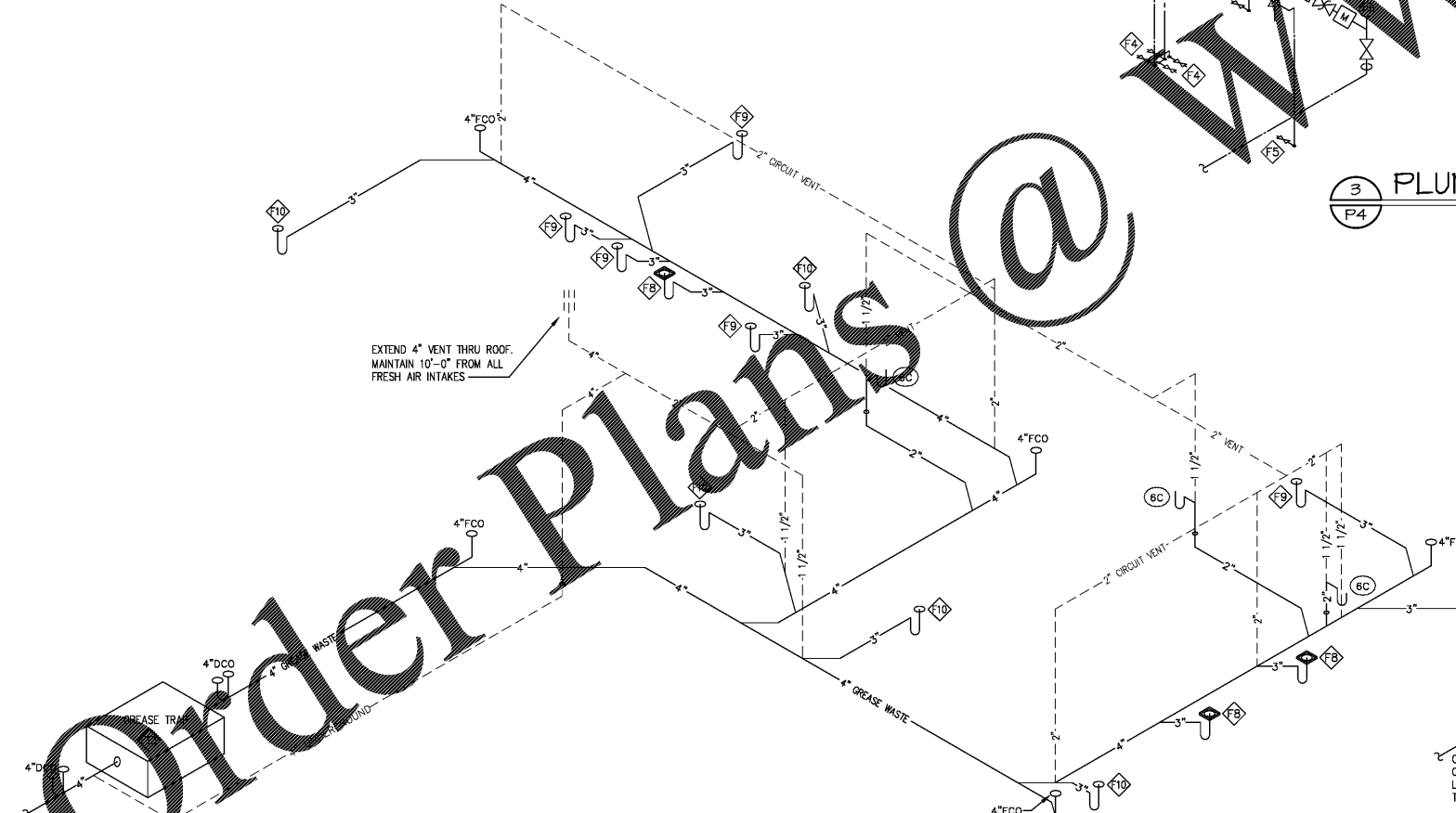
AMERICAN DAIRY QUEEN
MINNEAPOLIS, MN U.S.A.
REGISTERED U.S. PATENT OFFICE, AMERICAN DAIRY
QUEEN CORPORATION. THIS DRAWING, ITS DESIGN
DETAIL AND INVENTION ARE THE PROPERTY OF
AMERICAN DAIRY QUEEN INC. (ADQ) AND SHALL NOT BE
COPIED IN ANY MANNER NOR DISCLOSED TO ANY
OUTSIDE PARTY WITHOUT ADD. CONSENT.



3 PLUMBING WATER RISER DIAGRAM
P4



1 SANITARY WASTE RISER DIAGRAM
P4



2 GREASE WASTE RISER DIAGRAM
P4



GEORGIA ENGINEER LICENSE
NUMBER PE025568

SPECIAL NOTICES
In the event the client consents to, allows, authorizes or approves of changes to any plans, specifications or other construction documents, and these changes are not approved in writing by the design professional, the client recognizes that such changes and the results thereof are not the responsibility of the design professional. Therefore, the client agrees to release the design professional from any liability arising from the construction, use or result of such changes. In addition, the client agrees to the fullest extent permitted by law, to indemnify and hold the design professional harmless from any damage, liability or cost (including reasonable attorney's fees and costs of defense) arising from such changes. All rights reserved. No part of this drawing may be reproduced by photocopy or by any other means, or stored, processed, or transmitted in or by any computer or other systems without the prior written permission of the Engineer.

ISSUE DATE: 10-26-18

REVISION DATE:
10-26-18 ORIGINAL ISSUE

PLUMBING RISER DIAGRAMS

SHEET NUMBER:

P4