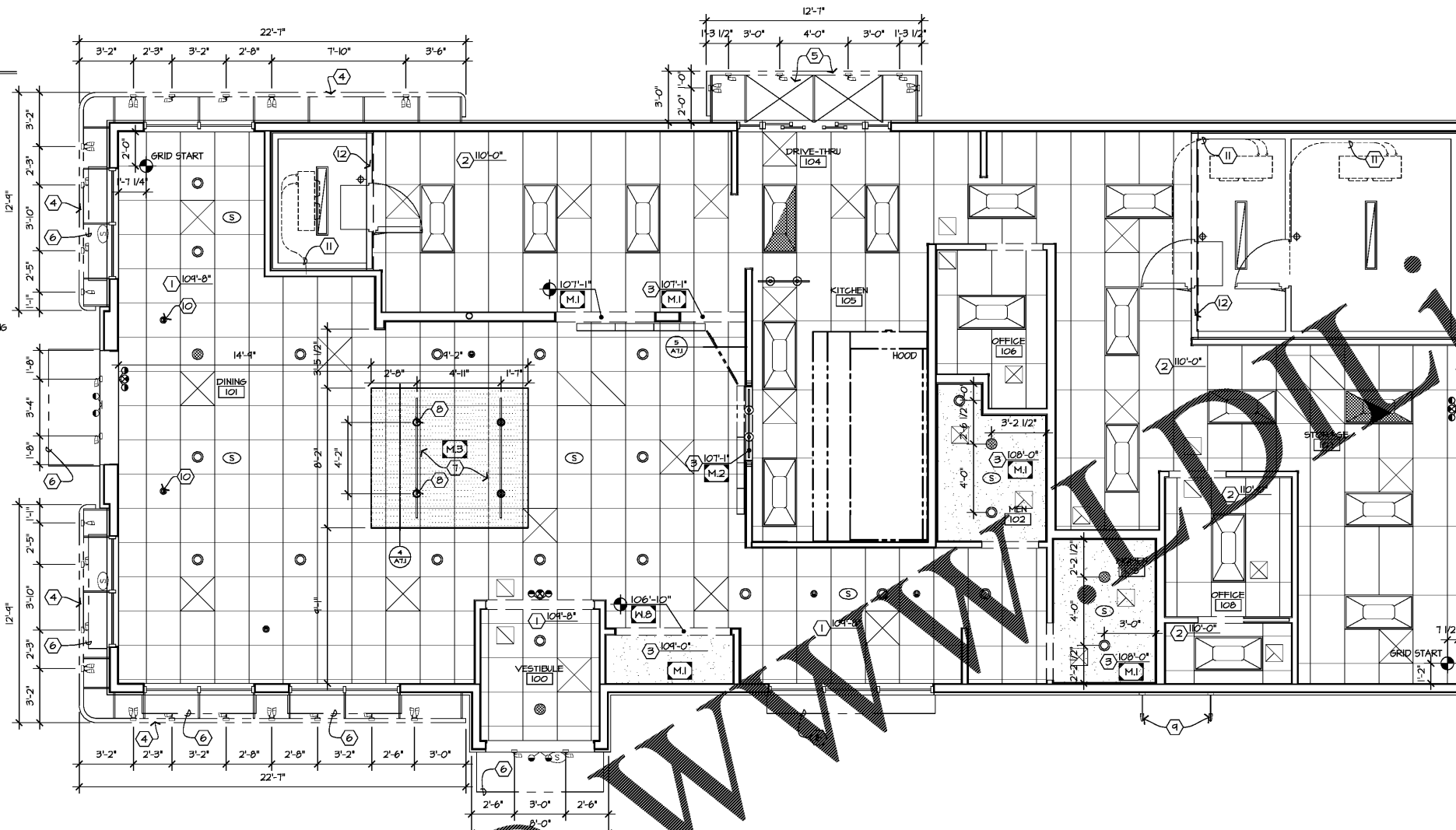
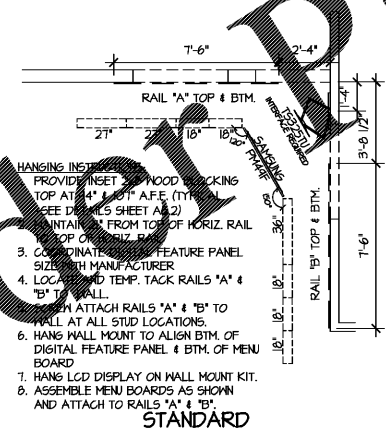


REFLECTED CEILING PLAN NOTES

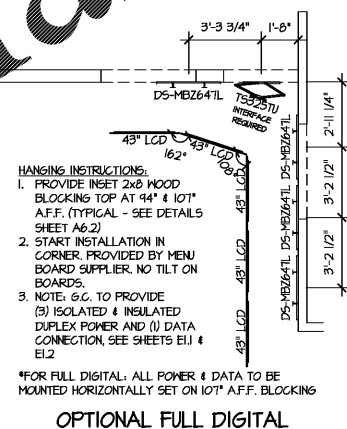
- 1 DINING AREA SUSPENDED CEILING "M24"
- 2 KITCHEN & STORAGE SUSPENDED CEILING "M28"
- 3 GYP. BD. CEILING
- 4 EXTERIOR BLACK METAL EYEBROW
- 5 EXTERIOR SILVER METAL CANOPY & RAINGREEN
- 6 EXTERIOR FABRIC AWNING
- 7 CEILING ELEMENT (SEE F SHEETS), PROVIDED AS PART OF EQUIPMENT PACKAGE, INSTALLED BY G.C.
- 8 CENTER PENDANT LIGHT OVER TABLE BELOW
- 9 EXTERIOR POSTER LIGHTS - SEE SHEET A31 FOR LOCATION
- 10 CENTER LIGHT ON MALL
- 11 PRE-CHARGED LINESET MOUNTED/SECURED TO WALK-IN CEILING - REFER TO A22 FOR ROOF PENETRATION LOCATION AND DETAILS. REFER TO MANUFACTURER SPECIFICATIONS FOR TYPICAL PENETRATION REQUIREMENTS.
- 12 INSTALL BOTTOM OF SOFFIT TO TOP OF COOLER BOX ONCE INSTALLED. GLAD ALL SIDES OF THE SOFFIT W/ M.I.



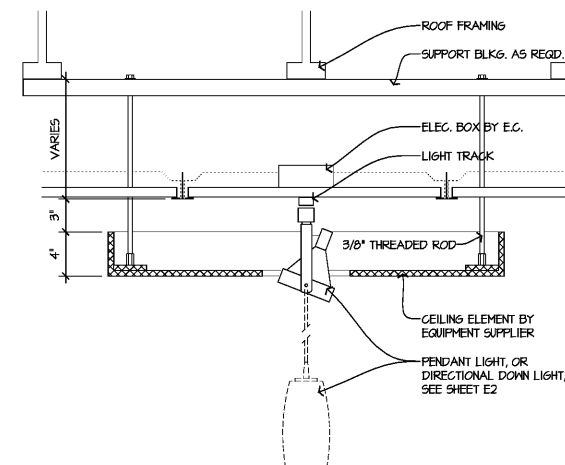
1 REFLECTED CEILING PLAN  
A7.1 SCALE: 1/4" = 1'-0"



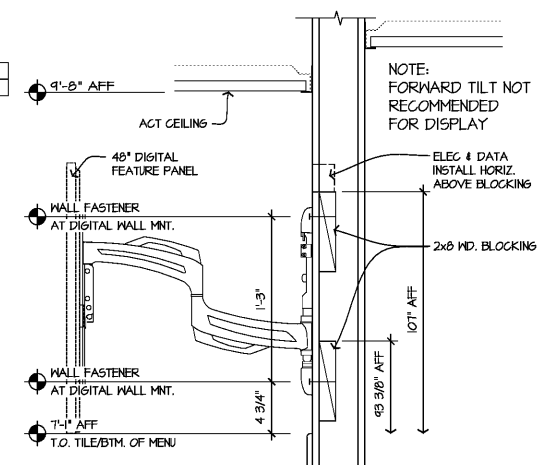
2 CORE47 MENU BOARD LAYOUT  
A7.1 SCALE: 1/4" = 1'-0"



3 NOT USED  
A7.1



4 CEILING ELEMENT DETAIL  
A7.1 SCALE: 1/2" = 1'-0"



5 DIGITAL MENU BOARD  
A7.1 SCALE: 1/2" = 1'-0"

NEW BUILDING FOR:



INTERSECTION OF WISCONSIN BLVD & ALABAMA AVENUE  
BREVARD, GA 31110  
PARCEL ID: Z52 0065

AMERICAN DAIRY QUEEN  
MINNEAPOLIS, MN U.S.A.  
REGISTERED U.S. PATENT OFFICE. AMERICAN DAIRY QUEEN CORPORATION. THIS DRAWING, ITS DESIGN DETAIL AND INVENTION ARE THE PROPERTY OF AMERICAN DAIRY QUEEN INC. (ADQ) AND SHALL NOT BE COPIED IN ANY MANNER NOR DISCLOSED TO ANY OUTSIDE PARTY WITHOUT ADQ CONSENT.



GEORGIA ARCHITECT LICENSE  
NUMBER RA014022

SPECIAL NOTICES  
In the event the client consents to, allows, authorizes or approves of changes to any plans, specifications or other construction documents, and these changes are not approved in writing by the design professional, the client recognizes that such changes and the results thereof are not the responsibility of the design professional. Therefore, the client agrees to release the design professional from any liability arising from the construction, use or result of such changes. In addition, the client agrees to the fullest extent permitted by law, to indemnify and hold the design professional harmless from any damage, liability or cost (including reasonable attorney's fees and costs of defense) arising from such changes. Copyright © 2018 by John S. Odum, Architect. All rights reserved. No part of this drawing may be reproduced by photocopy or by any other means, or stored, processed, or transmitted in or by any computer or other systems without the prior written permission of the Architect.

ISSUE DATE: 11-01-18

REVISION DATE:  
11-01-18 ORIGINAL ISSUE

REFLECTED  
CEILING PLAN

SHEET NUMBER:

A7.1