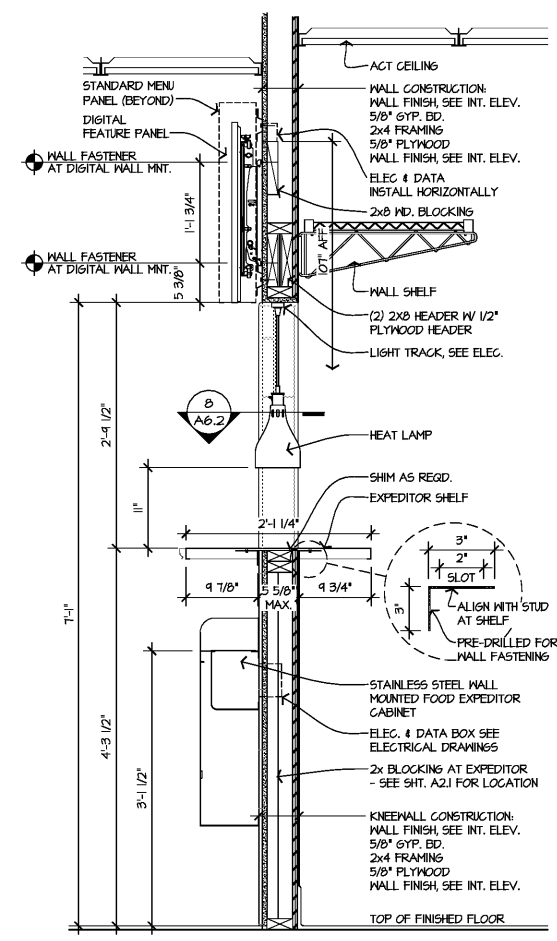
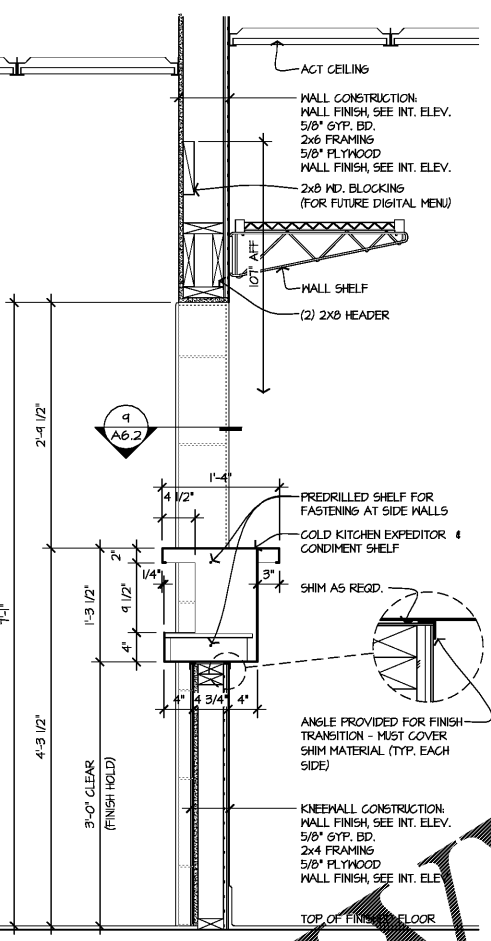


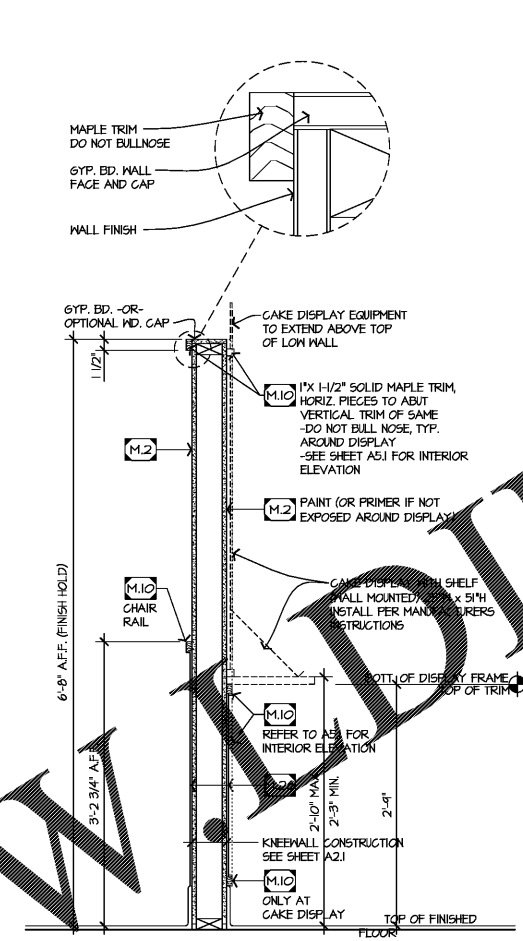
1 KNEEWALL SECTION  
 A6.2 SCALE: 1" = 1'-0"



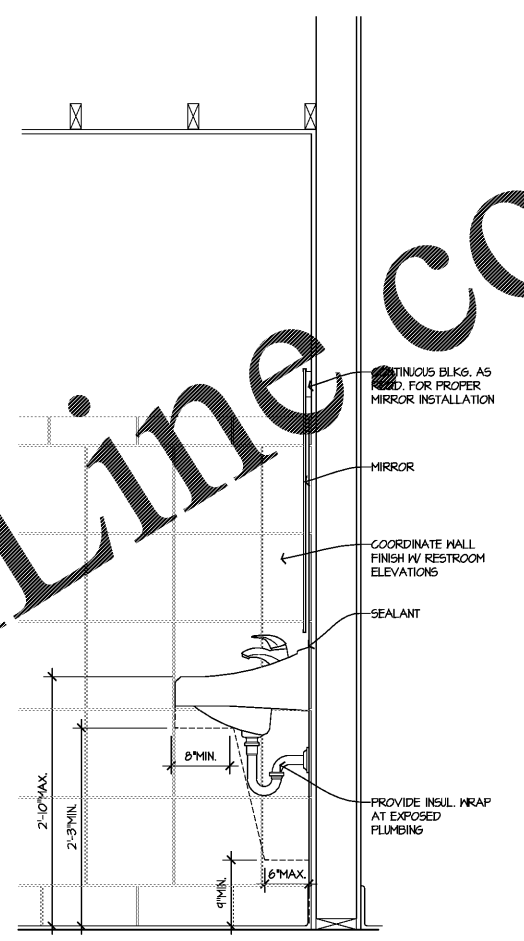
2 GRILL PASS-THRU SECTION  
 A6.2 SCALE: 1" = 1'-0"



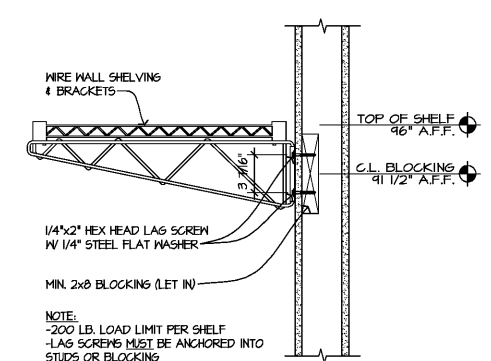
3 CHILL KITCHEN PASS-THRU  
 A6.2 SCALE: 1" = 1'-0"



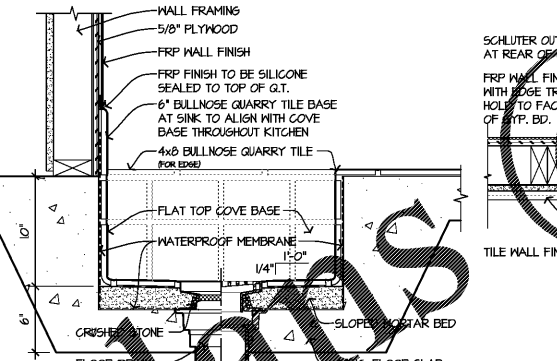
4 PARTIAL HEIGHT WALL SECTION  
 A6.2 SCALE: 1" = 1'-0"



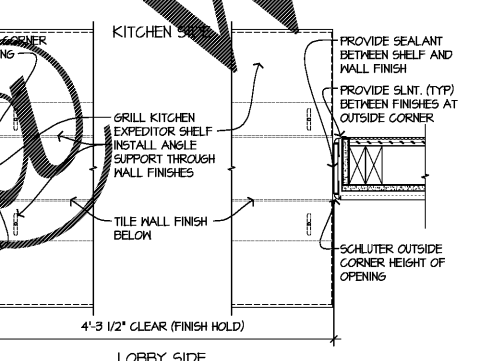
5 LAVATORY SECTION  
 A6.2 SCALE: 1" = 1'-0"



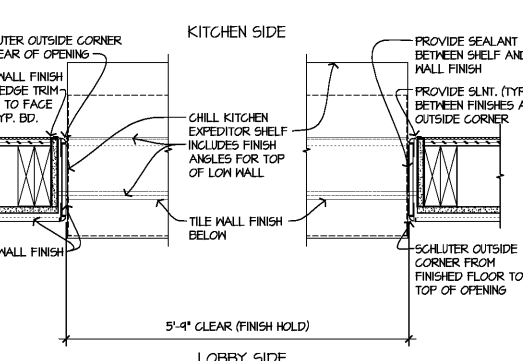
6 SHELVING DETAIL  
 A6.2 SCALE: 1 1/2" = 1'-0"



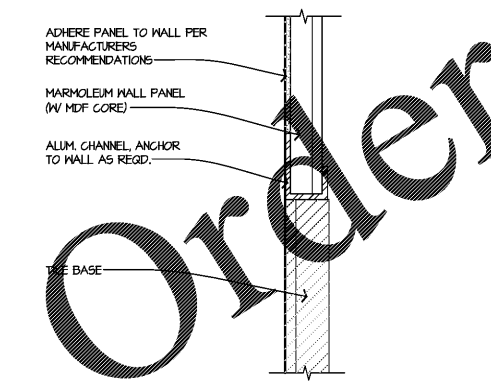
7 MARMOLEUM SINK DETAIL  
 A6.2 SCALE: 1 1/2" = 1'-0"



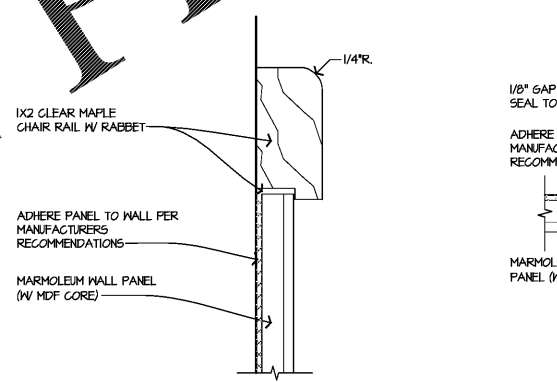
8 GRILL PASS-THRU DETAIL  
 A6.2 SCALE: 1 1/2" = 1'-0"



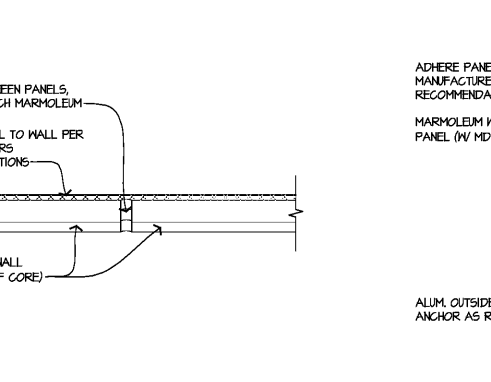
9 CHILL KITCHEN PASS-THRU DETAIL  
 A6.2 SCALE: 1 1/2" = 1'-0"



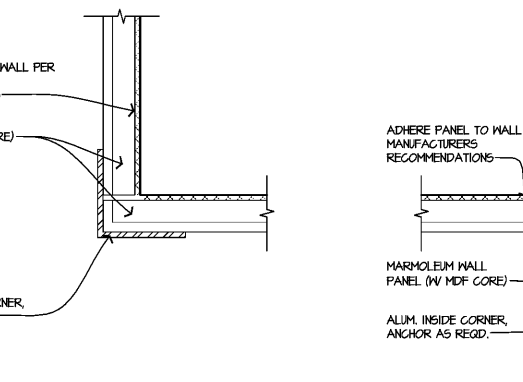
10 MARMOLEUM BASE DETAIL  
 A6.2 SCALE: FULL



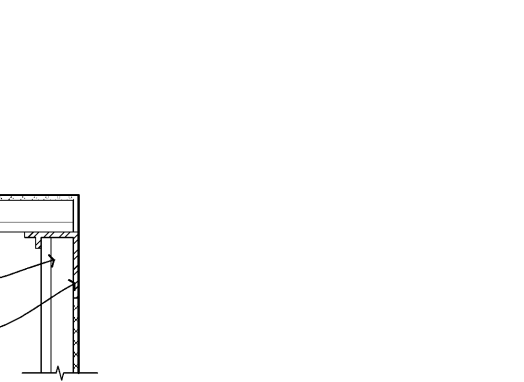
11 MARMOLEUM CHAIR RAIL DETAIL  
 A6.2 SCALE: FULL



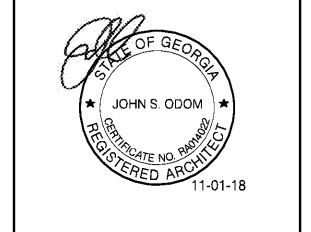
12 MARMOLEUM SEAM DETAIL  
 A6.2 SCALE: FULL



13 MARMOLEUM CORNER DETAIL  
 A6.2 SCALE: FULL



14 MARMOLEUM CORNER DETAIL  
 A6.2 SCALE: FULL



GEORGIA ARCHITECT LICENSE  
 NUMBER RA014022  
 SPECIAL NOTICES  
 In the event the client consents to, allows, authorizes or approves of changes to any plans, specifications or other construction documents, and these changes are not approved in writing by the design professional, the client recognizes that such changes and the results thereof are not the responsibility of the design professional. Therefore, the client agrees to release the design professional from any liability arising from the construction, use or result of such changes. In addition, the client agrees to the fullest extent permitted by law, to indemnify and hold the design professional harmless from any damage, liability or cost (including reasonable attorneys fees and costs of defense) arising from such changes. Copyright © 2018 by John S. Odum, Architect. All rights reserved. No part of this drawing may be reproduced by photocopy or by any other means, or stored, processed, or transmitted in or by any computer or other systems without the prior written permission of the Architect.

ISSUE DATE: 11-01-18  
 REVISION DATE:  
 11-01-18 ORIGINAL ISSUE

DETAILS  
 SHEET NUMBER:  
**A6.2**