

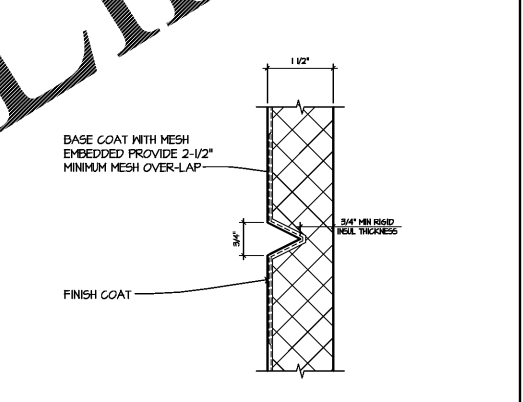
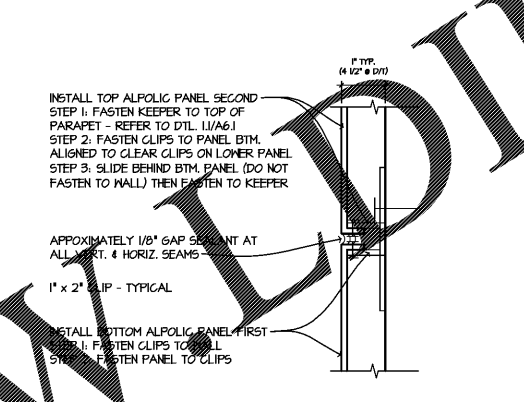
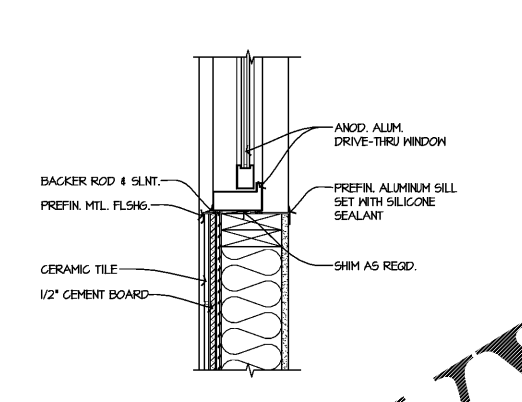
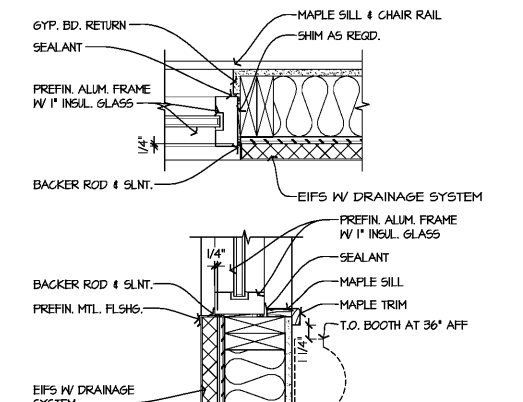
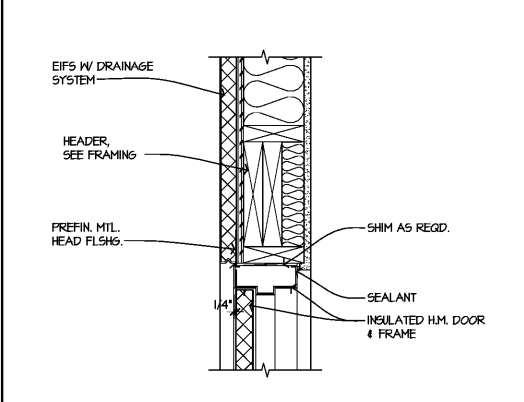
1 CAP FLASHING DETAIL
A6.1 SCALE: 3" = 1'-0"

1.1 CAP FLASHING DETAIL
A6.1 SCALE: 3" = 1'-0"

2 NOT USED
A6.1

3 NOT USED
A6.1

4 NOT USED
A6.1



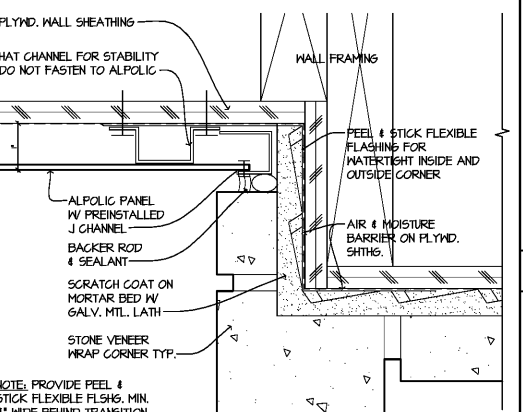
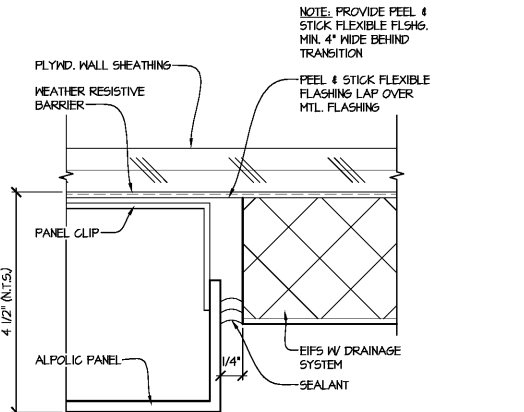
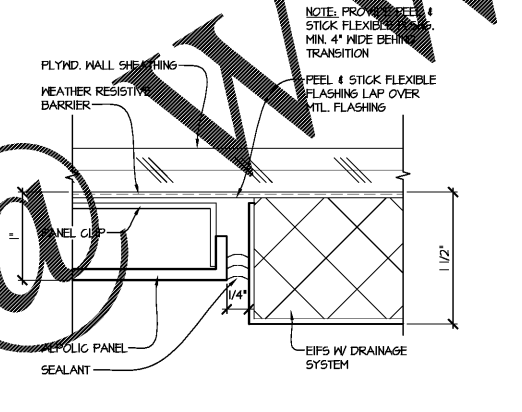
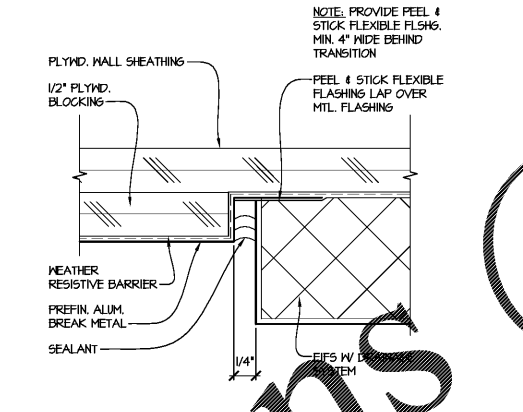
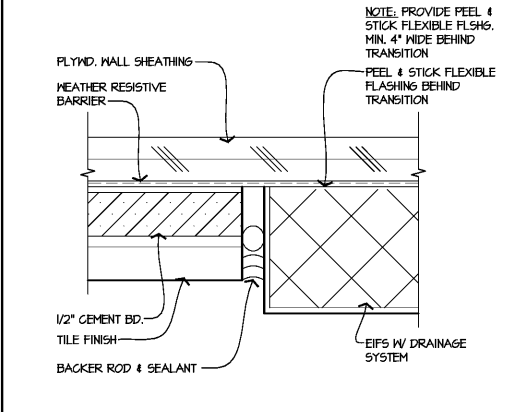
5 H.M. DOOR HEAD DETAIL
A6.1 SCALE: 1 1/2" = 1'-0"

6 WINDOW SILL & JAMB DETAIL
A6.1 SCALE: 1 1/2" = 1'-0"

7 DRIVE-THRU WINDOW DETAIL
A6.1 SCALE: 1 1/2" = 1'-0"

8 ALPOLIC PANEL JOINT DETAIL
A6.1 SCALE: 6" = 1'-0"

9 EIFS REVEAL DETAIL
A6.1 SCALE: 6" = 1'-0"



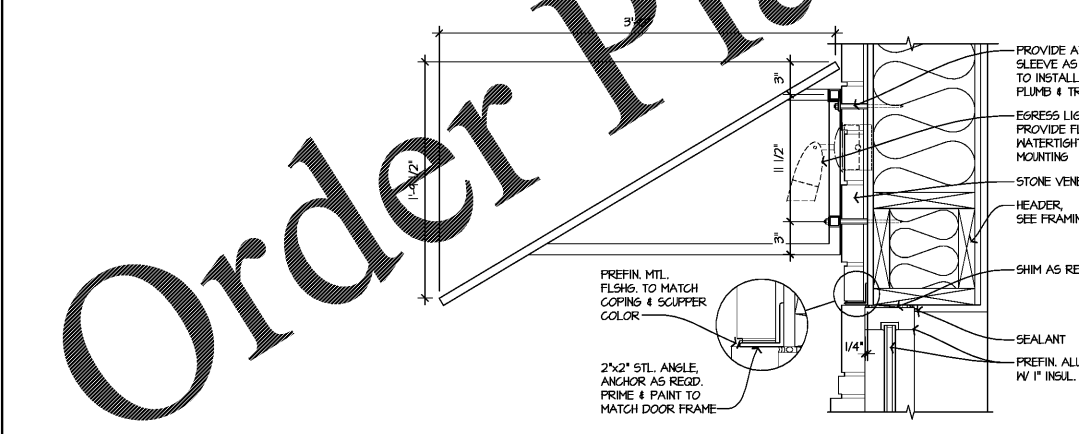
10 EIFS TO TILE TRANSITION
A6.1 SCALE: FULL

11 EIFS TO MTL. PANEL TRANSITION
A6.1 SCALE: FULL

12 EIFS TO ALPOLIC TRANSITION
A6.1 SCALE: FULL

13 D/T EIFS TO ALPOLIC TRANSITION
A6.1 SCALE: FULL

14 STONE TO ALPOLIC TRANSITION
A6.1 SCALE: HALF



15 NOT USED
A6.1

16 DOOR HEAD AT STONE DETAIL
A6.1 SCALE: 1 1/2" = 1'-0"

NEW BUILDING FOR:

 INTERSECTION OF 1015 S.W. BLVD. & ALABAMA AVENUE
 BREWSTER, GA 30110
 PARCEL ID: Z52 0065
 AMERICAN DAIRY QUEEN
 MINNEAPOLIS, MN U.S.A.
 REGISTERED U.S. PATENT OFFICE. AMERICAN DAIRY QUEEN CORPORATION. THIS DRAWING, ITS DESIGN DETAIL AND INVENTION ARE THE PROPERTY OF AMERICAN DAIRY QUEEN INC. (ADQ) AND SHALL NOT BE COPIED IN ANY MANNER NOR DISCLOSED TO ANY OUTSIDE PARTY WITHOUT ADQ CONSENT.

STATE OF GEORGIA

 JOHN S. ODOM
 REGISTERED ARCHITECT
 11-01-18

GEORGIA ARCHITECT LICENSE
 NUMBER RA014022
 SPECIAL NOTICES
 In the event the client consents to, allows, authorizes or approves of changes to any plans, specifications or other construction documents, and these changes are not approved in writing by the design professional, the client recognizes that such changes and the results thereof are not the responsibility of the design professional. Therefore, the client agrees to release the design professional from any liability arising from the construction, use or result of such changes. In addition, the client agrees to the fullest extent permitted by law, to indemnify and hold the design professional harmless from any damage, liability or cost (including reasonable attorney's fees and costs of defense) arising from such changes. Copyright © 2018 by John S. Odom, Architect. All rights reserved. No part of this drawing may be reproduced by photocopy or by any other means, or stored, processed, or transmitted in or by any computer or other systems without the prior written permission of the Architect.

ISSUE DATE:	11-01-18
REVISION DATE:	
11-01-18	ORIGINAL ISSUE

DETAILS
 SHEET NUMBER:
A6.1

Order Plans