



INTERSECTION OF 1015 S.W.D. & LABAMA AVENUE  
BREVARD, GA 32110  
PARCEL ID: Z52 0065

AMERICAN DAIRY QUEEN  
MINNEAPOLIS, MN U.S.A.  
REGISTERED U.S. PATENT OFFICE. AMERICAN DAIRY  
QUEEN CORPORATION. THIS DRAWING, ITS DESIGN  
DETAIL AND INVENTION ARE THE PROPERTY OF  
AMERICAN DAIRY QUEEN INC. (A/DQ) AND SHALL NOT BE  
COPIED IN ANY MANNER NOR DISCLOSED TO ANY  
OUTSIDE PARTY WITHOUT A/DQ CONSENT.



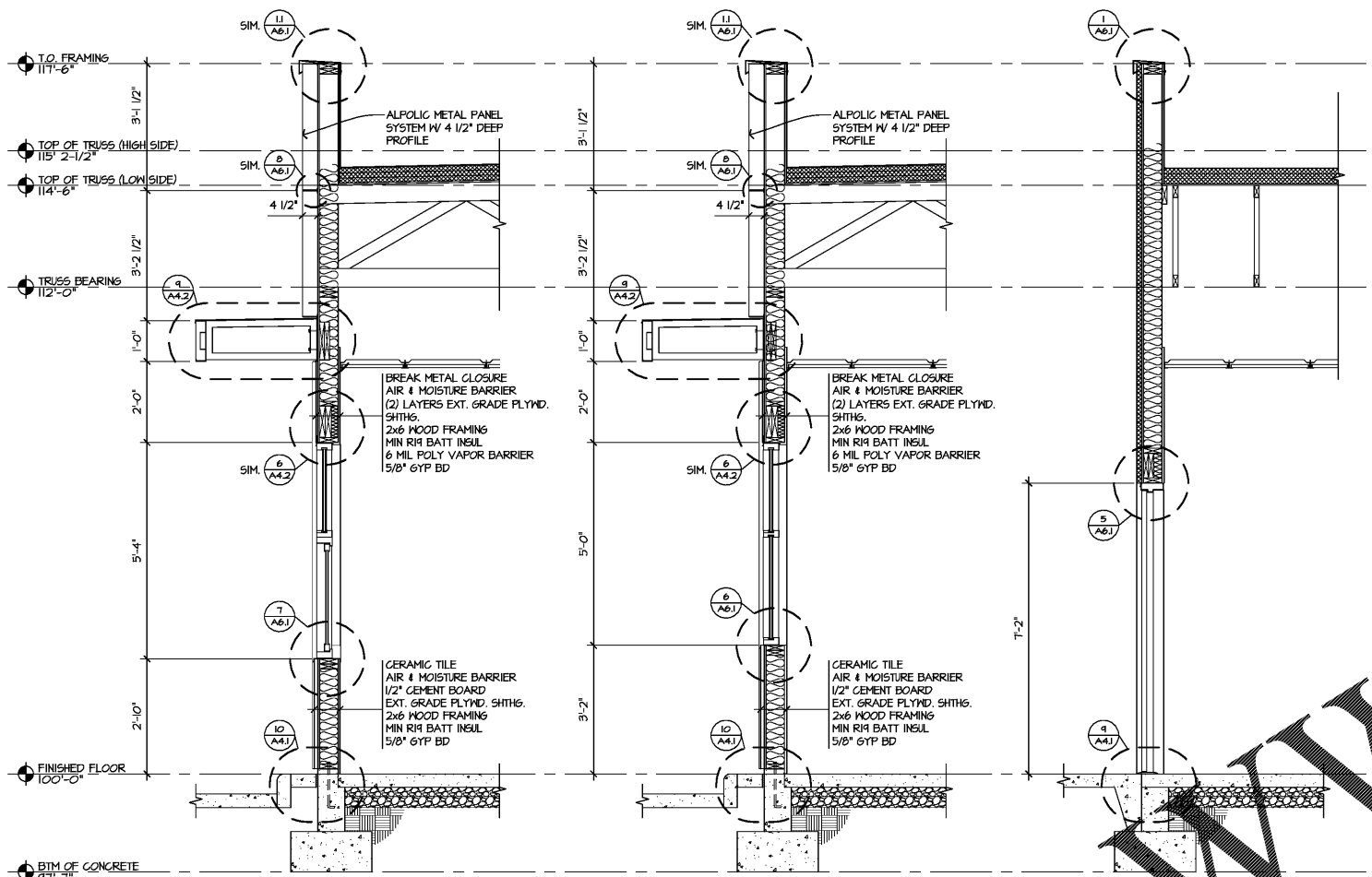
GEORGIA ARCHITECT LICENSE  
NUMBER RA014022

**SPECIAL NOTICES**  
In the event the client consents to, allows, authorizes or  
approves of changes to any plans, specifications or other  
construction documents, and these changes are not approved  
in writing by the design professional, the client recognizes that  
such changes and the results thereof are not the responsibility  
of the design professional. Therefore, the client agrees to  
release the design professional from any liability arising from  
the construction, use or result of such changes. In addition,  
the client agrees to the fullest extent permitted by law, to  
indemnify and hold the design professional harmless from any  
damage, liability or cost (including reasonable attorney's fees  
and costs of defense) arising from such changes. Copyright ©  
2018 by John S. Odom, Architect. All rights reserved. No part  
of this drawing may be reproduced by photocopy or by any  
other means, or stored, processed, or transmitted in or by any  
computer or other systems without the prior written permission  
of the Architect.

ISSUE DATE: 11-01-18  
REVISION DATE:  
11-01-18 ORIGINAL ISSUE

### WALL SECTIONS & DETAILS

SHEET NUMBER:  
**A4.2**



NOTE: THE DRIVE THRU WINDOW SILL IS TO BE FRAMED  
LOWER THAN THE ADJACENT SIDE LIGHTS, COMPARE  
FRAMING HEIGHTS BETWEEN DETAIL 1/A4.2 & 2/A4.2

NOTE: SEE SECTION  
1/A4.1 FOR TYPICAL  
CONSTRUCTION NOTES.

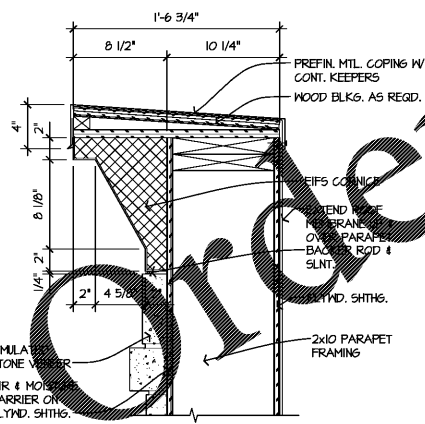
NOTE: SEE SECTION  
1/A4.1 FOR TYPICAL  
CONSTRUCTION NOTES.

NOTE: SEE SECTION  
1/A4.1 FOR TYPICAL  
CONSTRUCTION NOTES.

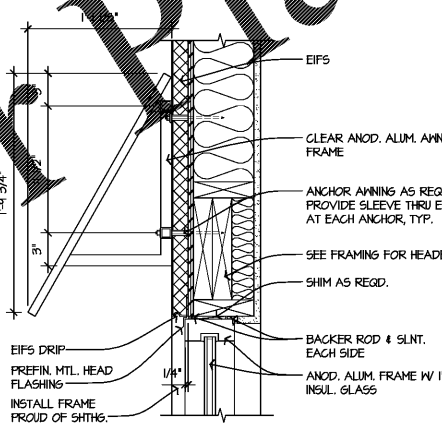
1 SECTION  
A4.2 SCALE: 1/2" = 1'-0"

2 SECTION  
A4.2 SCALE: 1/2" = 1'-0"

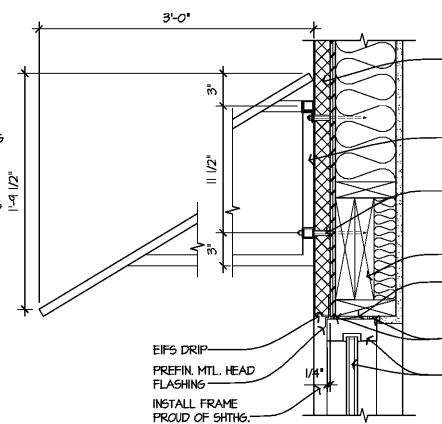
3 SECTION  
A4.2 SCALE: 1/2" = 1'-0"



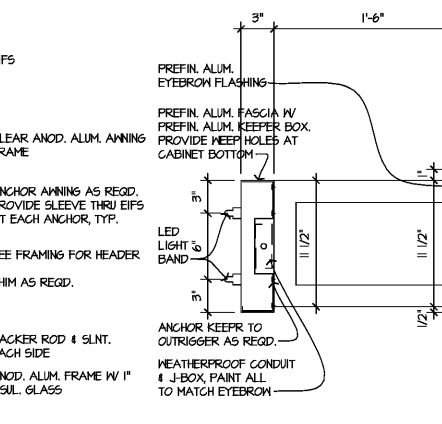
5 CORNICE DETAIL  
A4.2 SCALE: 1 1/2" = 1'-0"



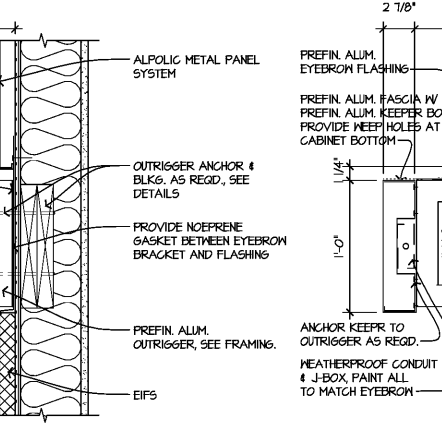
6 WINDOW HEAD DETAIL  
A4.2 SCALE: 1 1/2" = 1'-0"



7 ENTRANCE HEAD DETAIL  
A4.2 SCALE: 1 1/2" = 1'-0"



8 EYEBROW DETAIL  
A4.2 SCALE: 1 1/2" = 1'-0"



9 EYEBROW DETAIL  
A4.2 SCALE: 1 1/2" = 1'-0"

WWW.LDILine.com