

NEW BUILDING FOR:  
  
 INTERSECTION OF U.S. HWY 90 & ALABAMA AVENUE  
 BREVARD, GA 31110  
 PARCEL ID: Z52 0065  
 AMERICAN DAIRY QUEEN  
 MINNEAPOLIS, MN U.S.A.  
 REGISTERED U.S. PATENT OFFICE. AMERICAN DAIRY  
 QUEEN CORPORATION. THIS DRAWING, ITS DESIGN  
 DETAIL AND INVENTION ARE THE PROPERTY OF  
 AMERICAN DAIRY QUEEN INC. (ADQ) AND SHALL NOT BE  
 COPIED IN ANY MANNER NOR DISCLOSED TO ANY  
 OUTSIDE PARTY WITHOUT ADQ CONSENT.

STATE OF GEORGIA  
  
 JOHN S. ODUM  
 REGISTERED ARCHITECT  
 11-01-18

GEORGIA ARCHITECT LICENSE  
 NUMBER RA014022  
 SPECIAL NOTICES  
 In the event the client consents to, allows, authorizes or  
 approves of changes to any plans, specifications or other  
 construction documents, and these changes are not approved  
 in writing by the design professional, the client recognizes that  
 such changes and the results thereof are not the responsibility  
 of the design professional. Therefore, the client agrees to  
 release the design professional from any liability arising from  
 the construction, use or result of such changes. In addition,  
 the client agrees to the fullest extent permitted by law, to  
 indemnify and hold the design professional harmless from any  
 claims, liability or cost (including reasonable attorneys fees  
 and costs of defense) arising from such changes. Copyright ©  
 2018 by John S. Odum, Architect. All rights reserved. No part  
 of this drawing may be reproduced by photocopy or by any  
 other means, or stored, processed, or transmitted in or by any  
 computer or other systems without the prior written permission  
 of the Architect.

ISSUE DATE: 11-01-18  
 REVISION DATE:  
 11-01-18 ORIGINAL ISSUE

WALL SECTIONS  
 & DETAILS

SHEET NUMBER:  
**A4.1**

1 SECTION  
 A4.1 SCALE: 1/2" = 1'-0"

2 SECTION  
 A4.1 SCALE: 1/2" = 1'-0"

3 SECTION  
 A4.1 SCALE: 1/2" = 1'-0"

4 SECTION  
 A4.1 SCALE: 1/2" = 1'-0"

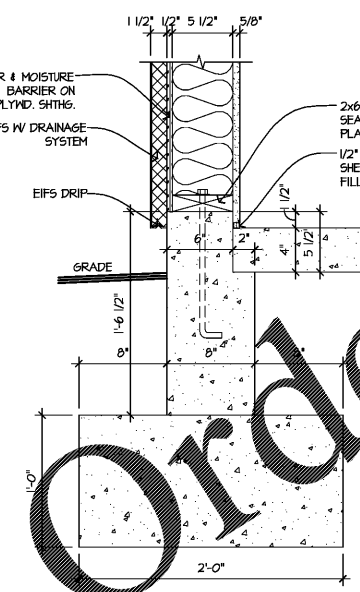
5 SECTION  
 A4.1 SCALE: 1/2" = 1'-0"

NOTE: SEE SECTION  
 I/A4.1 FOR TYPICAL  
 CONSTRUCTION NOTES.

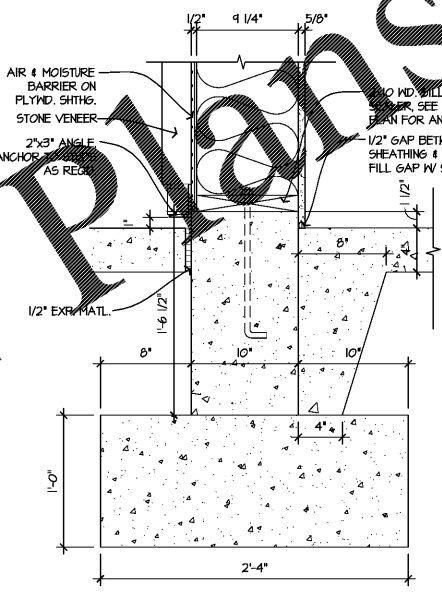
NOTE: SEE SECTION  
 I/A4.1 FOR TYPICAL  
 CONSTRUCTION NOTES.

NOTE: SEE SECTION  
 I/A4.1 FOR TYPICAL  
 CONSTRUCTION NOTES.

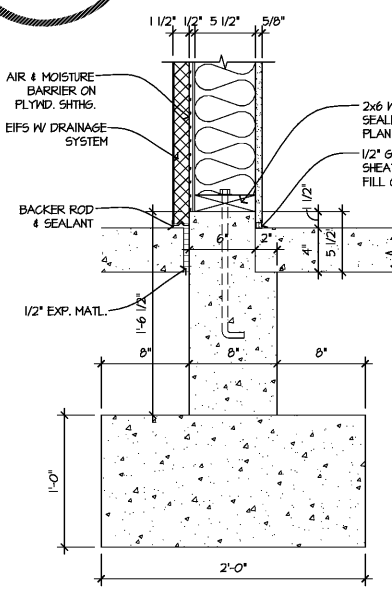
NOTE: SEE SECTION  
 I/A4.1 FOR TYPICAL  
 CONSTRUCTION NOTES.



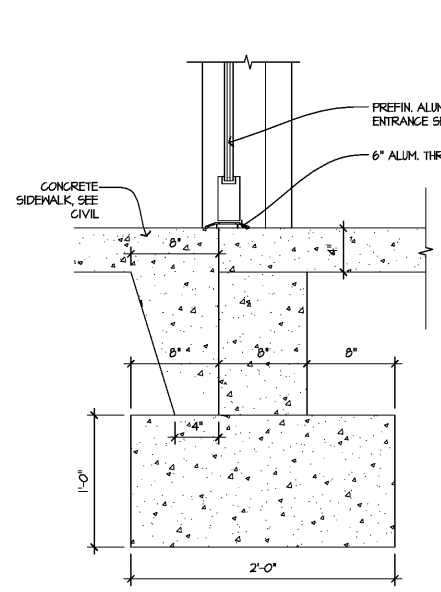
6 FINISH AT GRADE  
 A4.1 SCALE: 1 1/2" = 1'-0"



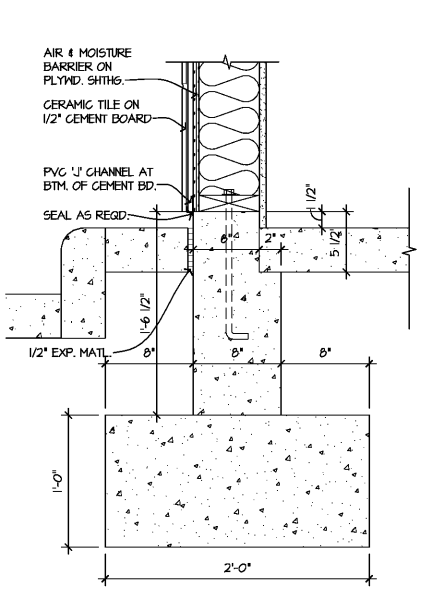
7 CHIMNEY AT PATIO  
 A4.1 SCALE: 1 1/2" = 1'-0"



8 CONC. WALK  
 A4.1 SCALE: 1 1/2" = 1'-0"



9 ENTRANCE  
 A4.1 SCALE: 1 1/2" = 1'-0"



10 DRIVE-THRU CURB  
 A4.1 SCALE: 1 1/2" = 1'-0"

Order Plans

WWW.LDLINE.COM