

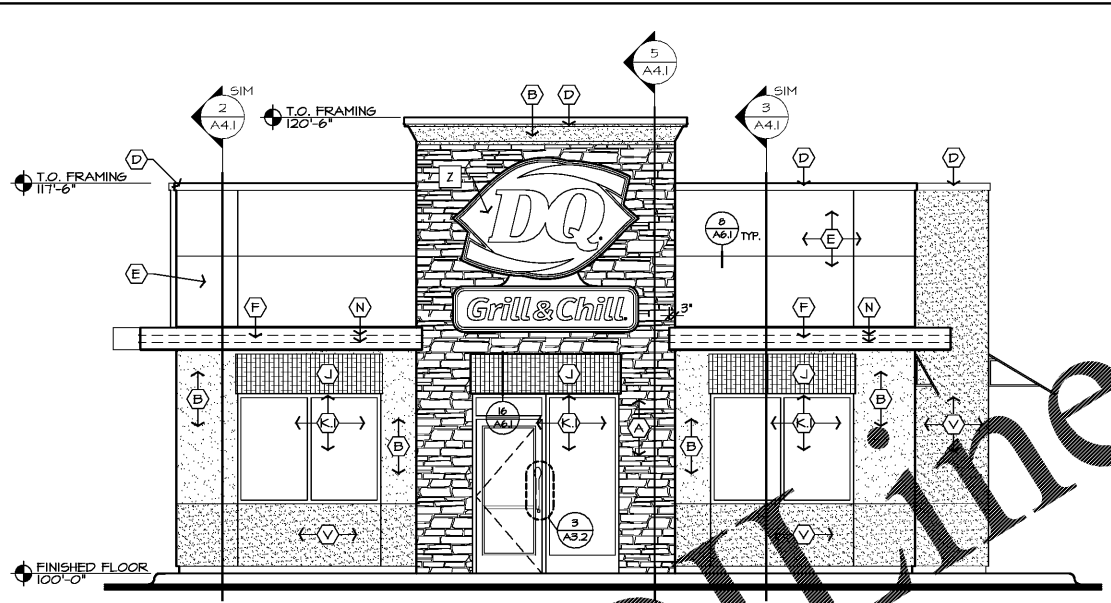
OPENING SCHEDULE NATIONAL ACCOUNT DOOR AND FRAME SUPPLIER (PLAM, WOOD AND HM.) HAMILTON PARKER, SEE NATIONAL VENDORS LIST

OPNS. NO.	OPENING LOCATION	SIZE	DOOR/WINDOW	TYPE	MATERIAL	FINISH	FRAME	TYPE	MATERIAL	FINISH	FIRE RATING	HARDWARE GROUP	NOTES:
100A	VESTIBULE (EXT.)	(2) 3'-0" x 7'-0" x 1 3/4"	B	ALUM.	BRONZE	F2	ALUM.	BRONZE	-	E1	-	E1	SEE 3/A3.2 & 4/A3.2 FOR DOOR HANDLE INSTALLATION
100B	VESTIBULE (INT.)	(2) 3'-0" x 7'-0" x 1 3/4"	B	ALUM.	BRONZE	F3	ALUM.	BRONZE	-	E2	-	E2	MOUNT BOTTOM OF DOOR FRAME LEVEL WITH TOP OF FLOOR TILE
101A	DINING ROOM	6'-6" x 5'-0"				F5	ALUM.	BRONZE	-	-	-	-	-
101B	DINING ROOM	6'-6" x 5'-0"				F5	ALUM.	BRONZE	-	-	-	-	-
101C	TO PATIO	3'-0" x 7'-0" x 1 3/4"	B	ALUM.	BRONZE	F4	ALUM.	BRONZE	-	E3	-	E3	SEE 3/A3.2 & 4/A3.2 FOR DOOR HANDLE INSTALLATION
101D	DINING ROOM	6'-6" x 5'-0"				F5	ALUM.	BRONZE	-	-	-	-	-
101E	DINING ROOM	6'-6" x 5'-0"				F5	ALUM.	BRONZE	-	-	-	-	-
101F	DINING ROOM	6'-6" x 5'-0"				F5	ALUM.	BRONZE	-	-	-	-	-
101G	DINING ROOM	6'-6" x 5'-0"				F5	ALUM.	BRONZE	-	-	-	-	-
102	MENS	3'-0" x 7'-0" x 1 3/4"	A	P.C.	PLAM	F1	HM.	PAINT	-	RI	-	RI	UNDERCUT BY 1". - PLAM: WILSONART LAMBER MAPLE 10734-60
103	MOMENS	3'-0" x 7'-0" x 1 3/4"	A	P.C.	PLAM	F1	HM.	PAINT	-	RI	-	RI	UNDERCUT BY 1". - PLAM: WILSONART LAMBER MAPLE 10734-60
104	DRIVE THRU	9'-0" x 5'-0"				F7	ALUM.	CLEAR	-	-	-	-	D.T. WINDOW PART OF EQUIPMENT PACKAGE, INSTALLED BY G.C.
106	OFFICE	3'-0" x 7'-0" x 1 3/4"	A	P.C.	PLAM	F1	HM.	PAINT	-	O	-	O	UNDERCUT BY 1". - PLAM: WILSONART LAMBER MAPLE 10734-60
107	SERVICE	3'-6" x 7'-0" x 1 3/4"	A	HM.	HM.	F1	HM.	PAINT	-	SI	-	SI	SEE EXTERIOR ELEVATIONS FOR COLOR
108A	OFFICE	3'-0" x 7'-0" x 1 3/4"	A	P.C.	PLAM	F1	HM.	PAINT	-	O	-	O	UNDERCUT BY 1". - PLAM: WILSONART LAMBER MAPLE 10734-60
108B	OFFICE BATH	2'-8" x 6'-8" x 1 3/4"	A	MD	PAINT	MD	MD	PAINT	-	-	-	-	PROVIDE RESIDENTIAL POCKET DOOR & HARDWARE - SOLID CORE

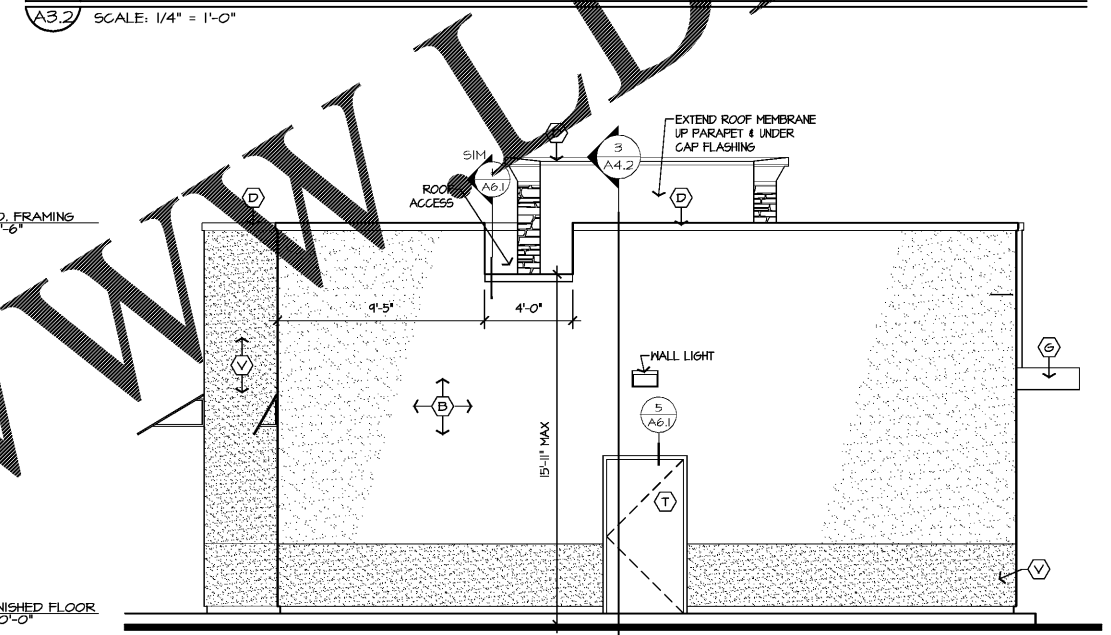
NOTES:
 1. PARTICLE CORE DOORS: SIZE AS PER PLAN AND SCHEDULE. ALL EDGES/SURFACES TO BE COVERED WITH PLASTIC LAMINATE.
 2. HOLLOW METAL DOORS: SIZE AS PER PLAN AND SCHEDULE. (HOT ROLLED LEVEL 2 MODEL 2) STEEL TO BE 18 GA., INTERIOR TO BE FOAM INSULATION WITH INTEGRAL REINFORCEMENT FOR CLOSURE AND PANIC HARDWARE.
 ALUM = ALUMINUM
 HM = HOLLOW METAL
 P.C. = PARTICLE CORE
 BRZ = ANODIZED ALUMINUM STATUTORY BRONZE FINISH
 CLR = ANODIZED ALUMINUM CLEAR FINISH
 FNT = SEE INTERIOR ELEVATIONS AND FINISH SCHEDULE FOR COLOR
 MD = WOOD

HARDWARE GROUPS NATIONAL ACCOUNT DOOR HARDWARE HAMILTON PARKER, SEE NATIONAL VENDORS LIST

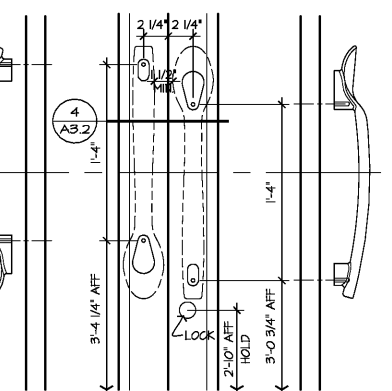
<p>GROUP #E1: TYPICAL EXTERIOR VESTIBULE DOORS HARDWARE PART OF DOOR MANUFACTURERS PACKAGE • CLOSER: HAGER MFG. MODEL #5200 SPR CSH CLOSER • HINGES: HAGER MFG. MDL #BBI191 3ZDB WITH NON-REMOVABLE PINS, 4.5"x4.5"x0.180" THK., (4) HINGES PER LEAF. • KEYPED CYLINDERS: HAGER MFG. MDL #3402 MORTISE CYLINDER, PROVIDE (2) KEYS PER DOOR, ALL CYLINDERS KEYPED ALIKE. (MOUNTED AT 34" AFF, COORDINATE W/ SPOON HANDLE) • SPOON HANDLE (PROVIDED & INSTALLED BY ALUM. STOREFRONT CONTRACTOR, AVAILABLE FROM H.I.G. SEE ADQ NATIONAL VENDORS LIST) • HAGER 4500 SERIES CONCEALED VERTICAL ROD PANIC HARDWARE (OR SIMILAR WITH ARCHITECT APPROVAL) • SNEEP: HAGER MFG. MDL #8015B, MIL. ALUM. FINISH, SIZED TO FIT DOOR WIDTH. • THRESHOLD: HAGER MFG. MDL #412 S, MIL. ALUM. FINISH, SIZED TO FIT DOOR OPENING WIDTH. • WEATHERSTRIPPING.</p>	<p>GROUP #E2: TYPICAL INTERIOR VESTIBULE DOORS HARDWARE PART OF DOOR MANUFACTURERS PACKAGE • CLOSER: HAGER MFG. MODEL #5200 SPR CSH CLOSER • HINGES: HAGER MFG. MDL #BBI191 3ZDB WITH NON-REMOVABLE HINGE PINS, 4.5" x 4.5" x 0.180" THK., (4) HINGES PER LEAF. • PUSH/PULL: HAGER MFG. MDL#1541D LH COMBO 3ZD, & MDL#1541D RH COMBO 3ZD. • FLOOR STOP: HAGER 241F 26D DOME LOW STOP, (1) PER LEAF</p>	<p>GROUP #E3: TYPICAL EXTERIOR PATIO DOOR HARDWARE PART OF DOOR MANUFACTURERS PACKAGE • CLOSER: HAGER MFG. MODEL #5200 SPR CSH CLOSER • HINGES: HAGER MFG. MDL #BBI191 3ZDB WITH NON-REMOVABLE PINS, 4.5"x4.5"x0.180" THK., (4) HINGES PER LEAF. • KEYPED CYLINDERS: HAGER MFG. MDL #3402 MORTISE CYLINDER, PROVIDE (2) KEYS PER DOOR, ALL CYLINDERS KEYPED ALIKE. (MOUNTED AT 34" AFF, COORDINATE W/ SPOON HANDLE) • SPOON HANDLE (PROVIDED & INSTALLED BY ALUM. STOREFRONT CONTRACTOR, AVAILABLE FROM H.I.G. SEE ADQ NATIONAL VENDORS LIST) • HAGER 4500 SERIES RIM PANIC HARDWARE (OR SIMILAR WITH ARCHITECT APPROVAL) • SNEEP: HAGER MFG. MDL #8015B, MIL. ALUM. FINISH, SIZED TO FIT DOOR WIDTH. • THRESHOLD: HAGER MFG. MDL #412 S, MIL. ALUM. FINISH, SIZED TO FIT DOOR OPENING WIDTH. • WEATHERSTRIPPING.</p>
<p>GROUP #S1: TYPICAL REAR SERVICE DOOR • CLOSER: HAGER MFG. MODEL #5200 SPR CSH CLOSER • EXIT DEVICE: HAGER MFG. MDL #4101 RIM US28, SPR. ALUM. FINISH. • HINGES: HAGER MFG. MDL #ECB 1100 US26D WITH NON-REMOVABLE HINGE PINS, 4.5" x 4.5" x 0.134" THK., (3) HINGES PER LEAF. • KICK PLATE: HAGER MFG. MDL #1405 10 GA. 34" x 10" x 0.025" THK. • PROTECTIVE TRIM: HAGER MFG. MDL #2250 • PULL: HAGER MFG. MDL #416 200 DEGREE VIEW (FACTORY INSTALLED) • SNEEP: HAGER MFG. MDL #8015B, MIL. ALUM. FINISH, SIZED TO FIT DOOR WIDTH. • THRESHOLD: HAGER MFG. MDL #412 S, MIL. ALUM. FINISH, SIZED TO FIT DOOR OPENING WIDTH. • VIEWER: HAGER MFG. 1756 US28, 200 DEGREE VIEW (FACTORY INSTALLED) • WEATHERSTRIPPING: HAGER MFG. MDL #B415 V, MIL. ALUM. FINISH, SIZED TO FIT DOOR.</p>	<p>GROUP #R1: TYPICAL SINGLE OCCUPANCY RESTROOM DOOR • CLOSER: HAGER MFG. MODEL #5200 CLOSER • HINGES: HAGER MFG. MDL #ECB 1100 US26D, 4.5" x 4.5" x 0.134" THK., (3) HINGES PER LEAF. • NOTE: HAGER MFG. MDL#1405 10 GA. 34" x 10" x 0.025" THK. (MOUNTING HOLES PREDRILLED AT FACTORY, INSTALLED ON PUSH SIDE OF DOOR). • STOP DOOR: HAGER MFG. MDL #232M 3ZD, BRUSHED CHROME, 2 1/2" DIA. WALL MOUNT. • INDICATOR LOCK: SCHLAGE B571626 • (2) 4x6 PUSH PLATES - DRILLED • PULL HANDLE: HAGER 3E320</p>	<p>GROUP #O: TYPICAL OFFICE DOOR • CLOSER: HAGER MFG. MODEL #5200 CLOSER • HINGES: HAGER MFG. MDL #ECB 1100 US26D, 4.5" x 4.5" x 0.134" THK., (3) HINGES PER LEAF. • KICK PLATE: HAGER MFG. MDL#1405 10 GA. 34" x 10" x 0.025" THK. (MOUNTING HOLES PREDRILLED AT FACTORY, INSTALLED ON PUSH SIDE OF DOOR). • STOP DOOR: HAGER MFG. MDL #232M 3ZD, BRUSHED CHROME, 2 1/2" DIA. WALL MOUNT. • LOCKSET: 3553 US26D-TITINELL (KEYED)</p>



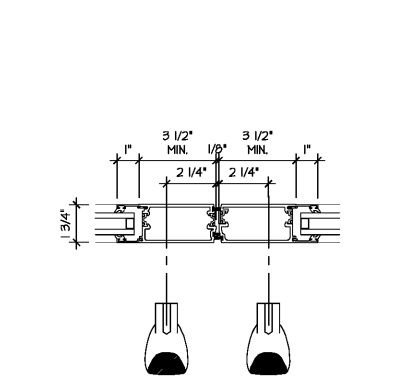
FRONT ELEVATION SCALE: 1/4" = 1'-0"



REAR ELEVATION SCALE: 1/4" = 1'-0"



SPOON HANDLE DETAIL SCALE: 1 1/2" = 1'-0"



SPOON HANDLE DETAIL SCALE: 3" = 1'-0"

NEW BUILDING FOR:

 INTERSECTION OF WIS BLVD & ALABAMA AVENUE
 BREVARD, GA 31110
 PARCEL ID: Z52 0065
 AMERICAN DAIRY QUEEN
 MINNEAPOLIS, MN U.S.A.
 REGISTERED U.S. PATENT OFFICE. AMERICAN DAIRY QUEEN CORPORATION. THIS DRAWING, ITS DESIGN DETAIL AND INVENTION ARE THE PROPERTY OF AMERICAN DAIRY QUEEN INC. (ADQ) AND SHALL NOT BE COPIED IN ANY MANNER NOR DISCLOSED TO ANY OUTSIDE PARTY WITHOUT ADQ CONSENT.

STATE OF GEORGIA

 JOHN S. ODUM
 REGISTERED ARCHITECT
 11-01-18

GEORGIA ARCHITECT LICENSE
 NUMBER RA014022

SPECIAL NOTICES
 In the event the client consents to, allows, authorizes or approves of changes to any plans, specifications or other construction documents, and these changes are not approved in writing by the design professional, the client recognizes that such changes and the results thereof are not the responsibility of the design professional. Therefore, the client agrees to release the design professional from any liability arising from the construction, use or result of such changes. In addition, the client agrees to the fullest extent permitted by law, to indemnify and hold the design professional harmless from any damage, liability or cost (including reasonable attorneys fees and costs of defense) arising from such changes. Copyright © 2018 by John S. Odum, Architect. All rights reserved. No part of this drawing may be reproduced by photocopy or by any other means, or stored, processed, or transmitted in or by any computer or other systems without the prior written permission of the Architect.

ISSUE DATE: 11-01-18
 REVISION DATE:
 11-01-18 ORIGINAL ISSUE

EXTERIOR ELEVATIONS
 SHEET NUMBER:
A3.2