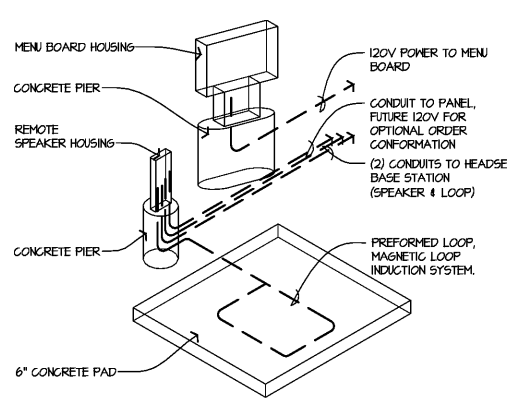
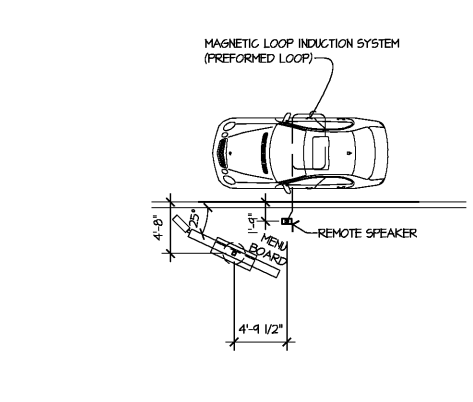


1 INDUCTION LOOP SECTION
A1.2 N.T.S.

2 NOT USED
A1.2



3 INDUCTION LOOP ISOMETRIC
A1.2 N.T.S.

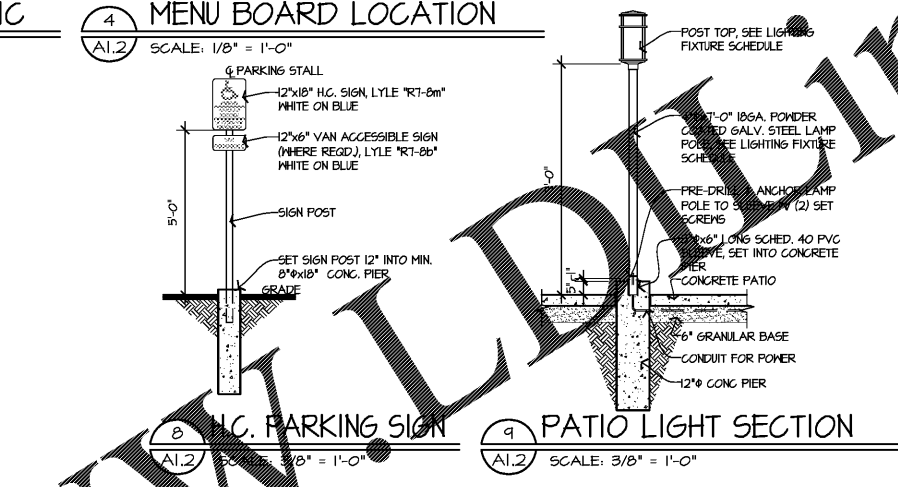


4 MENU BOARD LOCATION
A1.2 SCALE: 1/8\"/>

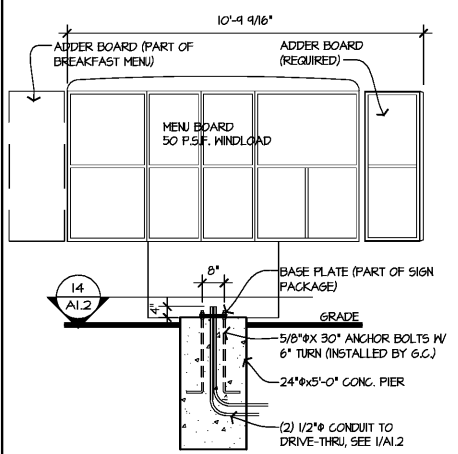
5 NOT USED
A1.2

6 NOT USED
A1.2

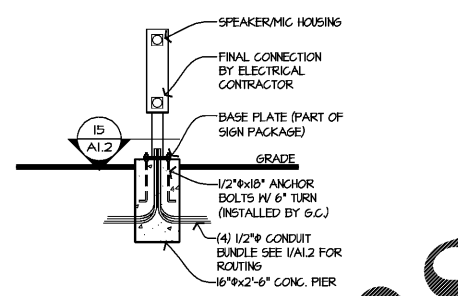
7 NOT USED
A1.2



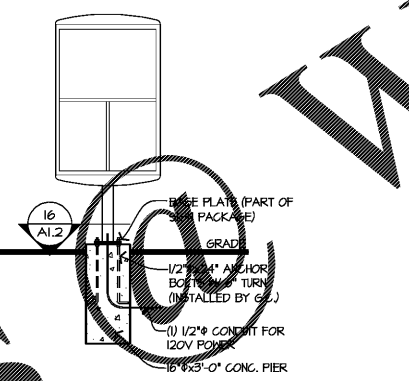
9 PATIO LIGHT SECTION
A1.2 SCALE: 3/8\"/>



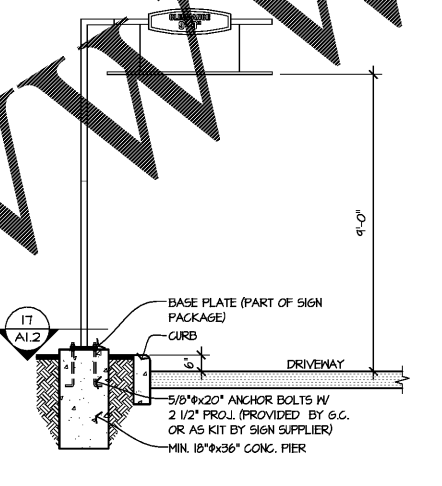
10 MENU BOARD SECTION
A1.2 SCALE: 3/8\"/>



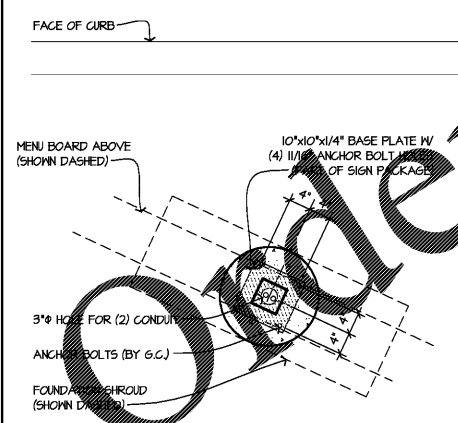
11 SPEAKER SECTION
A1.2 SCALE: 3/8\"/>



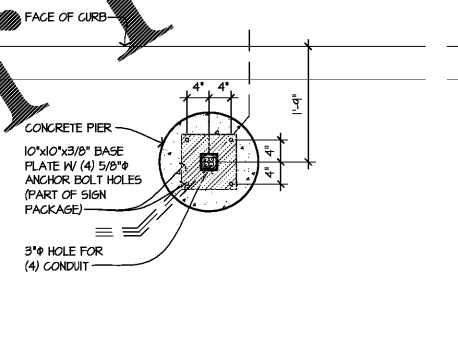
12 PREVIEW SECTION
A1.2 SCALE: 3/8\"/>



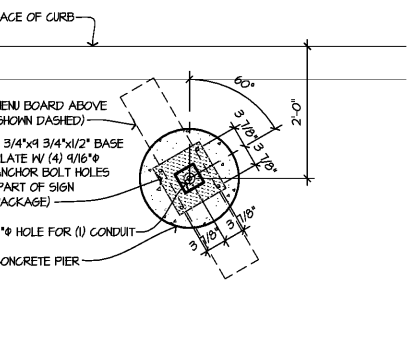
13 CLEARANCE SIGN SECTION
A1.2 SCALE: 3/8\"/>



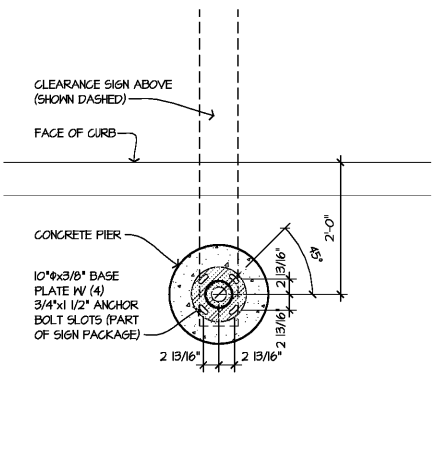
14 MENU BOARD DTL.
A1.2 SCALE: 3/4\"/>



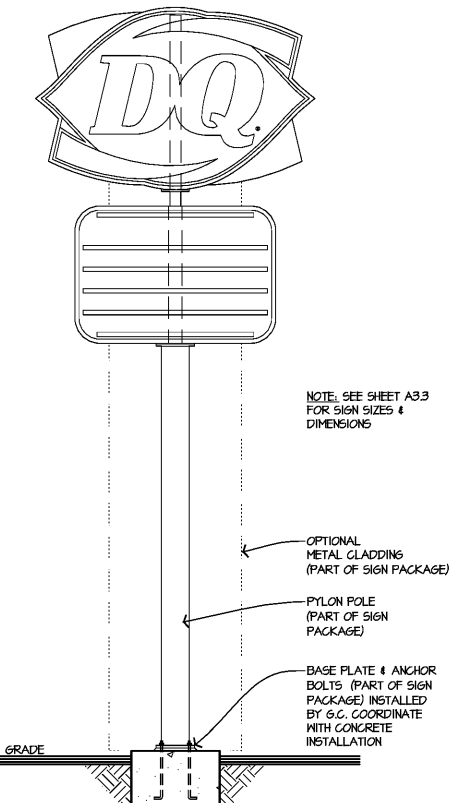
15 SPEAKER SECTION DTL.
A1.2 SCALE: 3/4\"/>



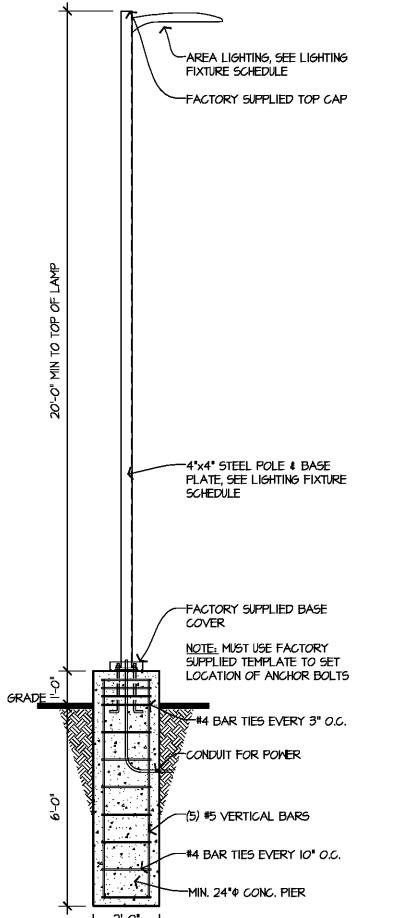
16 PREVIEW SECTION DTL.
A1.2 SCALE: 3/4\"/>



17 CLEARANCE SIGN DTL.
A1.2 SCALE: 3/4\"/>



18 Pylon Sign Section
A1.2 SCALE: 1/4\"/>



19 Light Pole Section
A1.2 SCALE: 3/8\"/>

NEW BUILDING FOR:

 INTERSECTION OF 1015 BLVD. & LABAMA AVENUE
 BREKKA, GA 30110
 PARCEL ID: Z52 0065
 AMERICAN DAIRY QUEEN
 MINNEAPOLIS, MN U.S.A.
 REGISTERED U.S. PATENT OFFICE. AMERICAN DAIRY QUEEN CORPORATION. THIS DRAWING, ITS DESIGN DETAIL AND INVENTION ARE THE PROPERTY OF AMERICAN DAIRY QUEEN INC. (ADQ) AND SHALL NOT BE COPIED IN ANY MANNER NOR DISCLOSED TO ANY OUTSIDE PARTY WITHOUT ADQ CONSENT.

STATE OF GEORGIA

 JOHN S. ODUM
 REGISTERED ARCHITECT
 11-01-18

GEORGIA ARCHITECT LICENSE
 NUMBER RA014022
 SPECIAL NOTICES
 In the event the client consents to, allows, authorizes or approves of changes to any plans, specifications or other construction documents, and these changes are not approved in writing by the design professional, the client recognizes that such changes and the results thereof are not the responsibility of the design professional. Therefore, the client agrees to release the design professional from any liability arising from the construction, use or result of such changes. In addition, the client agrees to the fullest extent permitted by law, to indemnify and hold the design professional harmless from any damage, liability or cost (including reasonable attorneys fees and costs of defense) arising from such changes. Copyright © 2018 by John S. Odum, Architect. All rights reserved. No part of this drawing may be reproduced by photocopy or by any other means, or stored, processed, or transmitted in or by any computer or other systems without the prior written permission of the Architect.

ISSUE DATE: 11-01-18
 REVISION DATE:
 11-01-18 ORIGINAL ISSUE

SITE EQUIPMENT
 DETAILS
 SHEET NUMBER:
A1.2