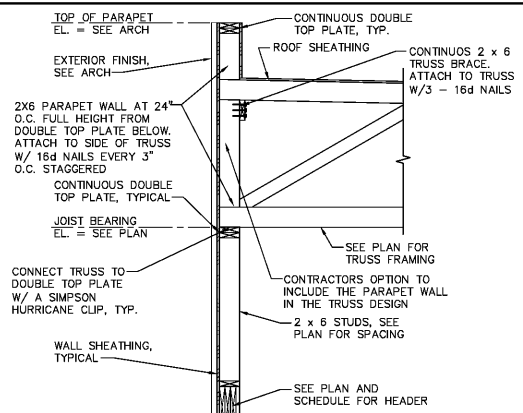
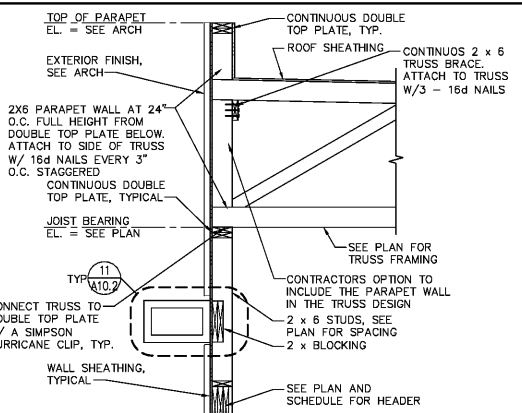


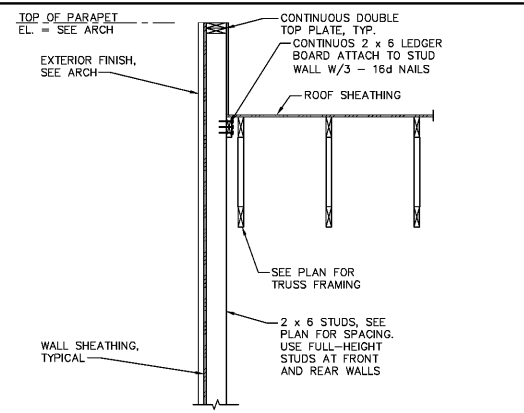
SECTION 1
SCALE: 1/2" = 1'-0"



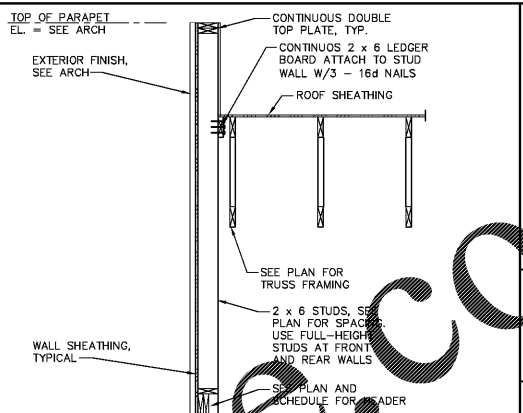
SECTION 2
SCALE: 1/2" = 1'-0"



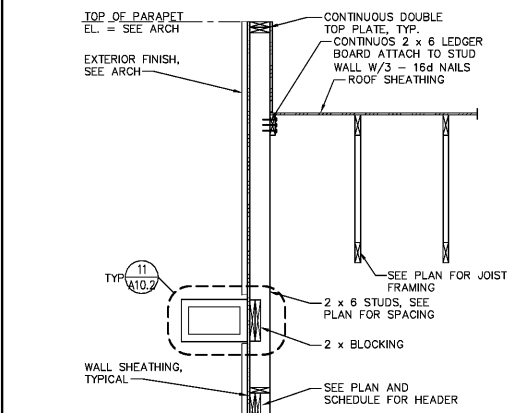
SECTION 3
SCALE: 1/2" = 1'-0"



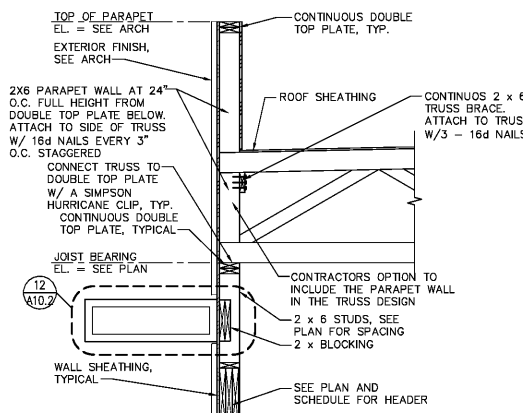
SECTION 4
SCALE: 1/2" = 1'-0"



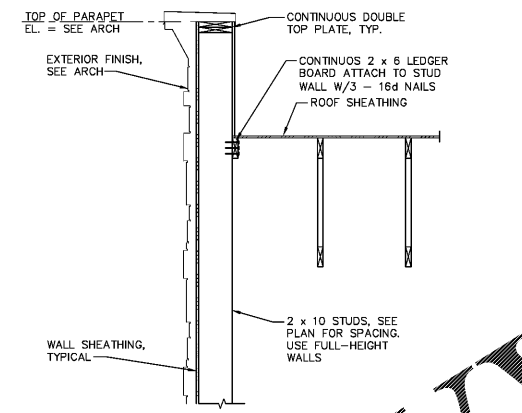
SECTION 5
SCALE: 1/2" = 1'-0"



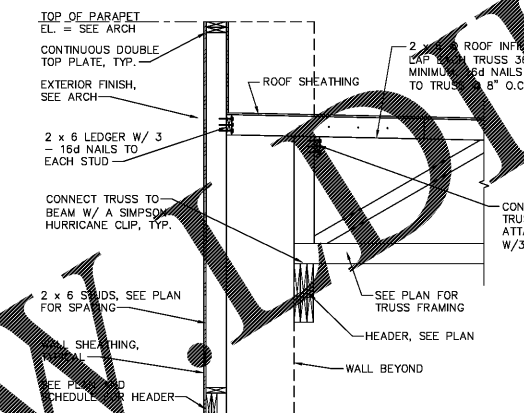
SECTION 6
SCALE: 1/2" = 1'-0"



SECTION 7
SCALE: 1/2" = 1'-0"



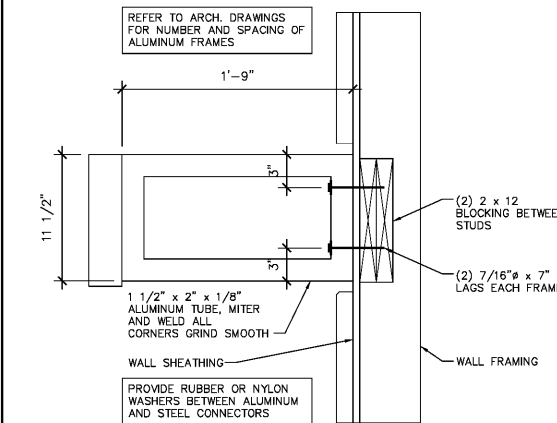
SECTION 8
SCALE: 1/2" = 1'-0"



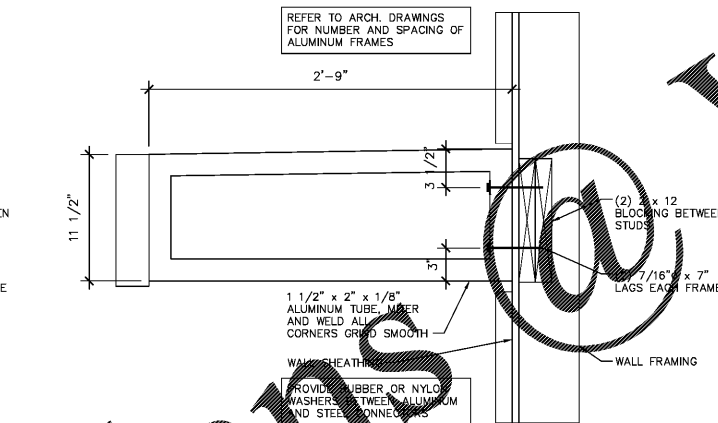
SECTION 9
SCALE: 1/2" = 1'-0"



SECTION 10
NOT USED




SECTION 11
SCALE: 1 1/2" = 1'-0"



SECTION 12
SCALE: 1 1/2" = 1'-0"


NEW BUILDING FOR:



INTERSECTION OF 1015 BLVD. & ABAMA AVENUE
BREVARD, GA 30110
PARCEL ID: Z52 0065

AMERICAN DAIRY QUEEN
MINNEAPOLIS, MN U.S.A.
REGISTERED U.S. PATENT OFFICE. AMERICAN DAIRY QUEEN CORPORATION. THIS DRAWING, ITS DESIGN DETAIL AND INVENTION ARE THE PROPERTY OF AMERICAN DAIRY QUEEN INC. (ADQ) AND SHALL NOT BE COPIED IN ANY MANNER NOR DISCLOSED TO ANY OUTSIDE PARTY WITHOUT ADQ CONSENT.

WWW.WORKONLINE.COM



GEORGIA ARCHITECT LICENSE
NUMBER RA014022

SPECIAL NOTICES
In the event the client consents to, allows, authorizes or approves of changes to any plans, specifications or other construction documents, and these changes are not approved in writing by the design professional, the client recognizes that such changes and the results thereof are not the responsibility of the design professional. Therefore, the client agrees to release the design professional from any liability arising from the construction, use or result of such changes. In addition, the client agrees to the fullest extent permitted by law, to indemnify and hold the design professional harmless from any damage, liability or cost (including reasonable attorney's fees and costs of defense) arising from such changes. Copyright © 2018 by John S. Odom, Architect. All rights reserved. No part of this drawing may be reproduced by photocopy or by any other means, or stored, processed, or transmitted in or by any computer or other systems without the prior written permission of the Architect.

ISSUE DATE:	11-01-18
REVISION DATE:	11-01-18 ORIGINAL ISSUE
	▲ ▲
ROOF SECTIONS & DETAILS	
SHEET NUMBER: A10.2	

Order Plans