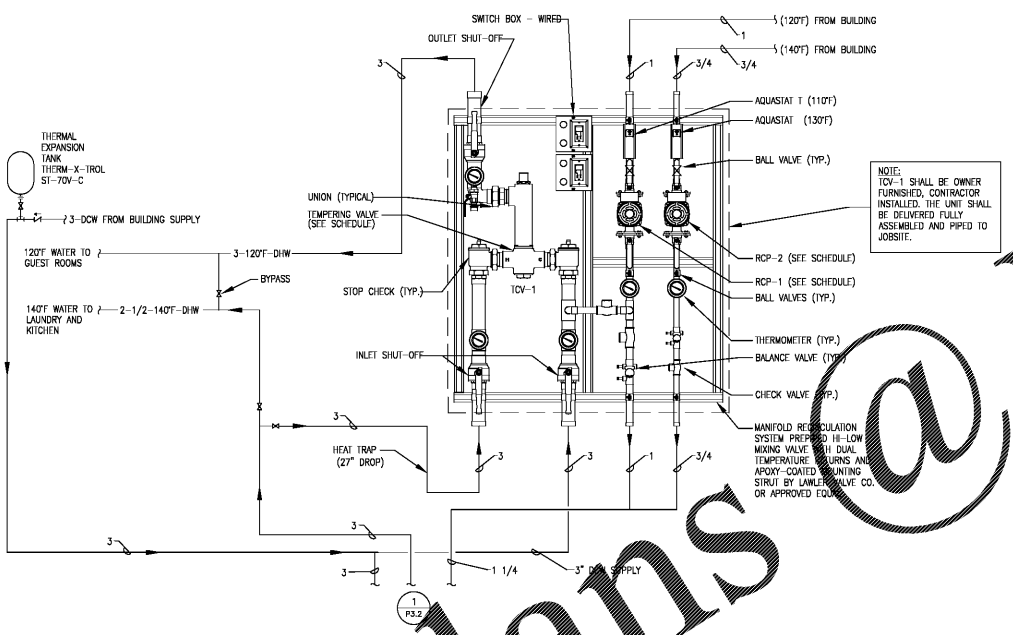
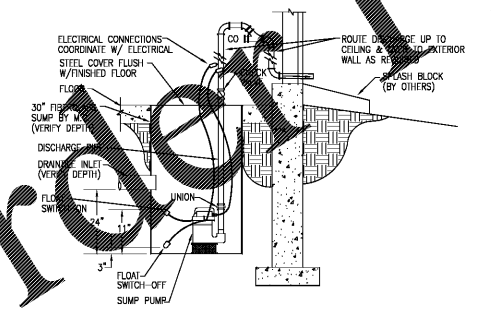


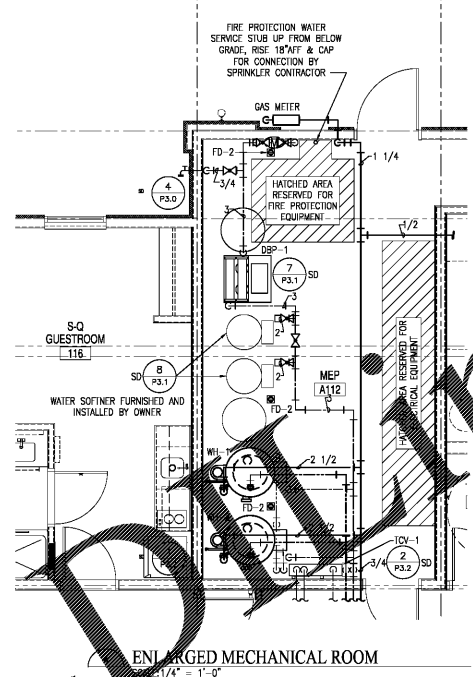
1 WATER HEATER PIPING DETAIL  
NO SCALE



2 TEMPERING VALVE DETAIL  
NO SCALE



3 SUBMERSIBLE PUMP DETAIL  
NO SCALE



ENLARGED MECHANICAL ROOM  
SCALE 1/4" = 1'-0"

TEMP CONTROL VALVE SCHEDULE (TCV) (OFC)	
TAG	TCV-1
MAKE	LAWLER
MODEL	100
TYPE	1/2" NPT
TEMPERATURE	120°F
FLOW (GPM)	10
VOLTAGES	120V/60/1PH
OUTLET	1/2"
MATERIAL	BRONZE FINISH BRONZE

DOMESTIC RECIRCULATING PUMP SCHEDULE (OFC)	
TAG	RCP-1
MAKE	BELL & GOSSETT
MODEL	100
TYPE	1/2" NPT
TEMPERATURE	120°F
FLOW (GPM)	10
VOLTAGES	120V/60/1PH
CONTROL	AQUASTAT/TIMER

- NOTES:
- ASSE 1017 APPROVED
  - LIQUID FILLED THERMAL MOTOR
  - REPLACABLE CORROSION RESISTANT COMPONENTS
  - UNION END STOP AND CHECK INLETS WITH REMOVABLE STAINLESS STEEL STRAINERS
  - CIRCUIT SETTING BALANCING VALVE AND BALL VALVES
  - STAINLESS STEEL SLIDING PISTON CONTROL MECHANISM
  - PROVIDE ONE ADDITIONAL SPARE COMPLETE ASSEMBLY FOR OWNER'S USE
  - PROVIDE WITH DUAL THERMOMETER AND SHUTOFF VALVE ON TEMPERED WATER
  - COMPLETE ASSEMBLY IS TO BE PREPARED FROM THE FACTORY
  - PROVIDE WITH MANIFOLD RECIRCULATION SYSTEM PREPARED HIGH/LOW MIXING VALVE WITH DUAL TEMPERATURE RETURNS AND APOXY-COATED MOUNTING STRUT BY LAMLER VALVE CO. OR APPROVED EQUAL. SEE TEMPERATURE VALVE DETAIL FOR FURTHER INFO.
  - COORDINATE WITH DIV 16 FOR ELECTRICAL
  - BRONZE FITTED FOR DOMESTIC WATER USE
  - AQUASTAT MUST BE USED FOR TEMPERING VALVE TO WORK PROPERLY.
- INSTALLATION INSTRUCTIONS:
- AFTER INSTALLATIONS BE SURE TO FLUSH THE SYSTEM THOROUGHLY.
  - MAKE SURE THE HOT WATER SUPPLY IS HEATED TO NORMAL DESIGN TEMPERATURE.
  - CLOSE AND TAG ALL FIXTURES TO ENSURE THEY ARE NOT USED DURING THIS PROCEDURE.
  - TURN OFF THE RECIRCULATING PUMPS.
  - CREATE A DRAW ON THE SYSTEM GREATER THAN THE MINIMUM FLOW RATING OF THE MIXING VALVE. ALL OPEN FIXTURES MUST BE TAGGED TO ENSURE THEY ARE NOT TAMPERED WITH OR USED DURING THIS PROCEDURE.
  - ALLOW WATER TO FLOW THROUGH THE MIXING VALVE UNTIL THE WATER TEMPERATURE IS STABLE. IF NECESSARY, READJUST THE MIXING VALVE IN ACCORDANCE WITH THE TEMPERATURE ADJUSTMENT SECTION OF THE INSTALLATION MANUAL.
  - ONCE THE TEMPERATURE IS SET, START THE RECIRCULATING PUMP AND ALLOW THE SYSTEM TO REACH SET TEMPERATURE.
  - MEASURE THE WATER TEMPERATURE AT THE RETURN PUMP AND ADJUST THE AQUASTAT TO SHUT OFF THE PUMP SHOULD THE RETURN WATER EXCEED THE SET POINT BY 2 DEGREES FAHRENHEIT. SET THE LOW LIMIT SWITCH TO RESTART THE RETURN PUMP WHEN RETURN WATER DROPS 5 DEGREES BELOW THE SET TEMPERATURE.
  - SET THE BALANCING VALVE IN THE FULL OPEN POSITION.
  - SHUT OFF ALL FIXTURES AND ENSURE THERE IS NO DRAW ON THE SYSTEM. THE COLD INLET TO THE MIXING VALVE SHOULD BE WARM.
  - ALLOW THE SYSTEM TO RUN IN THIS CONDITION FOR AT LEAST 30 MINUTES
  - REMOVE CABLES. AN INCREASE IN WATER TEMPERATURE MAY OCCUR DURING A NO DRAW PERIOD. IF THIS OCCURS, SLOWLY CLOSE THE BALANCING VALVE UNTIL THE WATER TEMPERATURE IS BACK TO THE ORIGINAL SET TEMPERATURE.

WATER HEATER SCHEDULE (OFC)	
TAG	WH-1, 2
MAKE	PI
MODEL	CONQUEST
TYPE	1/2" NPT
TEMPERATURE	120°F
FLOW (GPM)	10
VOLTAGES	120V/60/1PH
CONTROL	AQUASTAT/TIMER

- NOTES:
- ASSE 1017 APPROVED
  - LIQUID FILLED THERMAL MOTOR
  - REPLACABLE CORROSION RESISTANT COMPONENTS
  - UNION END STOP AND CHECK INLETS WITH REMOVABLE STAINLESS STEEL STRAINERS
  - CIRCUIT SETTING BALANCING VALVE AND BALL VALVES
  - STAINLESS STEEL SLIDING PISTON CONTROL MECHANISM
  - PROVIDE ONE ADDITIONAL SPARE COMPLETE ASSEMBLY FOR OWNER'S USE
  - PROVIDE WITH DUAL THERMOMETER AND SHUTOFF VALVE ON TEMPERED WATER
  - COMPLETE ASSEMBLY IS TO BE PREPARED FROM THE FACTORY
  - PROVIDE WITH MANIFOLD RECIRCULATION SYSTEM PREPARED HIGH/LOW MIXING VALVE WITH DUAL TEMPERATURE RETURNS AND APOXY-COATED MOUNTING STRUT BY LAMLER VALVE CO. OR APPROVED EQUAL. SEE TEMPERATURE VALVE DETAIL FOR FURTHER INFO.
  - COORDINATE WITH DIV 16 FOR ELECTRICAL
  - BRONZE FITTED FOR DOMESTIC WATER USE
  - AQUASTAT MUST BE USED FOR TEMPERING VALVE TO WORK PROPERLY.

WATER SOFTENER SCHEDULE (OF-O)	
TAG	WS-1
MAKE	ECOWATER
MODEL	2400
TYPE	1/2" NPT
TEMPERATURE	120°F
FLOW (GPM)	10
VOLTAGES	120V/60/1PH
CONTROL	AQUASTAT/TIMER

SUMP PUMP SCHEDULE	
TAG	SP-1
MAKE	ZOELLER
MODEL	137
TYPE	1/2" NPT
TEMPERATURE	120°F
FLOW (GPM)	10
VOLTAGES	120V/60/1PH
CONTROL	FLOAT
ALARM LEVEL CONTACTS	YES
CONTROL PANEL	YES

GREASE INTERCEPTOR SCHEDULE	
TAG	GI-1
MAKE	SCHER
MODEL	GB2
TYPE	1/2" NPT
TEMPERATURE	120°F
FLOW (GPM)	10
VOLTAGES	120V/60/1PH
CONTROL	FLOAT
ALARM LEVEL CONTACTS	YES
CONTROL PANEL	YES

DOMESTIC WATER BOOSTER PUMP SCHEDULE	
TAG	DBP-1
SERVICE	DOM. WATER
MANUFACTURER	GRUND FOS
MODEL #	MULTI-BASE ZOME15-2
QTY.	2
HP	5 EA
RPM	3600
GPM	150
DESIGN HEAD (PSI)	30 (BOOST)
SUCT.	2'
DISCH.	2'
POS SUCT PRESS (PSIG)	20
ELEC. CHAR.	480V-60HZ-3PH

- NOTES:
- SYSTEM SHALL BE PACKAGED FULLY WIRED AND TESTED (TOTAL DESIGN GPM OF 100 GPM)
  - VARIABLE SPEED BRONZE FITTED, 5 HP DUPLEX PUMP, PREMIUM EFFICIENT MOTORS, UL LISTED, ODP MOTORS/VARIABLE FREQUENCY DRIVES
  - WITH CONTROL PANEL, ALTERATION, CHECK VALVES ON PUMP DISCHARGE, ETI LISTED, LOW SUCTION PRESSURE CUT-OUT, ISOLATION VALVES, THERMAL RELIEF SYSTEM, NO-FLOW SHUTDOWN AND HIGH SYSTEM PRESSURE ALARM. PROVIDE 3% INFLU FILTER.
  - 2" HEADER MATERIAL SHALL BE TYPE L COPPER
  - PROVIDE BLAZER TANK, BELL AND GOSSET WTA 451 (2" DIA. X 74" HIGH) SO THAT PUMPS DO NOT SHORT CYCLE (VERIFY SIZE W/MFG.)
  - PROVIDE FIELD ALIGNMENT AND STARTUP
  - BAG AND WILD PUMPS ARE APPROVED EQUAL.

**RJT**  
**TR**

**RULE JOY TRAMMELL RUBIO**  
ARCHITECTURE INTERIORDESIGN

300 Galleria Parkway Suite 740 Atlanta, Georgia 30308  
770-661-1492 (phone) 770-661-1493 (fax)  
www.rjtrdesign.com

PRINTED  
DATE 11/01/18  
ISSUE/REVISION  
ISSUED FOR PERMIT

**MARTIN**  
MECHANICAL DESIGN INC.

102 28th Ave N  
PO Box 1000  
Nashville TN 37203  
615-259-7077  
www.martinmechanical.com

**GEORGIA**  
REGISTERED  
PROFESSIONAL  
ENGINEER  
11/7/18

**EXTENDED STAY AMERICA**

POOLER, GEORGIA

COMMISSION NO: 18-120-00  
DRAWING NO:  
**P3.2**

Order Plans @