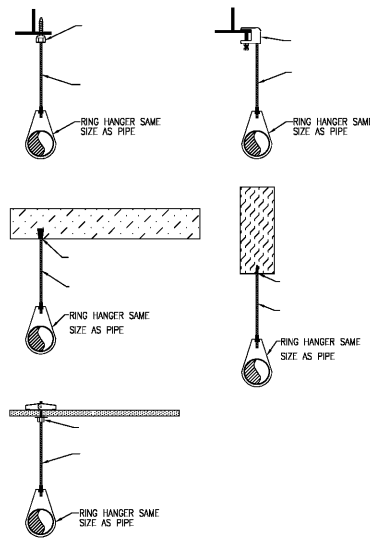
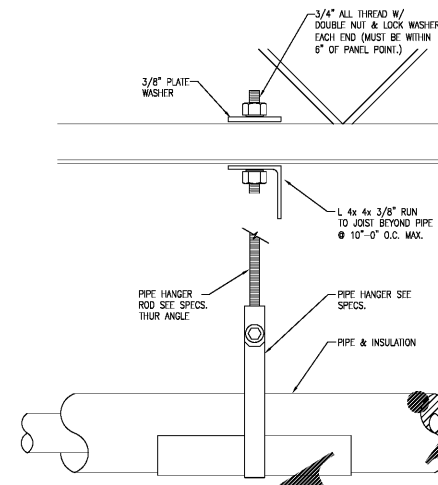


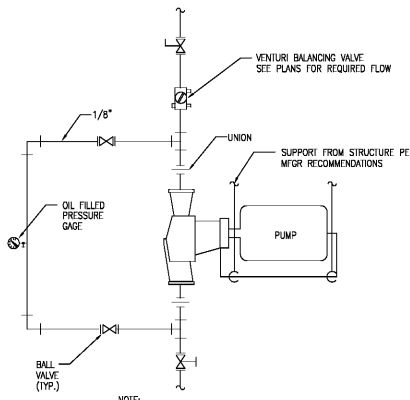
1 FIRE PROTECTION WATER SERVICE DETAIL
NO SCALE



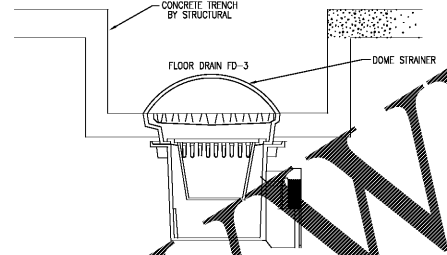
2 TYPICAL FP HANGER DETAILS
NO SCALE



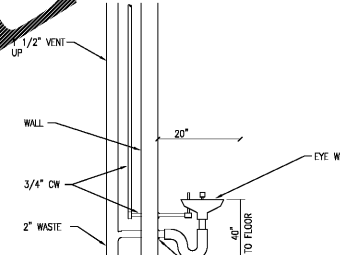
3 PIPE SUPPORT (PARALLEL TO JOIST)
NO SCALE



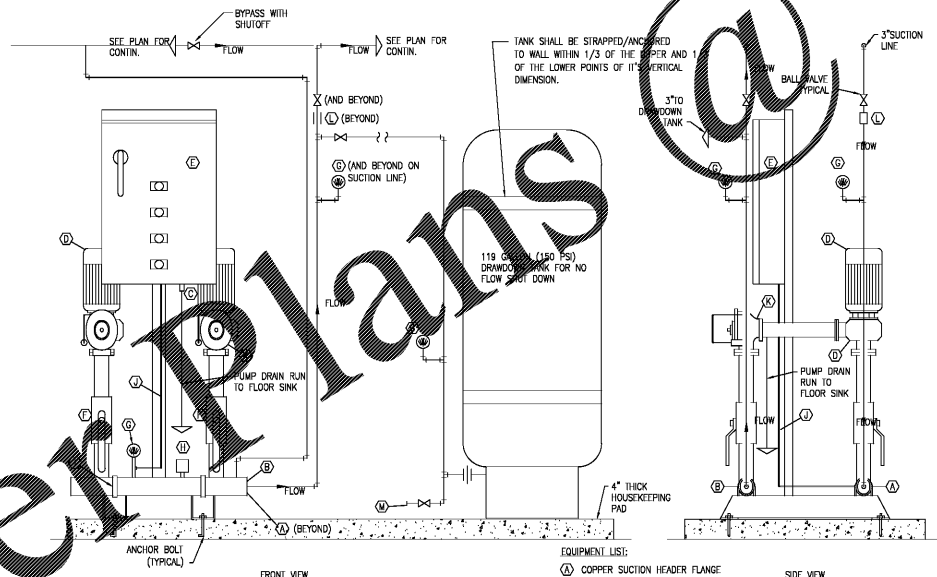
4 VERTICAL INLINE PUMP DETAIL
NO SCALE



5 FLOOR DRAIN FD-3 DETAIL
NO SCALE

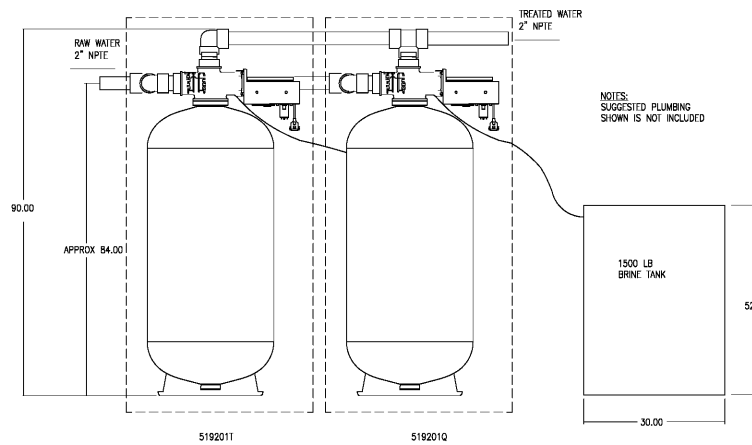
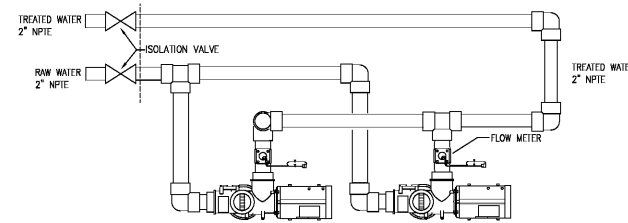


6 EMERGENCY EYEWASH DETAIL
NO SCALE



- EQUIPMENT LIST:**
- ① COPPER SUCTION HEADER FLANGE
 - ② COPPER DISCHARGE HEADER FLANGE
 - ③ SOLENOID VALVE
 - ④ PUMP & MOTOR (TYPICAL)
 - ⑤ CONTROL PANEL
 - ⑥ BRONZE BALL VALVE
 - ⑦ PRESSURE GAUGE
 - ⑧ ADJUST (TEMPERATURE GAUGE)
 - ⑨ RUBBER ISOLATION CUSHION
 - ⑩ SUCTION PRESSURE LINE
 - ⑪ CHECK VALVE
 - ⑫ LOW SYSTEM PRESSURE CUT OFF SWITCH
 - ⑬ TANK DRAIN WITH MALE HOSE CONNECTION

7 DOMESTIC BOOSTER PUMP PIPING
NO SCALE



NOTES: 1. 7 GRANS PER GALLON (GPG) HARDNESS IS BETWEEN 7 & 10 GPG. SOFTEN ONLY THE BUILDING HOT WATER BEFORE THE WATER HEATERS (DOES NOT REQUIRE A BLENDING VALVE - 0 GPG IS ACCEPTABLE ON HW-ONLY SYSTEM). IF THE HARDNESS IS GREATER THAN 10 GPG, SOFTEN THE ENTIRE DOMESTIC SERVICE AS SHOWN ON THIS SET OF DOCUMENTS.

8 DUPLEX WATER SOFTENER DETAIL
NO SCALE



RULE JOY TRAMMELL RUBIO
ARCHITECTURE INTERIORDESIGN
300 Galleria Parkway Suite 740 Atlanta, Georgia 30338
770-661-1492 (phone) 770-661-1493 (fax)
www.rjtrdesign.com

PRINTED	
DATE	ISSUE/REVISION
11/01/18	ISSUED FOR PERMIT



EXTENDED STAY AMERICA
POOLER, GEORGIA

COMMISSION NO: 18-120.00
DRAWING NO:
P3.1

Order Plans

WWW.LDLINE.COM