



RULE JOY TRAMMELL RUBIO
 ARCHITECTURE INTERIORDESIGN
 300 Galleria Parkway Suite 740 Atlanta, Georgia 30303
 770-661-1493 (phone) 770-661-1493 (fax)
 www.rjtrdesign.com

PRINTED

DATE	ISSUE/REVISION
11/01/18	ISSUED FOR PERMIT

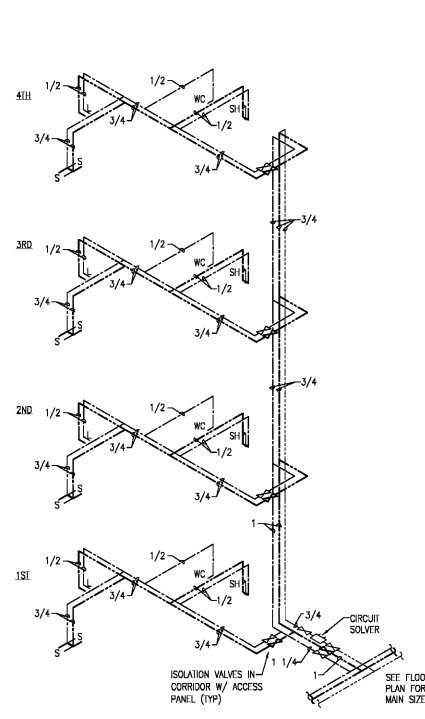


EXTENDED STAY AMERICA
 POOLER, GEORGIA

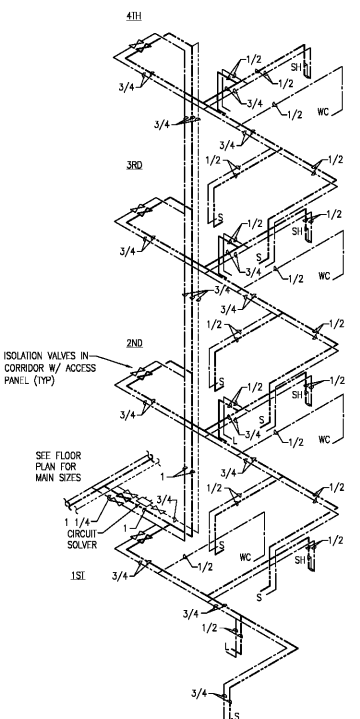
COMMISSION NO. 18-120.00

DRAWING NO.

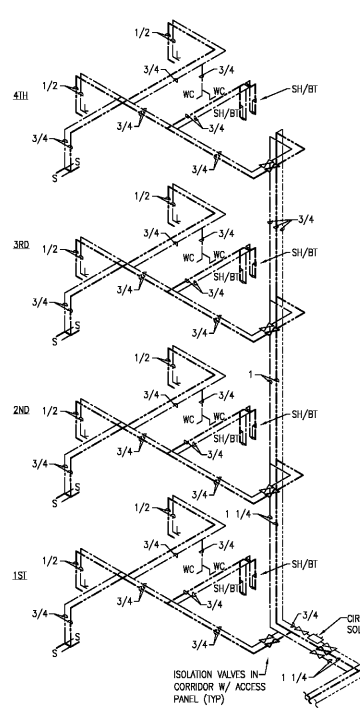
P2.2



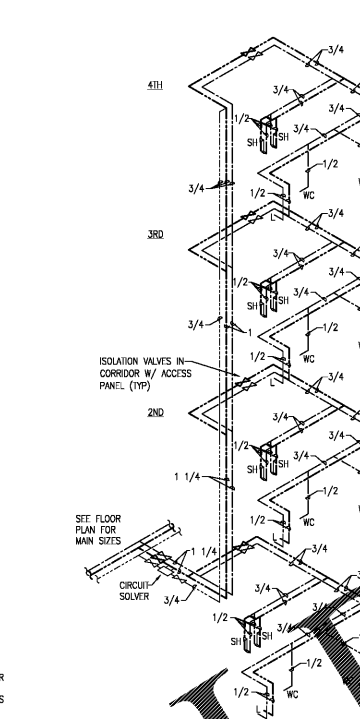
1 HOT & COLD WATER DIAGRAM
NO SCALE



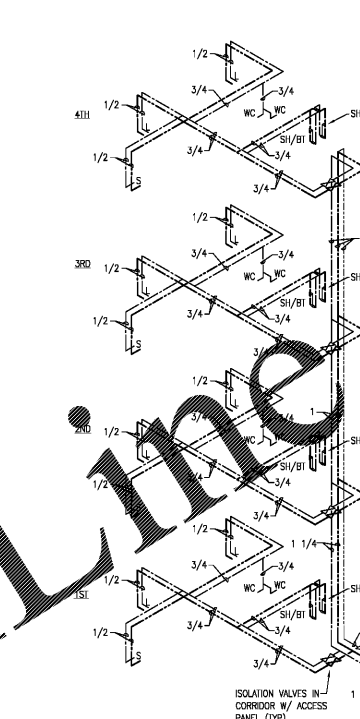
2 HOT & COLD WATER DIAGRAM
NO SCALE



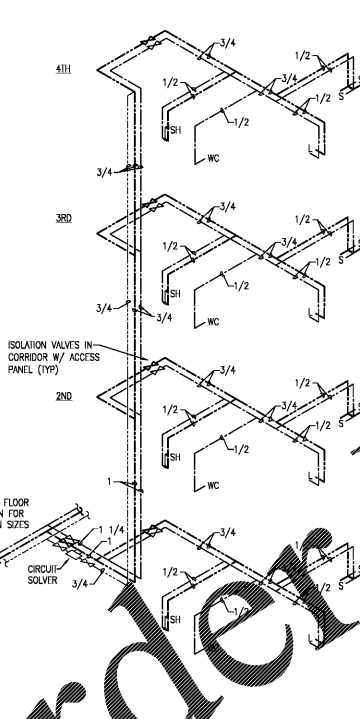
3 HOT & COLD WATER DIAGRAM
NO SCALE



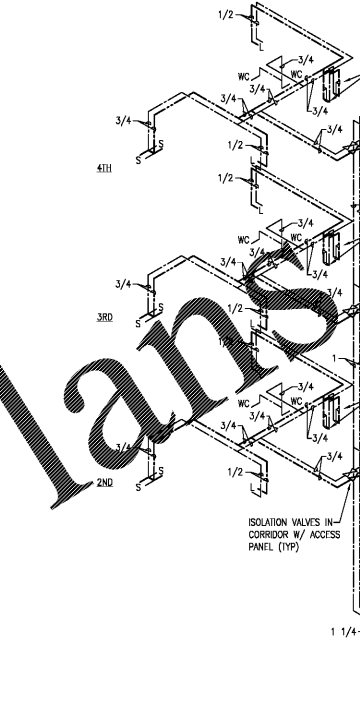
4 HOT & COLD WATER DIAGRAM
NO SCALE



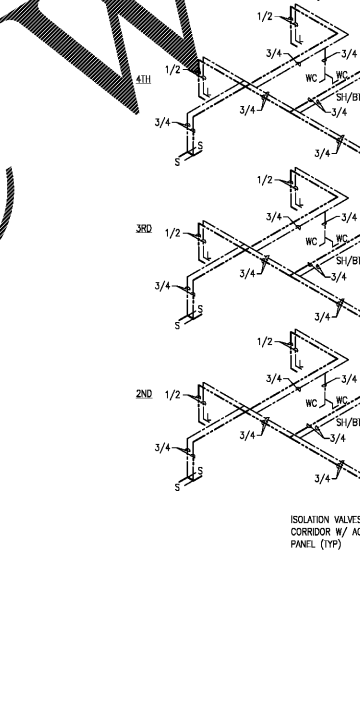
5 HOT & COLD WATER DIAGRAM
NO SCALE



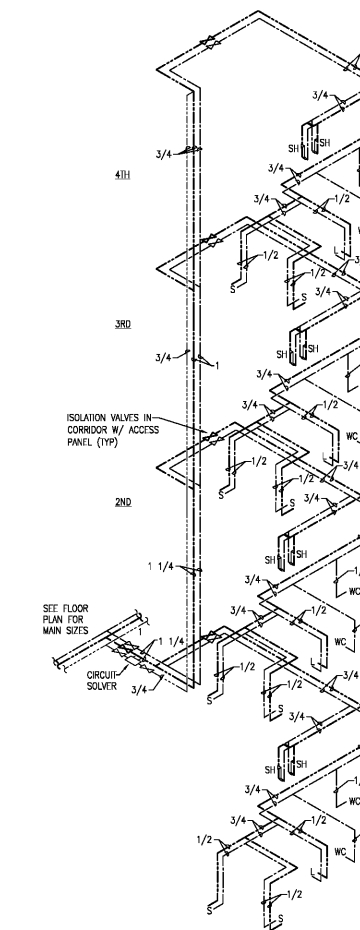
6 HOT & COLD WATER DIAGRAM
NO SCALE



7 HOT & COLD WATER DIAGRAM
NO SCALE



8 HOT & COLD WATER DIAGRAM
NO SCALE



9 HOT & COLD WATER DIAGRAM
NO SCALE

Order Plans @

WWW.LDLINE.COM