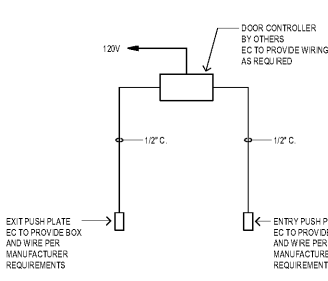


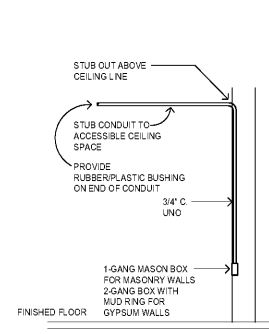
DOOR ACCESS CONTROL  
ROUGH-IN DETAIL

1 E801 SCALE: NONE



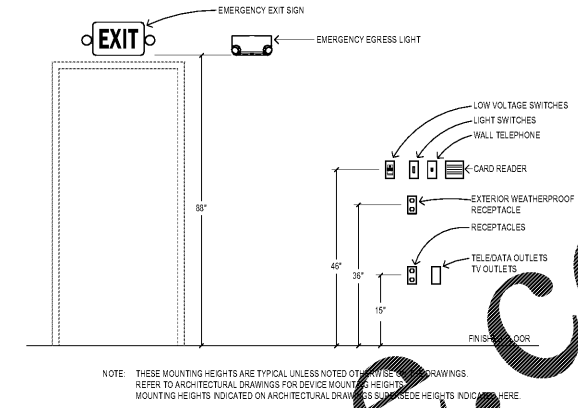
ADA DOOR ROUGH-IN DETAIL

2 E801 SCALE: NONE



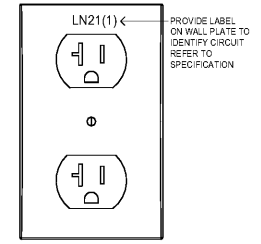
COMMUNICATION  
DEVICE ROUGH-IN DETAIL

3 E801 SCALE: NONE



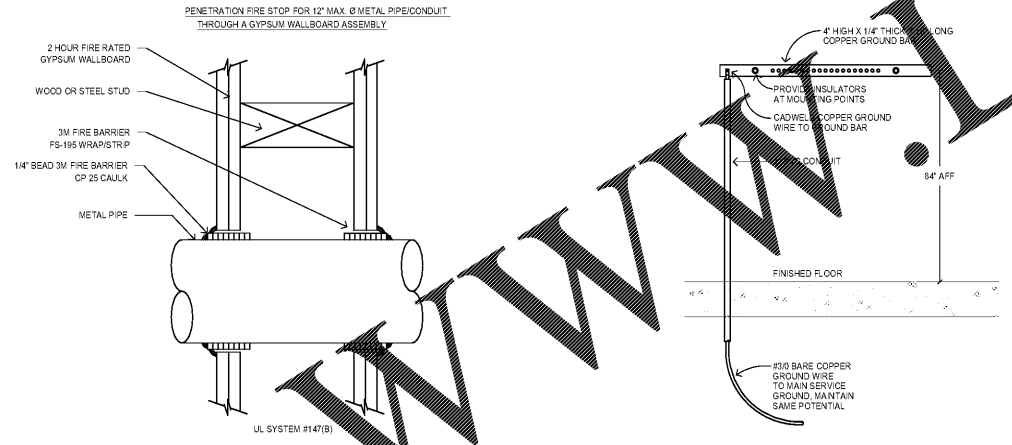
TYPICAL DEVICE MOUNTING HEIGHT DETAIL

4 E801 SCALE: NONE



RECEPTACLE  
FACEPLATE LABEL DETAIL

5 E801 SCALE: NONE

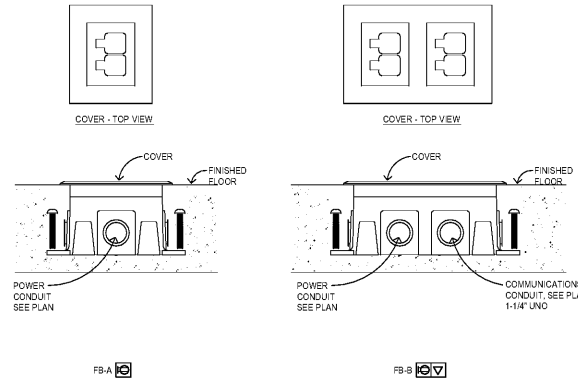


PENETRATION THROUGH FIRE  
RATED WALL DETAIL

6 E801 SCALE: NONE

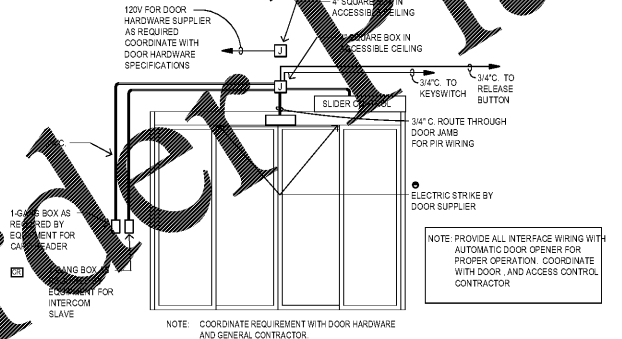
FLOOR BOX SCHEDULE

BOX ID	DESCRIPTION	CATALOG NUMBER	COVER	DEVICE COVER PLATES	COLOR
FB-A	1-GANG NON-METALLIC FULLY ADJUSTABLE ON GRADE APPLICATION	STEEL CITY 641-114-AL	STEEL CITY 641-P-CAC-BLK	PER PLAN	BLACK
FB-C	2-GANG NON-METALLIC FULLY ADJUSTABLE ON GRADE APPLICATION	STEEL CITY 642-114-AL	STEEL CITY 642-P-CAC-BLK	PER PLAN	BLACK



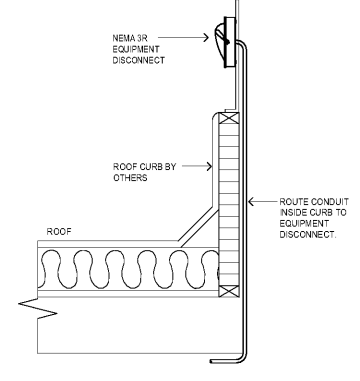
FLOOR BOX DETAILS

7 E801 SCALE: NONE



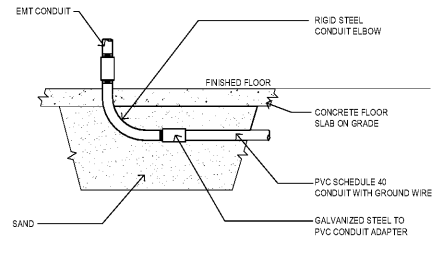
SLIDING GLASS DOOR DETAIL

8 E801 SCALE: NONE



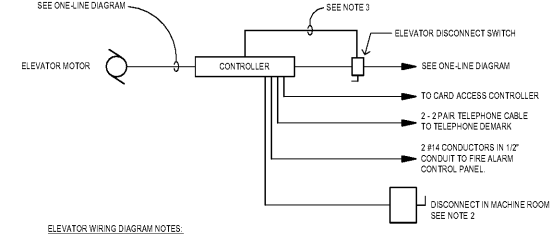
CONDUIT FOR ROOF-MOUNTED  
EQUIPMENT

9 E801 SCALE: NONE



CONDUIT  
PENETRATION THROUGH FLOOR

10 E801 SCALE: NONE



ELEVATOR HOOK-UP DETAIL

11 E801 SCALE: NONE

**RUBIO**

**RULE JOY TRAMMELL RUBIO ARCHITECTURE INTERIOR DESIGN**

300 Galleria Parkway Suite 740 Atlanta, Georgia 30329  
770-661-1492 (phone) 770-661-1493 (fax)  
www.rjtdesign.com

PRINTED

DATE	ISSUE/REVISION
11/01/18	ISSUED FOR PERMIT

**JB Electrical Design, P.C.**

Electrical Consulting Engineers

8338 Birch Street  
Minneapolis, MN 55445  
763.886.0965  
jrb@jbelectricaldesign.com  
JED Lic. No. 2013.943  
© 2018 by JB Electrical Design, PC

**GEORGE J. BERRY**

REGISTERED PROFESSIONAL ENGINEER

MINNESOTA

11/1/18

**EXTENDED STAY AMERICA**

POOLER, GA

COMMISSION NO: 18-120.00

DRAWING NO:

**E801**