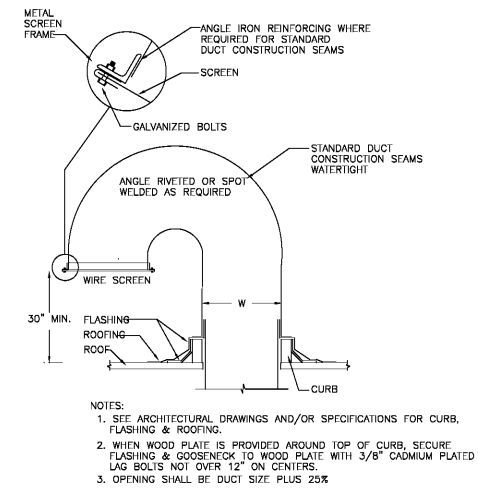
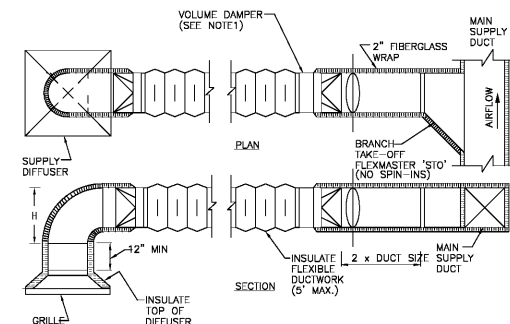


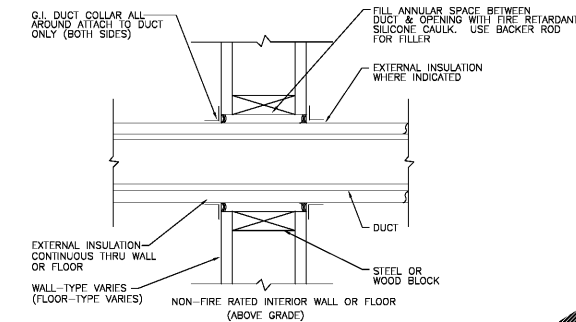
PRINTED	
DATE	ISSUE/REVISION
11/01/18	ISSUED FOR PERMIT



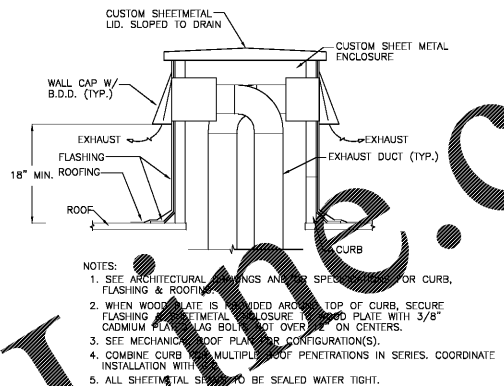
1 TYPICAL GOOSENECK DETAIL
NO SCALE



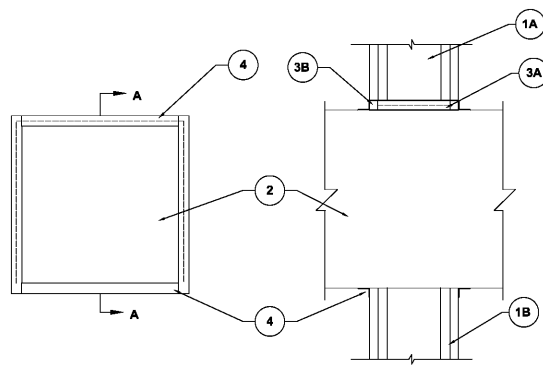
2 FLEXIBLE DUCT CONNECTION TO DIFFUSER
NO SCALE



3 DUCT SLEEVE DETAIL (NON FIRE RATED)
NO SCALE

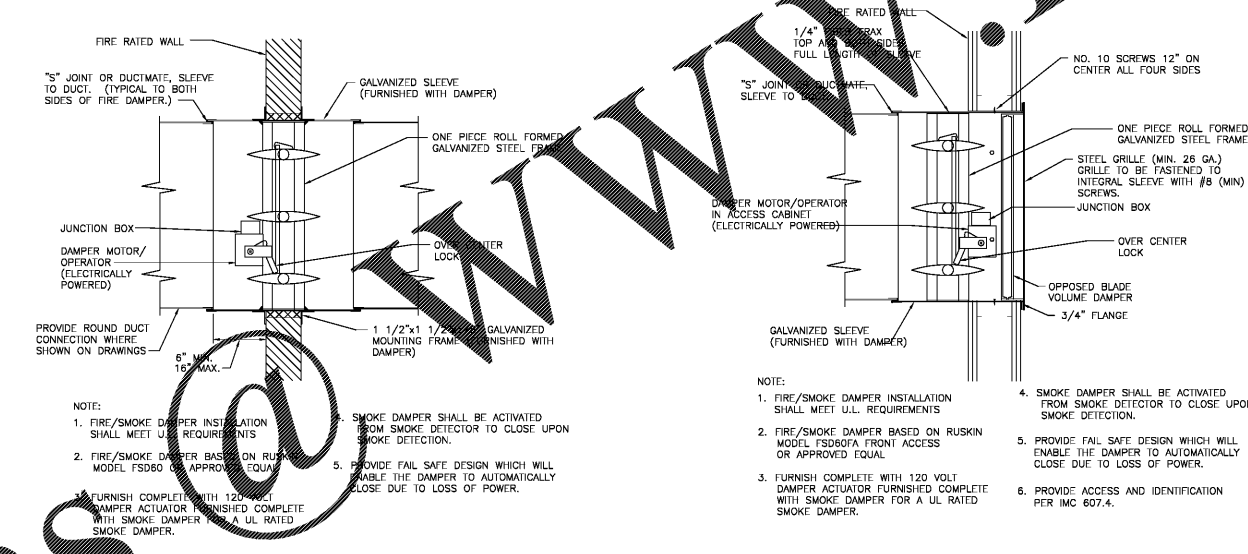


4 EXHAUST PENETRATIONS
NO SCALE

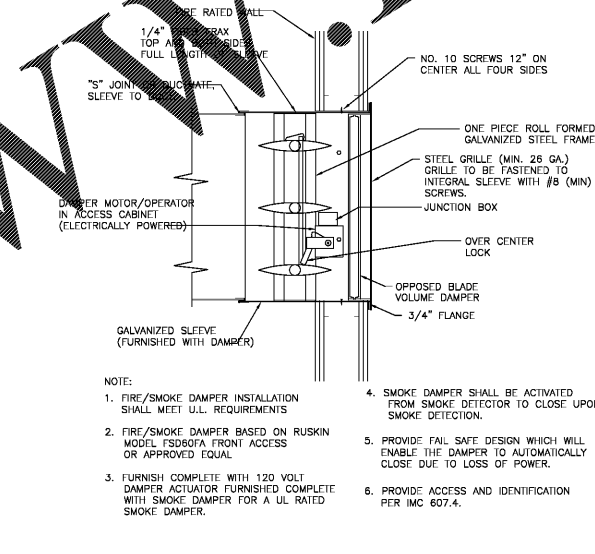


WALL ASSEMBLY: THE 1 OR 2 HR FIRE-RATED GYPSUM BOARD/STUD WALL ASSEMBLY SHALL BE CONSTRUCTED OF THE MATERIALS AND IN THE MANNER SPECIFIED IN THE INDIVIDUAL L400 OR V400 SERIES WALL AND PARTITION DESIGNS IN THE UL FIRE RESISTANCE DIRECTORY AND SHALL INCLUDE THE FOLLOWING CONSTRUCTION FEATURES:
A. STUDS - WALL FRAMING SHALL CONSIST OF STEEL CHANNEL STUDS. STEEL STUDS TO BE MIN 2-1/2 IN. (64 MM) WIDE AND SPACED MAX 24 IN. (610 MM) OC. ADDITIONAL FRAMING MEMBERS SHALL BE USED TO COMPLETELY FRAME AROUND OPENING.
B. GYPSUM BOARD - THE GYPSUM BOARD TYPE, THICKNESS, NUMBER OF LAYERS AND ORIENTATION SHALL BE, AS SPECIFIED IN THE INDIVIDUAL WALL AND PARTITION DESIGN. MAX SIZE OF OPENING IS 48x48 IN. (1.22 M) WITH A MAX DIMENSION OF 22 IN. (559 MM).
THE HOURLY F RATING OF THE FIRESTOP SYSTEM IS EQUAL TO THE HOURLY FIRE RATING OF THE WALL IN WHICH IT IS INSTALLED.
STEEL DUCT - NOM 21 BY 21 IN. (533 BY 533 MM) (OR SMALLER) NO. 24 GAUGE (OR HEAVIER) STEEL DUCT TO BE INSTALLED CONCENTRICALLY OR ECCENTRICALLY WITHIN THE OPENING. THE ANNULAR SPACE BETWEEN THE DUCT AND PERIPHERY OF OPENING SHALL BE MIN 0 IN. (POINT CONTACT) TO MAX 1 IN. (25 MM). DUCT TO BE RIGIDLY SUPPORTED ON BOTH SIDES OF WALL ASSEMBLY.
FIRESTOP SYSTEM - THE FIRESTOP SYSTEM SHALL CONSIST OF THE FOLLOWING:
A. PACKING MATERIAL - MIN 2-3/4 OR 4 IN. (70 OR 102 MM) THICKNESS OF MIN 4 PCF (64 KG/M³) MINERAL WOOL BATT INSULATION FIRMLY PACKED INTO OPENING AS A PERMANENT FORM FOR 1 OR 2 HR FIRE RATED WALLS, RESPECTIVELY. PACKING MATERIAL TO BE RECESSED FROM BOTH SURFACES OF WALL TO ACCOMMODATE THE THICKNESS OF FILL MATERIAL.
B. FILL, VOID OR CAVITY MATERIAL - CAULK - MIN 1/4 IN. (6 MM) THICKNESS OF FILL MATERIAL APPLIED WITHIN THE ANNULUS, FLUSH WITH BOTH SURFACES OF WALL. AT POINT CONTACT LOCATION, A MIN IN (6 MM) DIAM BEAD OF FILL MATERIAL SHALL BE APPLIED TO THE WALL/DUCT INTERFACE ON BOTH SURFACES OF THE WALL.
RECTORSEAL - METACALK 3500 OR EQUAL
STEEL RETAINING ANGLES - NOM 2 BY 2 IN. (51 BY 51 MM) BY NO. 22 GAUGE (OR HEAVIER) STEEL ANGLES ATTACHED TO ALL FOUR SIDES OF DUCT ON BOTH SIDES OF WALL. THE ANGLES SHALL BE ATTACHED TO THE DUCT WITH NO. 8 (OR LARGER) SHEET METAL SCREWS SPACED MAX 2 IN. (51 MM) FROM EACH END OF DUCT AND SPACED A MAX OF 5 IN. (127 MM) OC.
***BEARING THE UL CLASSIFICATION MARK**

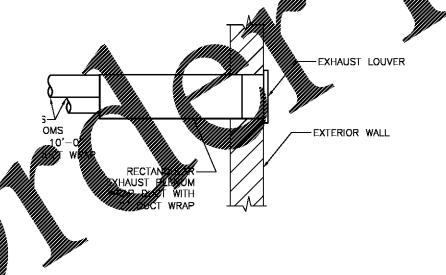
5 DUCT SLEEVE DETAIL (1-HR & 2-HR)
NO SCALE



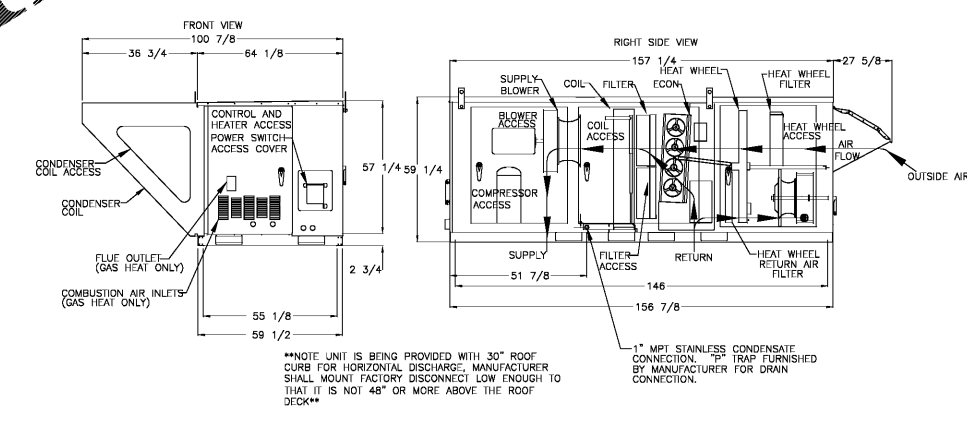
6 FIRE SMOKE DAMPER DETAIL
NO SCALE



7 FIRE SMOKE DAMPER AT GRILLE DETAIL
NO SCALE



8 MAIN LEVEL GUESTROOM EXHAUST LOUVER DETAIL
NO SCALE



9 DEDICATED OUTDOOR AIR UNIT
NO SCALE

Order Plans

NOTE UNIT IS BEING PROVIDED WITH 30" ROOF CURB FOR HORIZONTAL DISCHARGE. MANUFACTURER SHALL MOUNT FACTORY DISCONNECT LOW ENOUGH TO THAT IT IS NOT 48" OR MORE ABOVE THE ROOF DECK