



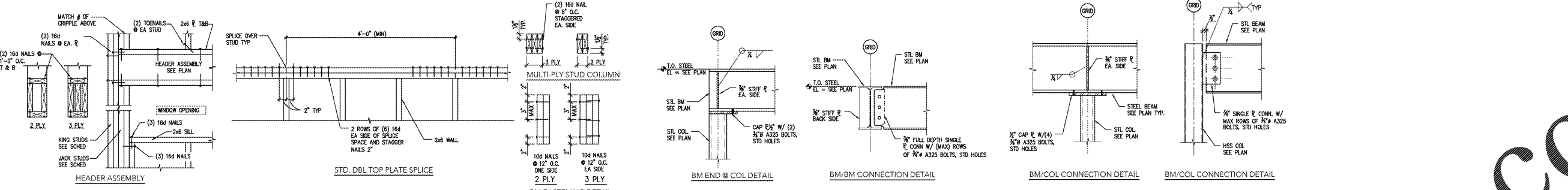
RULE JOY TRAMMELL RUBIO
 ARCHITECTURE INTERIOR DESIGN
 300 Galleria Parkway Suite 740 Atlanta, Georgia 30338
 770-661-1492 (phone) 770-661-1493 (fax)
 www.rjtrdesign.com

PRINTED
 DATE 11/01/18
 ISSUE/REVISION FOR PERMIT

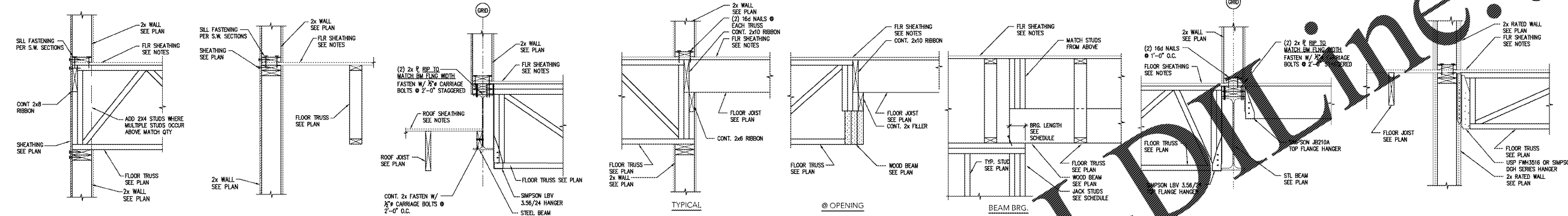


ISSUED FOR PERMIT
 FRAMING DETAILS
EXTENDED STAY OF AMERICA
 POOLER, GA

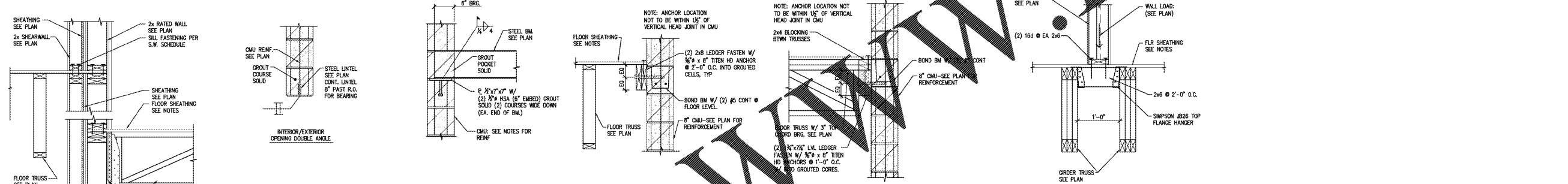
COMMISSION NO. 18-120-00
 DRAWING NO. **S401**



STANDARD WOOD & STEEL FRAMING DETAILS

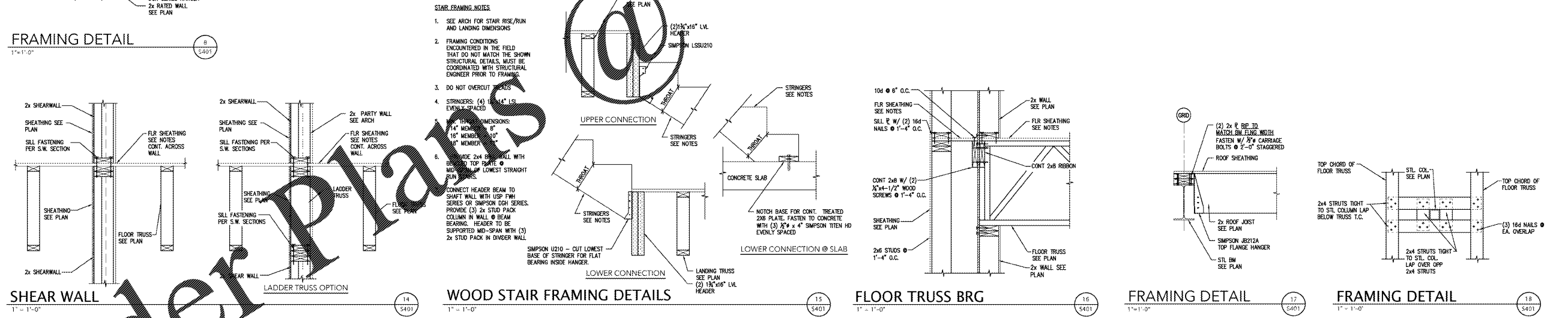


FLOOR TRUSS BRG 1"=1'-0" S401
DECK BEARING 1"=1'-0" S401
FLOOR TRUSS BRG 1"=1'-0" S401
JOIST BEARING 1"=1'-0" S401
TRUSS BEARING 1"=1'-0" S401
FRAMING DETAIL 1"=1'-0" S401



STL LINTEL DETAIL 1"=1'-0" S401
HOIST BM BRG 1"=1'-0" S401
DECK BRG 1"=1'-0" S401
TRUSS BRG 1"=1'-0" S401
FRAMING DETAIL 1"=1'-0" S401

- STAIR FRAMING NOTES**
- SEE ARCH FOR STAIR RISE/RUN AND LANDING DIMENSIONS
 - FRAMING CONDITIONS ENCOUNTERED IN THE FIELD THAT DO NOT MATCH THE SHOWN STRUCTURAL DETAILS MUST BE COORDINATED WITH STRUCTURAL ENGINEER PRIOR TO FRAMING
 - DO NOT OVERCUT WALLS
 - STRINGERS: (4) 12" x 14" LVL, EVENLY SPACED
 - MINIMUM DIMENSIONS: 14" MEMBERS, 8" 18" MEMBERS, 6" 8" MEMBERS
 - BEHIND 2x4 BRICK WALL WITH BEARING TOP PLATE @ MINIMUM OF LOWEST STRAIGHT RUN STAIRS
 - CONNECT HEADER BEAM TO SHARP WALL WITH USP FWH SERIES OR SIMPSON DOH SERIES. PROVIDE (3) 2x STUD PACK COLUMN IN WALL @ BEAM BEARING. HEADER TO BE SUPPORTED MID-SPAN WITH (3) 2x STUD PACK IN DIVIDER WALL.
 - SIMPSON UZ10 - OUT LOWEST BASE OF STRINGER FOR FLAT BEARING INSIDE HANGER.



FRAMING DETAIL 1"=1'-0" S401
SHEAR WALL 1"=1'-0" S401
LADDER TRUSS OPTION 1"=1'-0" S401
WOOD STAIR FRAMING DETAILS 1"=1'-0" S401
FLOOR TRUSS BRG 1"=1'-0" S401
FRAMING DETAIL 1"=1'-0" S401
FRAMING DETAIL 1"=1'-0" S401

Order Plans



1335 18th Avenue SE, Suite 500 - Marietta, GA 30066
 770.227.0022 www.sandmaneng.com Project: 18142-S