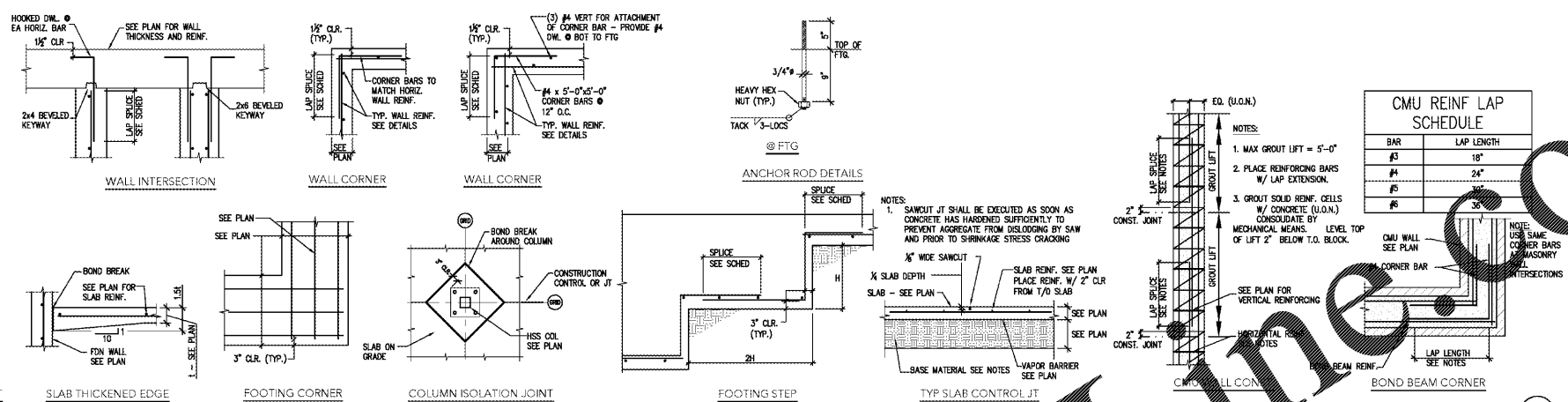


CONCRETE STRENGTH f'_c	TYPE #1 SPLICE CLASS A SPLICE	TYPE #2 SPLICE CLASS B SPLICE	TYPE #3 SPLICE CLASS B SPLICE	TYPE #4 SPLICE CLASS B SPLICE
3000 psi	#6 AND #7 AND SMALLER	#6 AND #7 AND SMALLER	#6 AND #7 AND SMALLER	#4 AND LARGER
4000 psi	44 Bd	55 Bd	57 Bd	71 Bd
5000 psi	47 Bd	49 Bd	62 Bd	85 Bd
6000 psi	50 Bd	52 Bd	65 Bd	92 Bd

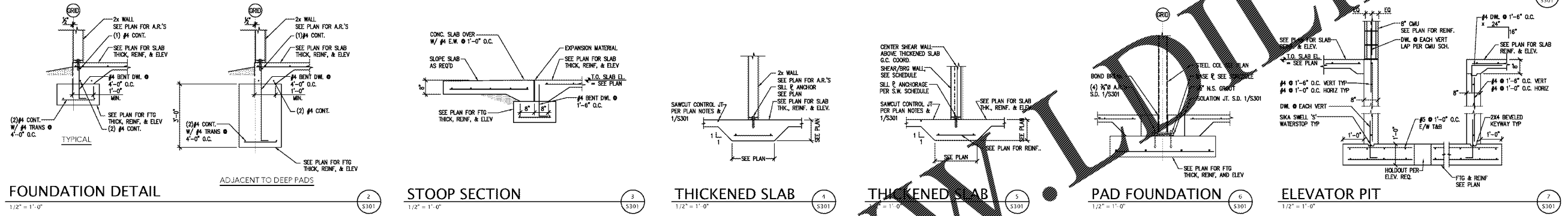
- NOTES:**
- MIN. LAP: 16" FOR TYPE #1 THRU TYPE #3 & 12" FOR TYPE #4 SPLICES.
 - REQD. SPLICE LENGTH = LISTED SPLICE LENGTH X ADJUSTMENT FACTORS
 - ADJUSTMENT FACTORS = 1.0 IF NONE BELOW APPLY
 - FOR HORIZ. REINFORCING W/ MORE THAN 12" OF FRESH CONCRETE PLACED BELOW BAR - ADJUSTMENT FACTOR = 1.3
 - FOR f_y OTHER THAN 60 KSI - ADJUSTMENT FACTOR = $f_y(USDF)/60$
 - FOR LIGHT WEIGHT CONCRETE - ADJUSTMENT FACTOR = 1.3
 - TYPICAL EPOXY COATED REINFORCING - ADJUSTMENT FACTOR = 1.2
 - EPOXY COATED REINFORCING W/ COVER LESS THAN 3/4" OR CLEAR SPACING LESS THAN 6 Bd - ADJUSTMENT FACTOR = 1.5
 - ALL ADJUSTMENT FACTORS THAT APPLY SHALL BE USED TO CALCULATE REQD SPLICE LENGTH.
 - UNLESS OTHERWISE NOTED ON PLAN OR DETAILS, LAP THE FOLLOWING BARS AS DEFINED IN LAP SPLICE TABLE ABOVE.
 - VERTICAL HOOKED OR STRAIGHT BARS EXTENDING FROM FOOTINGS, TYPE #4 SPLICE
 - HORIZONTAL BARS IN GRADE BEAMS, FOOTINGS, & FOUNDATION WALLS, TYPE #2 SPLICE
 - VERTICAL BARS IN COLUMNS & PIERS, TYPE #4 SPLICE
 - VERTICAL BARS IN BASEMENTS & RETAINING WALLS, TYPE #3 SPLICE
 - VERTICAL BARS ON PLAN OR DETAILS, LAP THE SLAB BARS WITH A LAP LENGTH OF 48 Bd.

CONCRETE REINFORCEMENT CLEAR COVER, U.L.O. (NON-PRESTRESSED)	CLEAR COVER
CONDITION & DESIGNATION	CLEAR COVER
CONCRETE CAST AGAINST & PERMANENTLY EXPOSED TO EARTH	3"
CONCRETE EXPOSED TO EARTH OR WEATHER: #6 THRU #10	2"
CONCRETE EXPOSED TO EARTH OR WEATHER: #5 OR SMALLER	1 1/2"
CONCRETE NOT EXPOSED TO WEATHER OR IN CONTACT WITH EARTH	
SLABS, WALLS, JOISTS: #14 & #10	1 1/2"
SLABS, WALLS, JOISTS: #11 & SMALLER	3/4"
BEAMS, COLUMNS (PRIMARY REINF, TIES, STIRRUPS, SPIRALS)	1 1/2"

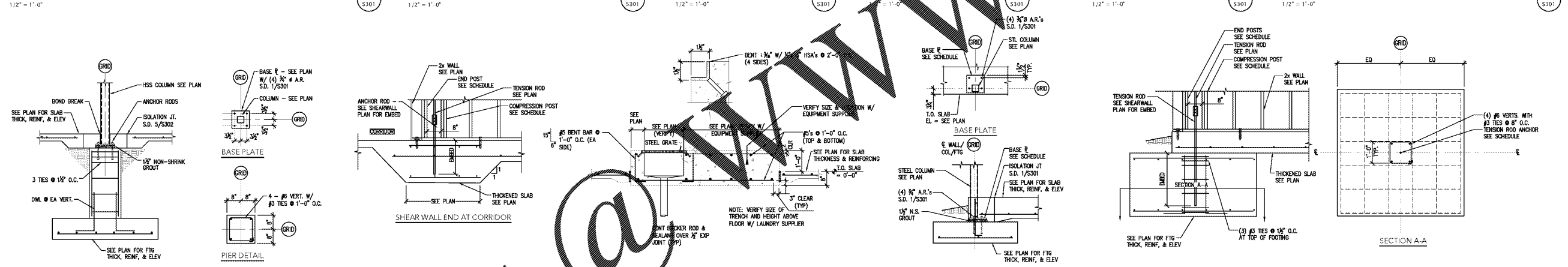


BAR	LAP LENGTH
#3	10"
#4	24"
#5	36"
#6	36"

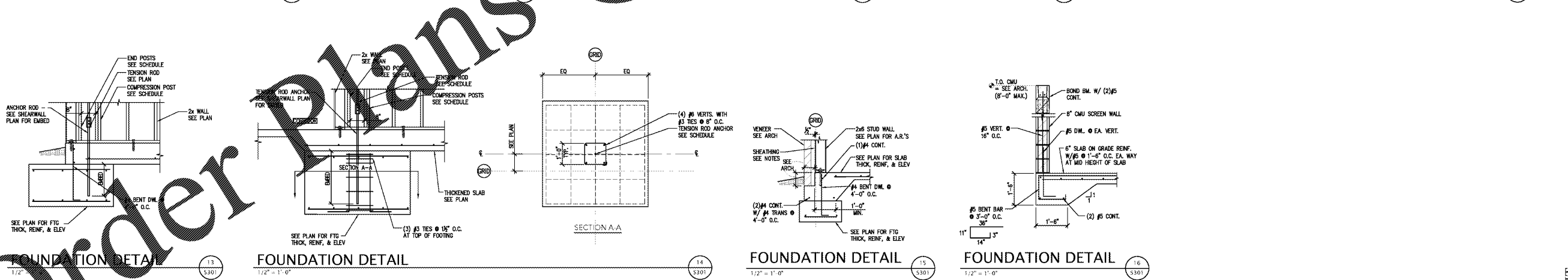
FOUNDATION STANDARD DETAILS



FOUNDATION DETAIL



INT. COL. PIER DTL. (P1)



FOUNDATION DETAIL



FOUNDATION DETAIL

FOUNDATION DETAIL

FOUNDATION DETAIL

FOUNDATION DETAIL

FOUNDATION DETAIL

FOUNDATION DETAIL

RJT
TR
Rule Joy Trammell Rubio
 ARCHITECTURE INTERIOR DESIGN
 300 Galleria Parkway Suite 740 Atlanta, Georgia 30338
 770-561-1492 (phone) 770-661-1493 (fax)
 www.rjtrdesign.com

PRINTED

DATE	ISSUE/REVISION
11/01/18	FOR PERMIT

GEORGIA REGISTERED PROFESSIONAL ENGINEER
 117-0016

ISSUED FOR PERMIT
 FOUNDATION PLAN
EXTENDED STAY OF AMERICA
 SANDMAN Structural Engineers
 1385 5th Avenue South - Marietta, GA 30066
 216.227.0000 www.sandmaneng.com Project 1814615
 COMMISSION NO. 18-120-00
 DRAWING NO. **S301**
 POOLER, GA