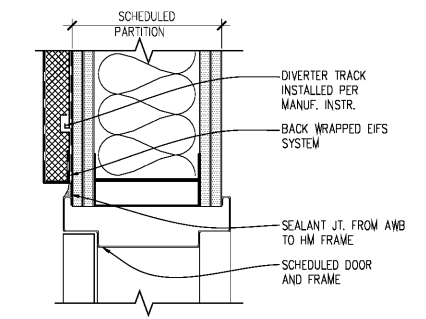
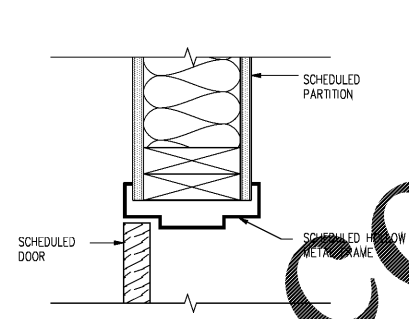




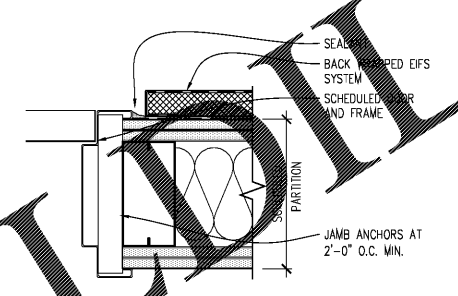
RULE JOY TRAMMELL RUBIC
 ARCHITECTURE INTERIOR DESIGN
 300 Galloway Parkway - Suite 740 - Atlanta, Georgia 30308
 770-661-1492 (phone) 770-661-1493 (fax)
 www.rjtinteriordesign.com



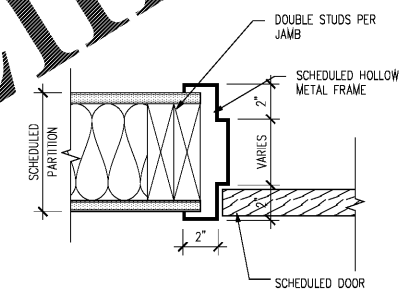
H2 HEAD DETAIL - HM DOOR @ EIFS
 Scale: 3" = 1'-0"



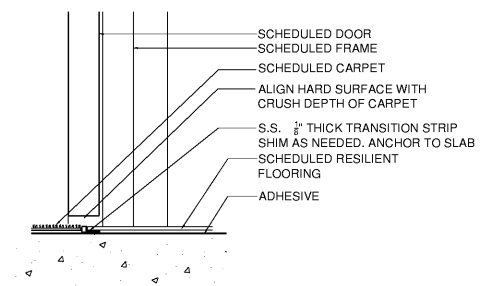
H1 HEAD DETAIL - INTERIOR DOOR TYP.
 Scale: 3" = 1'-0"



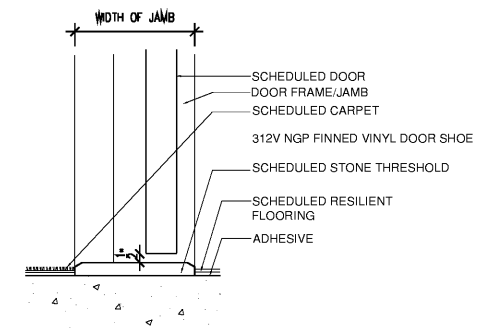
J2 JAMB DETAIL - HM DOOR @ EIFS
 Scale: 3" = 1'-0"



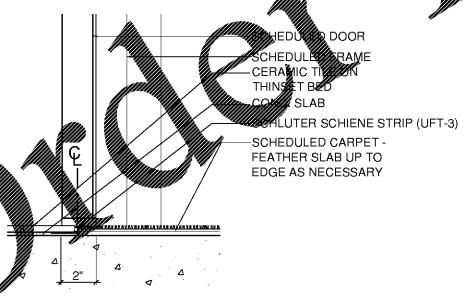
J1 JAMB DETAIL - INTERIOR DOOR TYP.
 Scale: 3" = 1'-0"



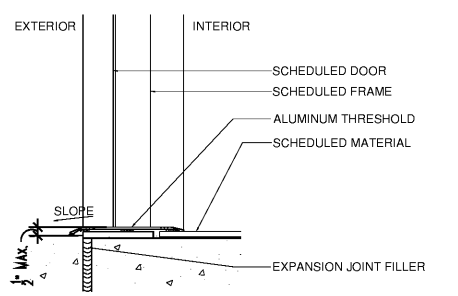
S7 CARPET/RESILIENT FLR SILL DTL
 Scale: 3" = 1'-0"



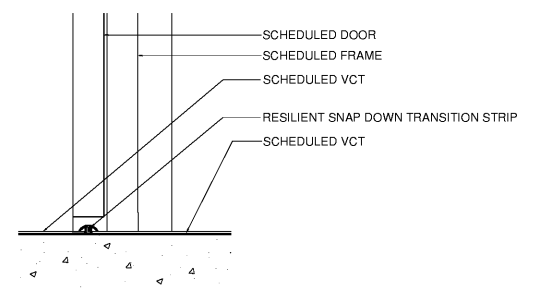
S6 CARPET/RESILIENT W/ STONE TRANS.
 Scale: 3" = 1'-0"



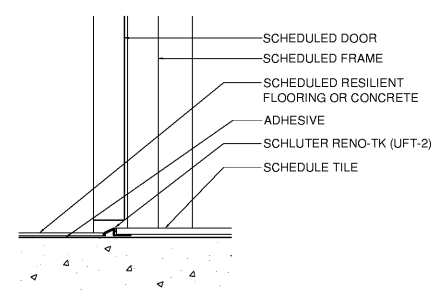
S5 TILE/CARPET SILL DETAIL
 Scale: 3" = 1'-0"



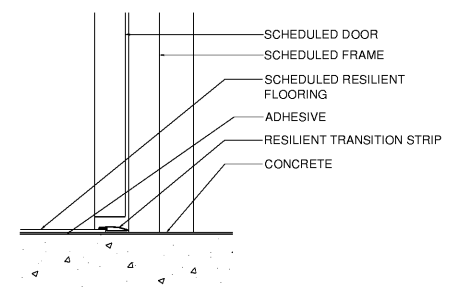
S4 EXTERIOR SILL DETAIL
 Scale: 3" = 1'-0"



S3 LVT/VCT SILL DETAIL
 Scale: 3" = 1'-0"

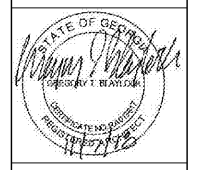


S2 TILE/RESILIENT SILL DETAIL
 Scale: 3" = 1'-0"



S1 CONC/RESILIENT FLR SILL DTL
 Scale: 3" = 1'-0"

PRINTED	
DATE	ISSUE/REVISION
11/01/18	Issued for Permit



EXTENDED STAY AMERICA
 HEAD, JAMB, SILL DETAILS
 COMMISSION NO: 18-2746-G
 DRAWING NO:

A9.02

Order Plans @ www.LDOnline.com

ISSUED FOR CONSTRUCTION

FOOLER, GA