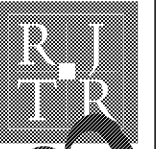


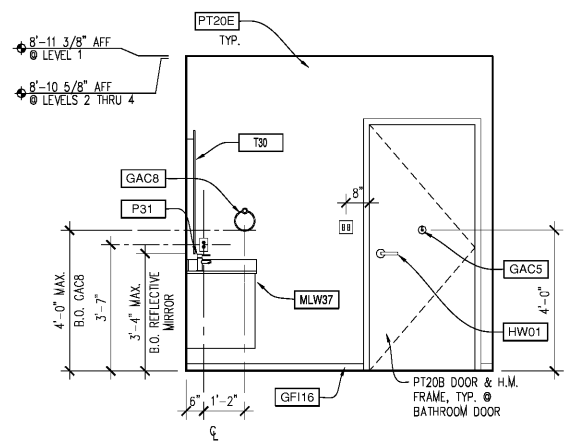
**INTERIOR ELEVATION GENERAL NOTES**

1. DIMENSIONS ARE TO FACE OF CYP. BOARD, UNO.
2. REFER TO SHEETS AT.06 & AT.07 FOR:
  - A. FINISHES
  - B. TOILET ACCESSORIES
  - C. EQUIPMENT
  - D. PLUMBING FIXTURES
  - E. INTERIOR ELEVATION SYMBOL LEGEND
  - F. MILLWORK FINISH LEGEND
3. SEE REFLECTED CEILING PLANS FOR CEILING FIXTURE AND DIFFUSER TYPES & LOCATIONS.
4. SEE FINISH PLANS FOR FINISH LIMITS.
5. SEE SHEET AT.04A & AT.04B FOR TYPICAL ADA CLEARANCES & MOUNTING REQUIREMENTS.
6. SEE SHEET A9.01 FOR DOOR SCHEDULE & ELEVATIONS. SEE A5.30 FOR WINDOW ELEVATIONS.
7. REFER TO INTERIOR ELEVATIONS FOR BATHROOM ACCESSORY MOUNTING HEIGHTS & POSITIONS.
8. REFER TO INTERIOR ELEVATIONS FOR WALL-MOUNTED DEVICE LOCATIONS. ALL OUTLETS CENTERED @ 18" A.F.F., UNO. ALL SWITCHES CENTERED @ 48" A.F.F., UNO.
9. WHERE SWITCHES AND/OR OUTLETS ARE ADJACENT, PLACE IN MULTI-GANG BOX, NOT MULTIPLE SINGLE-GANG BOXES.
10. SEE COMPLETE FLOOR PLANS IN A1 SERIES FOR ROOM TYPE LOCATIONS.

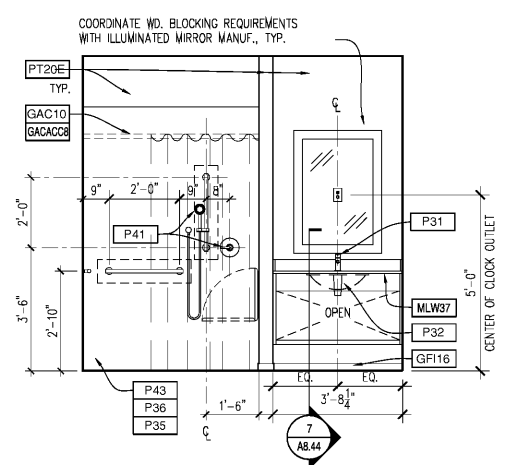


**RULE JOY TRAMMELL RUBIO**  
 ARCHITECTURE INTERIOR DESIGN  
 300 California Parkway Suite 740 Atlanta Georgia 30303  
 770-661-1492 (phone) 770-661-1493 (fax)  
 www.rjtinteriordesign.com

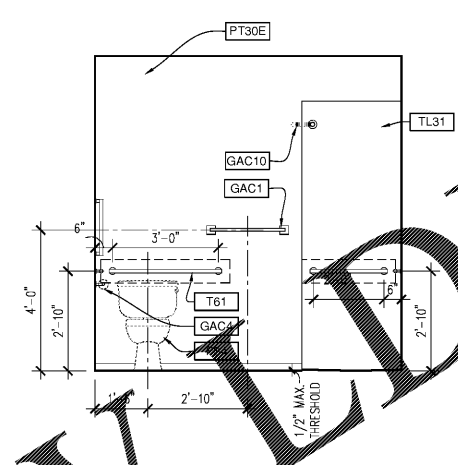
PRINTED	
DATE	ISSUE/REVISION
11/01/18	Issued for Permit



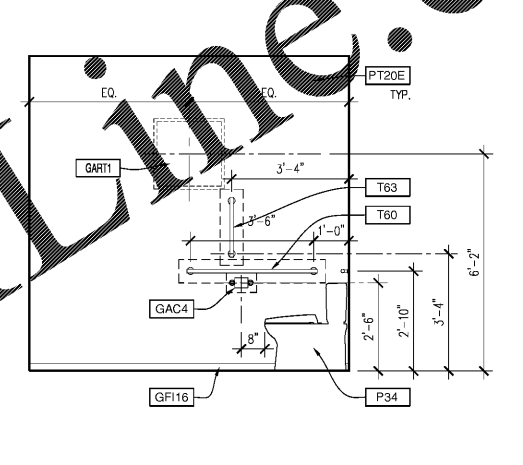
**8 ADA BATHROOM ELEVATION**  
 Scale: 1/2"=1'0"



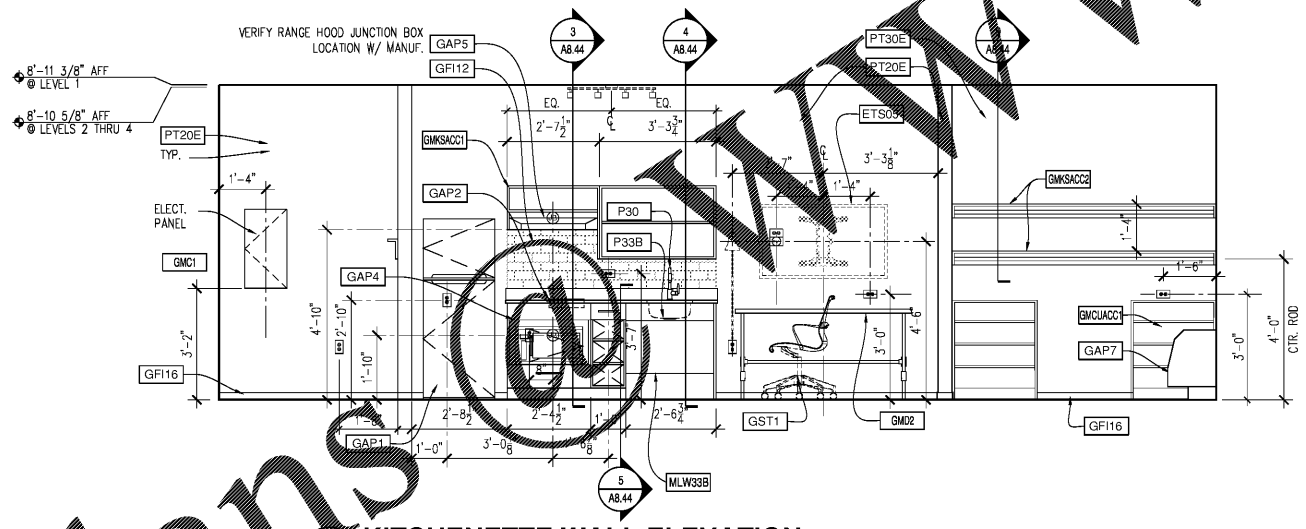
**7 ADA ROLL-IN SHOWER ELEVATION**  
 Scale: 1/2"=1'0"



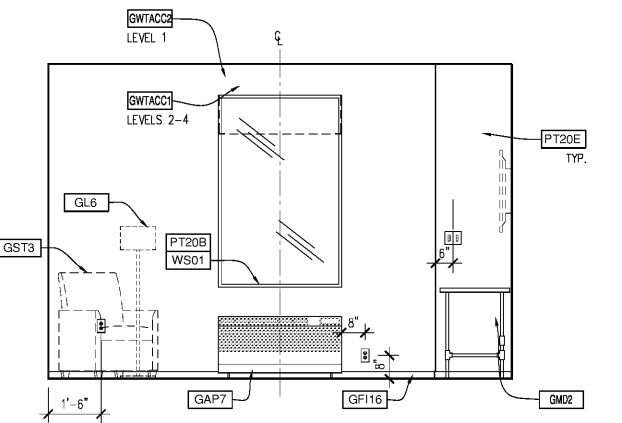
**6 ADA ROLL-IN SHOWER ELEVATION**  
 Scale: 1/2"=1'0"



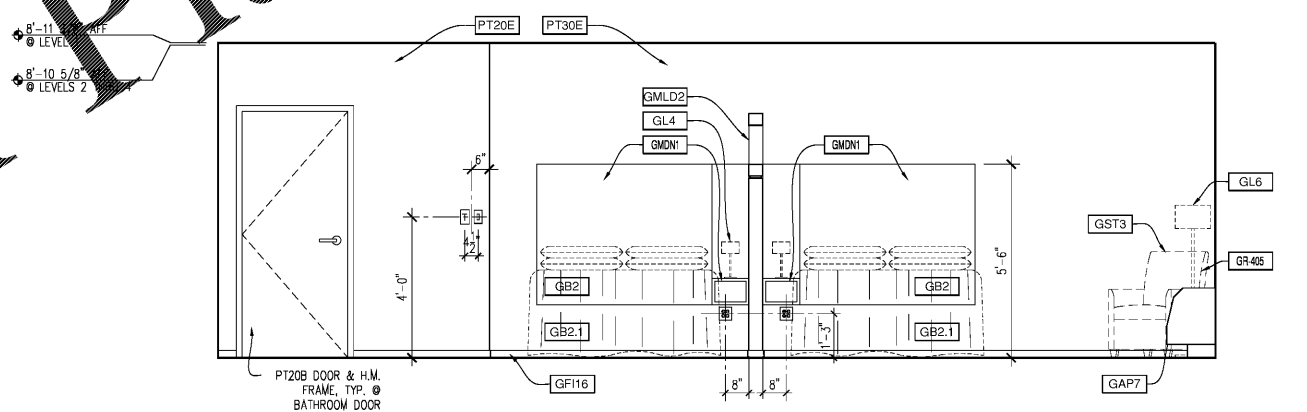
**5 ADA BATHROOM ELEVATION**  
 Scale: 1/2"=1'0"



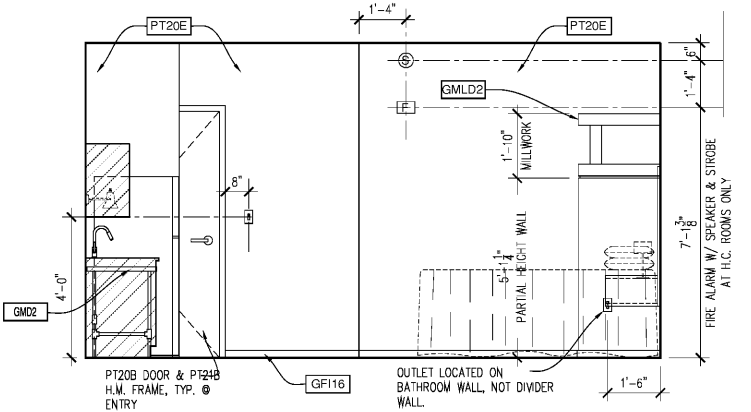
**4 KITCHENETTE WALL ELEVATION**  
 Scale: 1/2"=1'0"



**3 EXTERIOR WALL ELEVATION**  
 Scale: 1/2"=1'0"



**2 BATHROOM ENTRY ELEVATION**  
 Scale: 1/2"=1'0"



**1 BED WALL ELEVATION**  
 Scale: 1/2"=1'0"



ISSUED FOR CONSTRUCTION  
 IS-QQ ADA - INTERIOR ELEVATIONS  
 COMMISSION NO: 18-276-6  
 DRAWING NO:  
**EXTENDED STAY AMERICA**  
 POOLER, GA