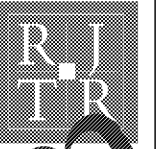


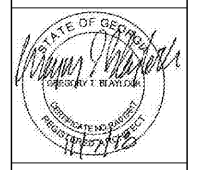
INTERIOR ELEVATION GENERAL NOTES

1. DIMENSIONS ARE TO FACE OF CYP. BOARD, UNO.
2. REFER TO SHEETS AT.06 & AT.07 FOR:
 - A. FINISHES
 - B. TOILET ACCESSORIES
 - C. EQUIPMENT
 - D. PLUMBING FIXTURES
 - E. INTERIOR ELEVATION SYMBOL LEGEND
 - F. MILLWORK FINISH LEGEND
3. SEE REFLECTED CEILING PLANS FOR CEILING FIXTURE AND DIFFUSER TYPES & LOCATIONS.
4. SEE FINISH PLANS FOR FINISH LIMITS.
5. SEE SHEET AT.04A & AT.04B FOR TYPICAL ADA CLEARANCES & MOUNTING REQUIREMENTS.
6. SEE SHEET A9.01 FOR DOOR SCHEDULE & ELEVATIONS. SEE AS.30 FOR WINDOW ELEVATIONS.
7. REFER TO INTERIOR ELEVATIONS FOR BATHROOM ACCESSORY MOUNTING HEIGHTS & POSITIONS.
8. REFER TO INTERIOR ELEVATIONS FOR WALL-MOUNTED DEVICE LOCATIONS. ALL OUTLETS CENTERED @ 18" A.F.F., UNL.O. ALL SWITCHES CENTERED @ 48" A.F.F., UNL.O.
9. WHERE SWITCHES AND/OR OUTLETS ARE ADJACENT, PLACE IN MULTI-GANG BOX, NOT MULTIPLE SINGLE-GANG BOXES.
10. SEE COMPLETE FLOOR PLANS IN A1 SERIES FOR ROOM TYPE LOCATIONS.



RULE JOY TRAMMELL RUBICON
 ARCHITECTURE INTERIOR DESIGN
 300 Galleria Parkway Suite 740 Atlanta Georgia 30303
 770-661-1492 (phone) 770-661-1493 (fax)
 www.rjttr.com

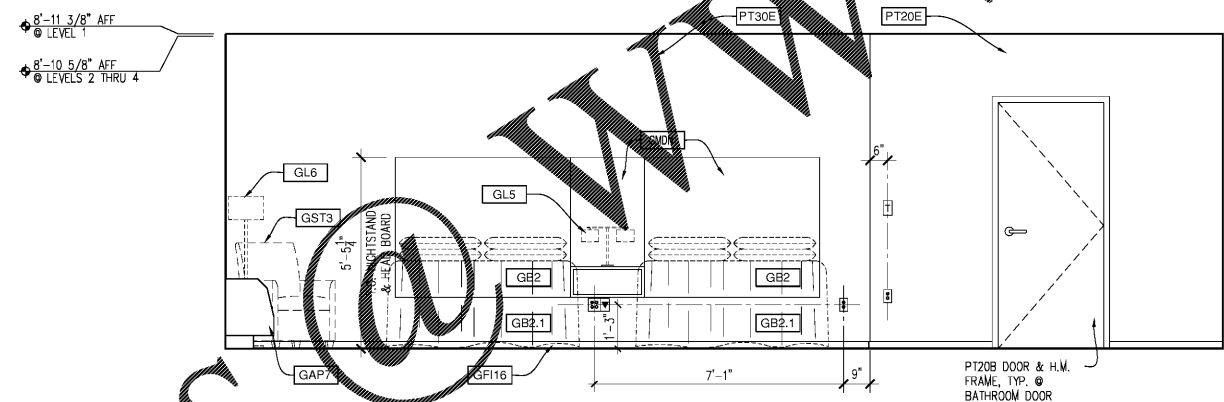
DATE	ISSUE/REVISION
11/01/18	Issued for Permit



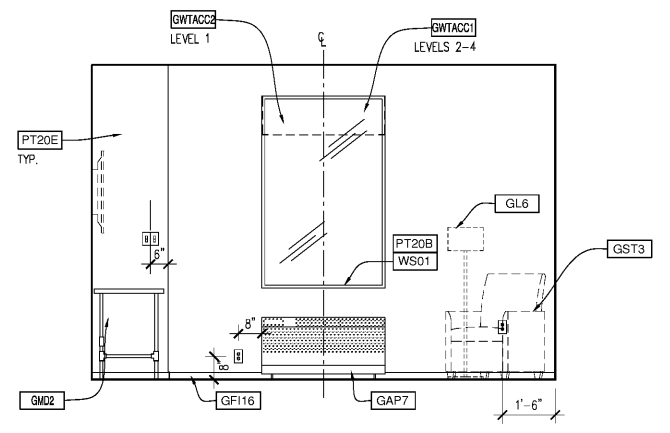
ISSUED FOR CONSTRUCTION
 SS-QQ ADA - INTERIOR ELEVATIONS
 EXTENDED STAY AMERICA
 FOOTLER, GA

COMMISSION NO: 18-274-6
 DRAWING NO:

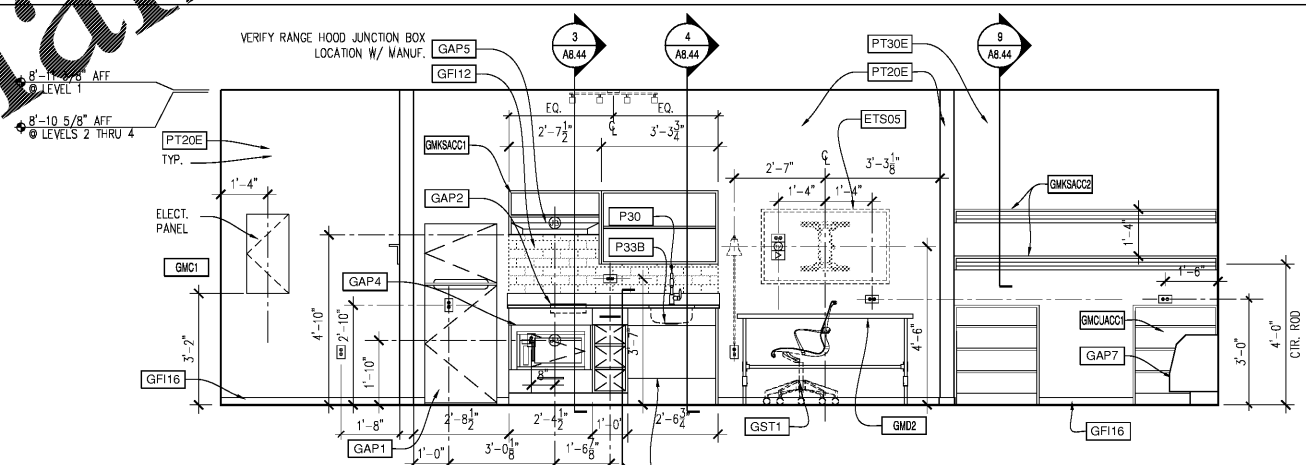
A8.07



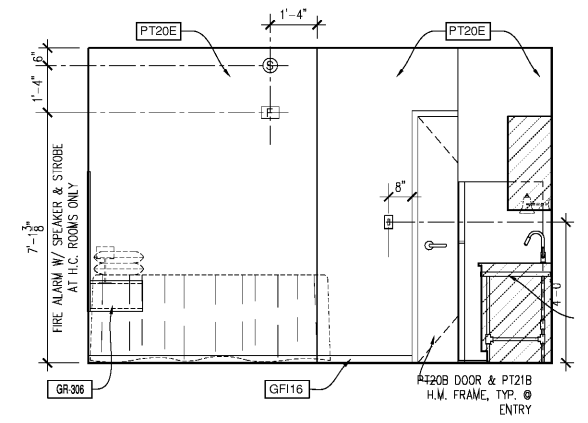
2 BED WALL ELEVATION
 Scale: 1/2"=1'0"



3 EXTERIOR WALL ELEVATION
 Scale: 1/2"=1'0"



2 KITCHENETTE WALL ELEVATION
 Scale: 1/2"=1'0"



1 ENTRY WALL ELEVATION
 Scale: 1/2"=1'0"

Order Plans @

WWW.LDILine.com