

**INTERIOR ELEVATION GENERAL NOTES**

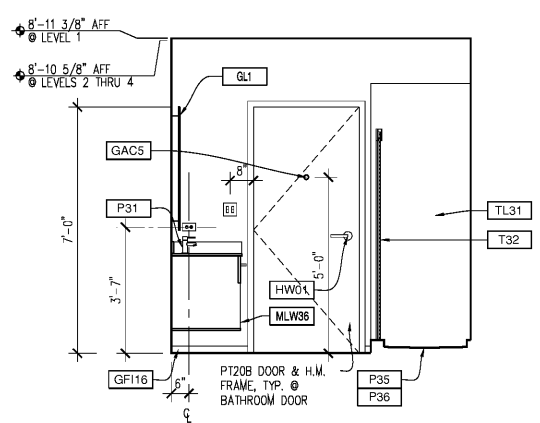
1. DIMENSIONS ARE TO FACE OF CYP. BOARD, UNO.
2. REFER TO SHEETS AT.06 & AT.07 FOR:
  - A. FINISHES
  - B. TOILET ACCESSORIES
  - C. EQUIPMENT
  - D. PLUMBING FIXTURES
  - E. INTERIOR ELEVATION SYMBOL LEGEND
  - F. MILLWORK FINISH LEGEND
3. SEE REFLECTED CEILING PLANS FOR CEILING FIXTURE AND DIFFUSER TYPES & LOCATIONS.
4. SEE FINISH PLANS FOR FINISH LIMITS.
5. SEE SHEET AT.04A & AT.04B FOR TYPICAL ADA CLEARANCES & MOUNTING REQUIREMENTS.
6. SEE SHEET A9.01 FOR DOOR SCHEDULE & ELEVATIONS. SEE A5.30 FOR WINDOW ELEVATIONS.
7. REFER TO INTERIOR ELEVATIONS FOR BATHROOM ACCESSORY MOUNTING HEIGHTS & POSITIONS.
8. REFER TO INTERIOR ELEVATIONS FOR WALL-MOUNTED DEVICE LOCATIONS. ALL OUTLETS CENTERED @ 18" A.F.F., UNO. ALL SWITCHES CENTERED @ 48" A.F.F., UNO.
9. WHERE SWITCHES AND/OR OUTLETS ARE ADJACENT, PLACE IN MULTI-GANG BOX, NOT MULTIPLE SINGLE-GANG BOXES.
10. SEE COMPLETE FLOOR PLANS IN A1 SERIES FOR ROOM TYPE LOCATIONS.



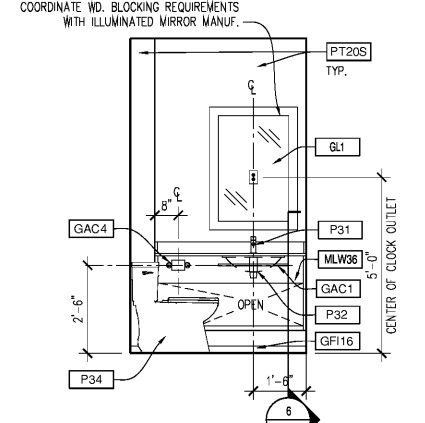
**RULE JOY TRAMMELL RUBIC**  
 ARCHITECTURE INTERIOR DESIGN  
 300 Galleria Parkway Suite 740 Atlanta Georgia 30308  
 770-661-1492 (phone) 770-661-1493 (fax)  
 www.rjtinteriordesign.com

PRINTED

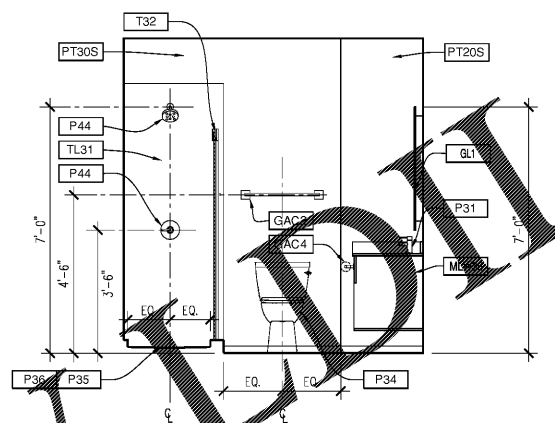
| DATE     | ISSUE/REVISION    |
|----------|-------------------|
| 11/01/18 | Issued for Permit |



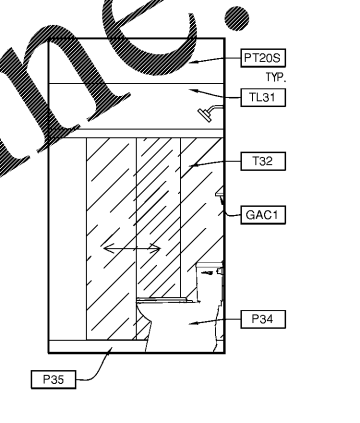
**8 BATHROOM ENTRY ELEVATION**  
 Scale: 1/2"=1'0"



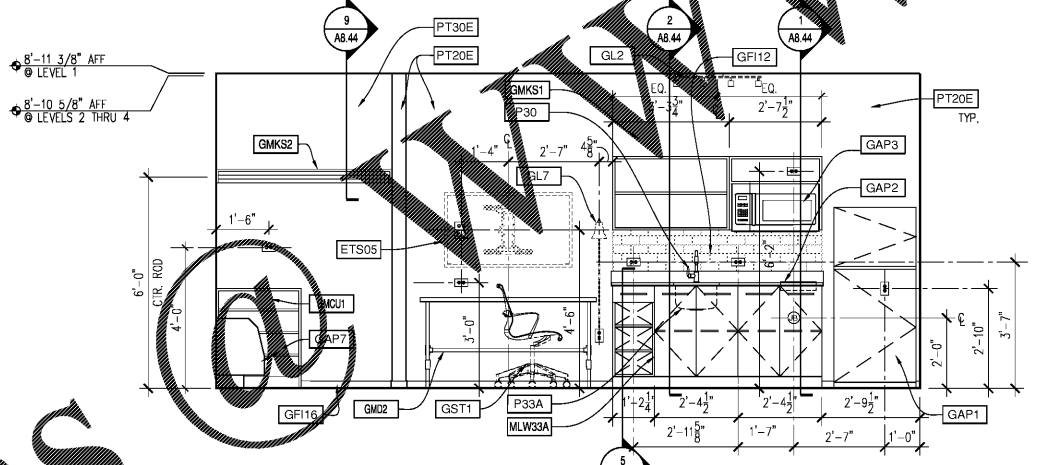
**7 BATHROOM VANITY ELEVATION**  
 Scale: 1/2"=1'0"



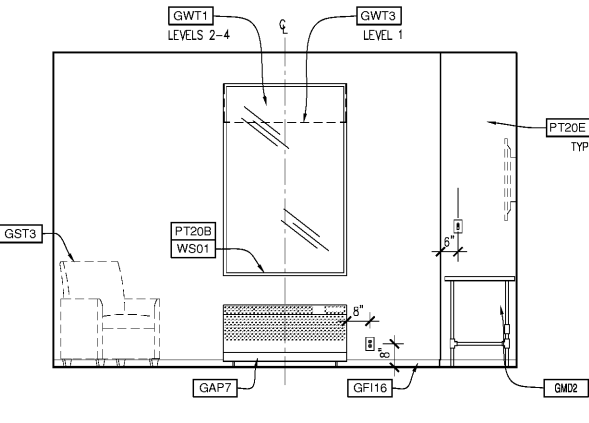
**6 BATHROOM ENTRY ELEVATION**  
 Scale: 1/2"=1'0"



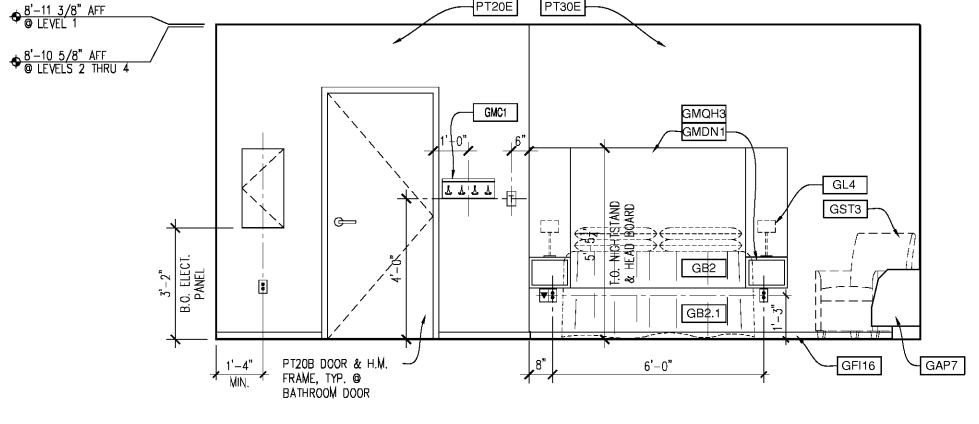
**5 BATHROOM SHOWER ELEVATION**  
 Scale: 1/2"=1'0"



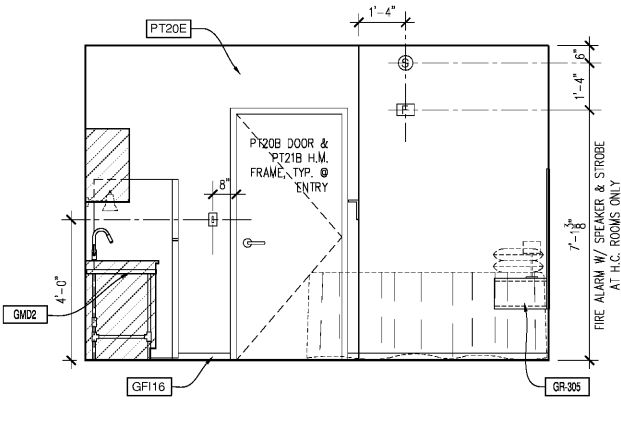
**4 KITCHENETTE WALL ELEVATION**  
 Scale: 1/2"=1'0"



**3 EXTERIOR WALL ELEVATION**  
 Scale: 1/2"=1'0"



**2 BED/BATHROOM ENTRY ELEVATION**  
 Scale: 1/2"=1'0"



**1 ENTRY WALL ELEVATION**  
 Scale: 1/2"=1'0"

Order Plans

ISSUED FOR CONSTRUCTION

STUDIO QUEEN (S-Q) - INTERIOR ELEVATIONS

**EXTENDED STAY AMERICA**

COMMISSION NO: 18-270-6  
 DRAWING NO:

FOOLER, GA