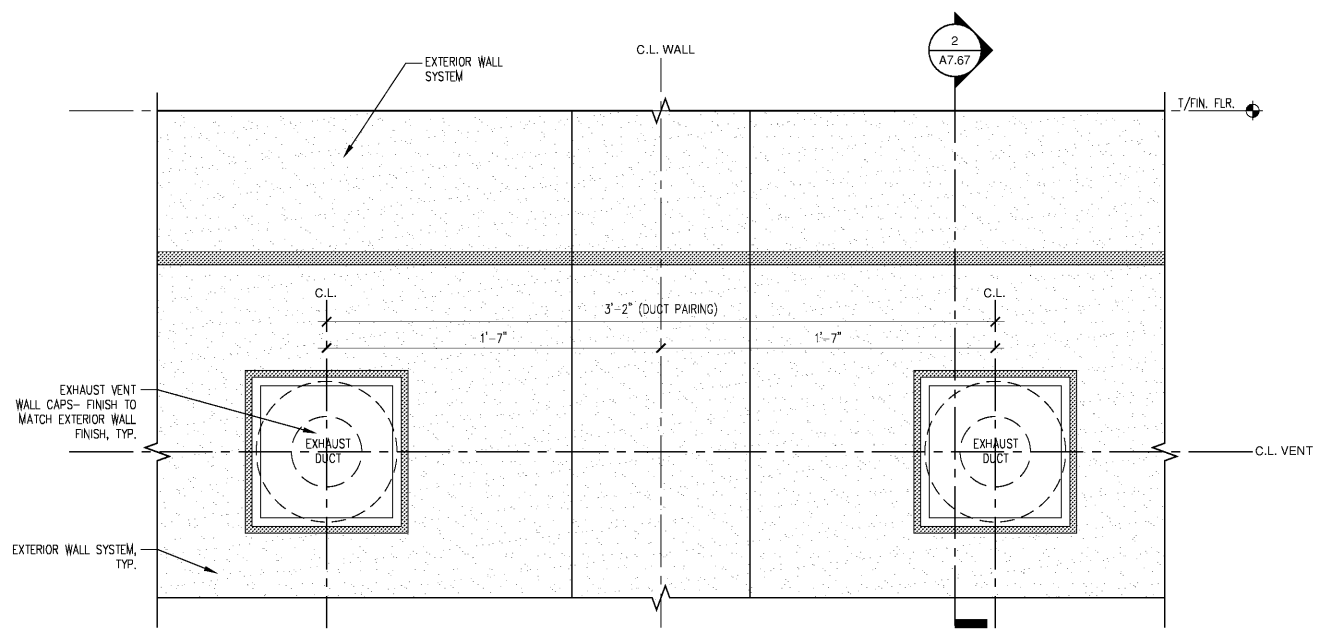
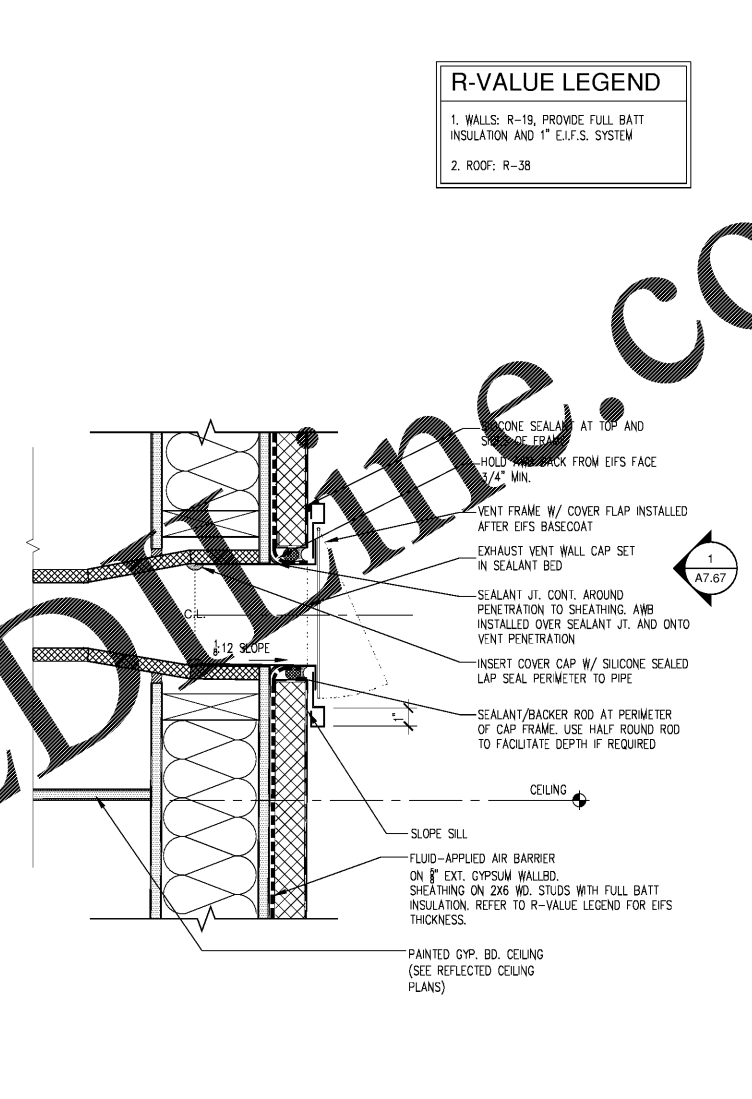
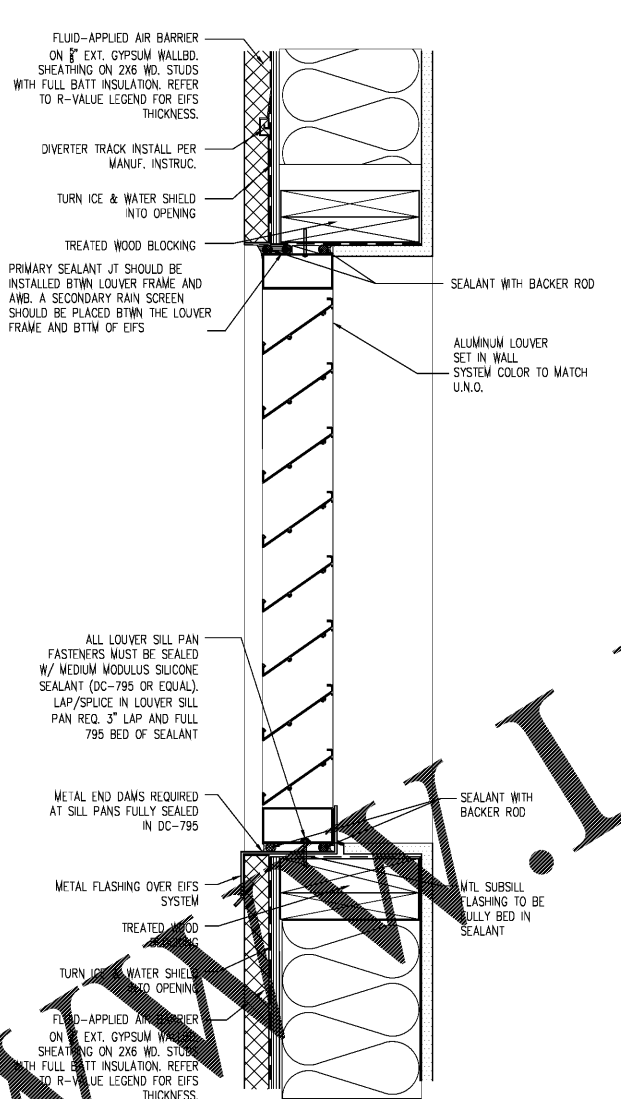


Order Plans @

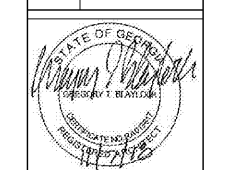
WWW.LDDLINE.COM



R-VALUE LEGEND	
1. WALLS:	R-19, PROVIDE FULL BATT INSULATION AND 1" E.I.F.S. SYSTEM
2. ROOF:	R-38

**RTI**  
 RULE JOY TRAMMELL RUBIC  
 ARCHITECTURE INTERIOR DESIGN  
 300 Gaillard Parkway Suite 740 Atlanta Georgia 30303  
 770-661-1492 (phone) 770-661-1493 (fax)  
 www.rti.com

PRINTED	
DATE	ISSUE/REVISION
11/01/18	Issued for Permit



WATERPROOFING DETAILS  
**EXTENDED STAY AMERICA**  
 POOLER, GA  
 COMMISSION NO: 18-274-6  
 DRAWING NO:  
 A7.67

ISSUED FOR CONSTRUCTION