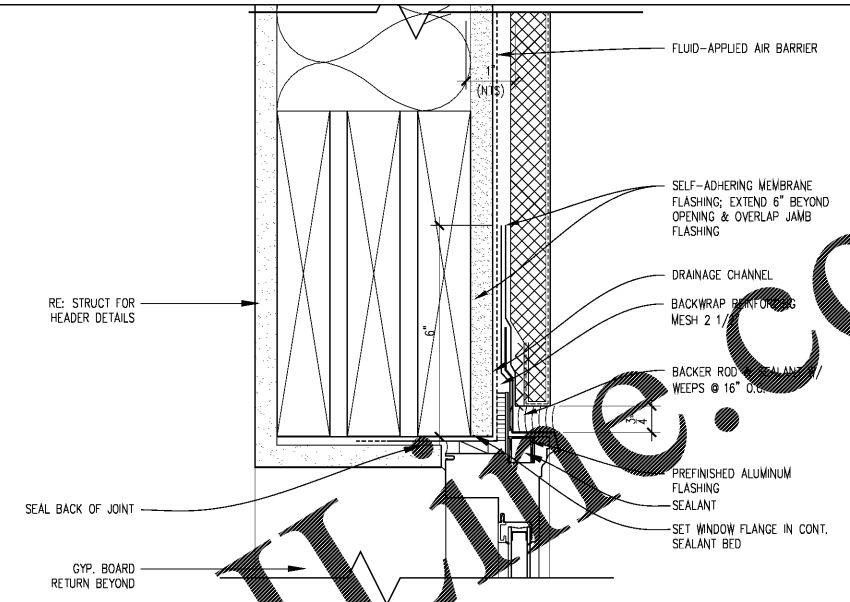
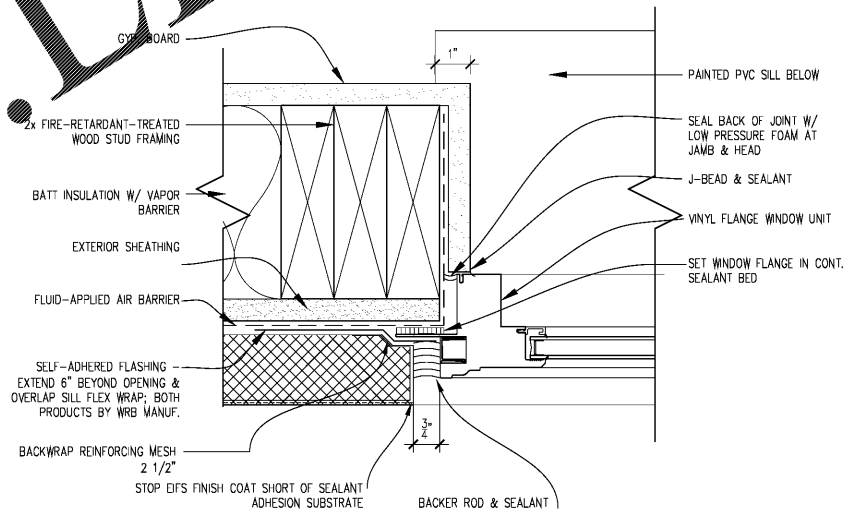


R-VALUE LEGEND

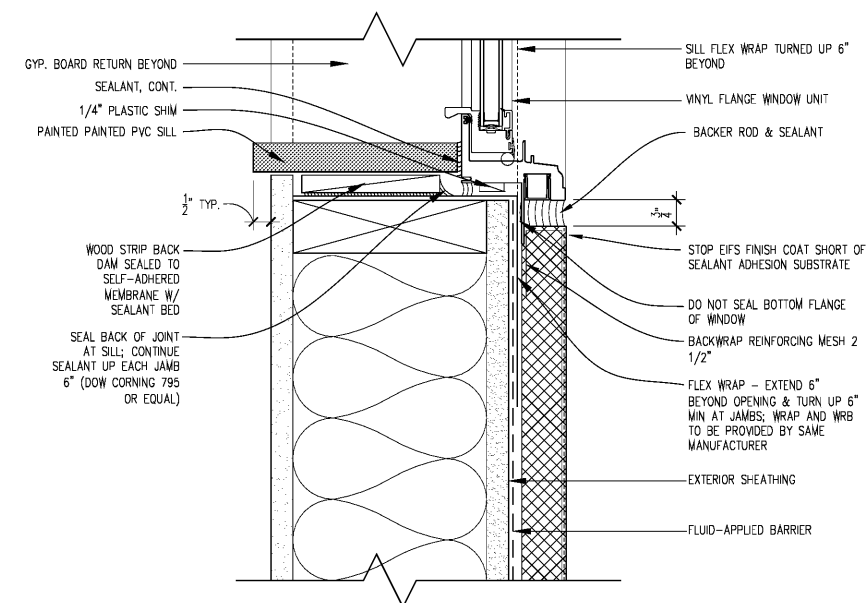
- 1. WALLS: R-19, PROVIDE FULL BATT INSULATION AND 1" E.I.F.S. SYSTEM
- 2. ROOF: R-38



3 HEAD DETAIL - FLANGE WINDOW @ EIFS
Scale: 1/4" = 1'-0"



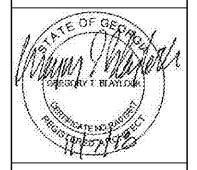
2 JAMB DETAIL - FLANGE WINDOW @ EIFS
Scale: 6" = 1'-0"



1 SILL DETAIL - FLANGE WINDOW @ EIFS
Scale: 6" = 1'-0"

RUBIC
TR
RUBIC ARCHITECTURE INTERIOR DESIGN
300 Galleria Parkway, Suite 740, Atlanta, Georgia 30308
770-661-1492 (phone), 770-661-1493 (fax)
www.rubictad.com

PRINTED	
DATE	ISSUE/REVISION
11/01/18	Issued for Permit



ISSUED FOR CONSTRUCTION
OPENING DETAILS - FLANGE WINDOWS
EXTENDED STAY AMERICA
FOOLER, GA

COMMISSION NO: 18-274-G
DRAWING NO:
A7.61

Order Plans @ www.LDOnline.com