



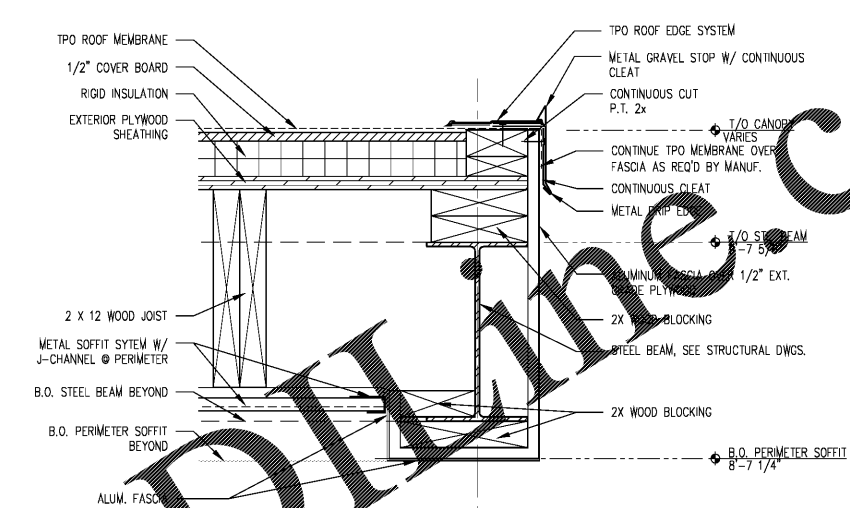
**RULE JOY TRAMMELL RUBICON DESIGN**  
 ARCHITECTURE INTERIOR DESIGN  
 300 California Parkway Suite 740 Atlanta Georgia 30303  
 770-661-1492 (phone) 770-661-1493 (fax)  
 www.rjtdesign.com

DATE	ISSUE/REVISION
11/01/18	Issued for Permit

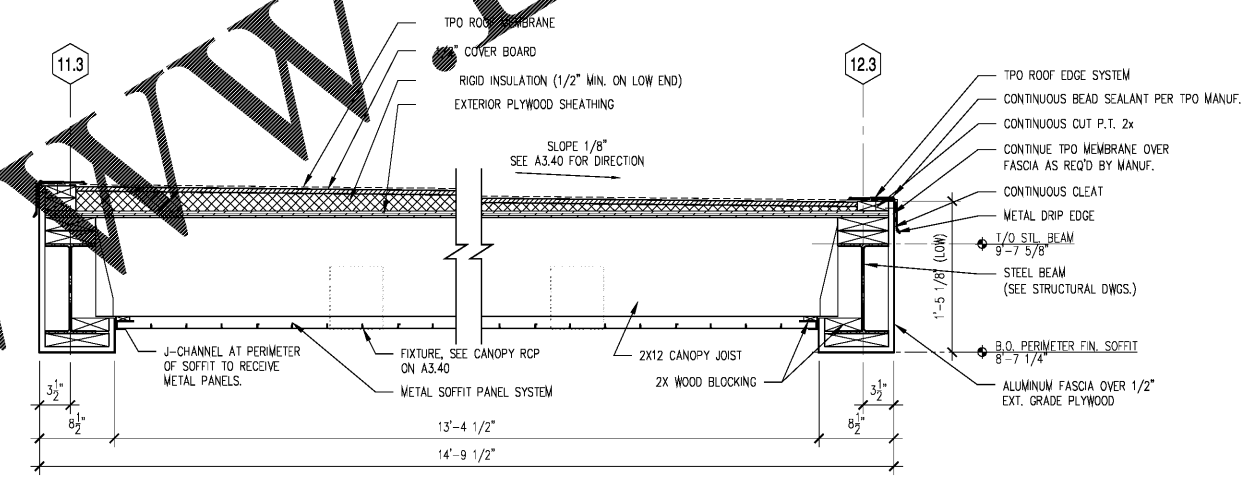


**CANOPY DETAILS**  
**EXTENDED STAY AMERICA**  
 COMMISSION NO: 18-214-6  
 DRAWING NO:

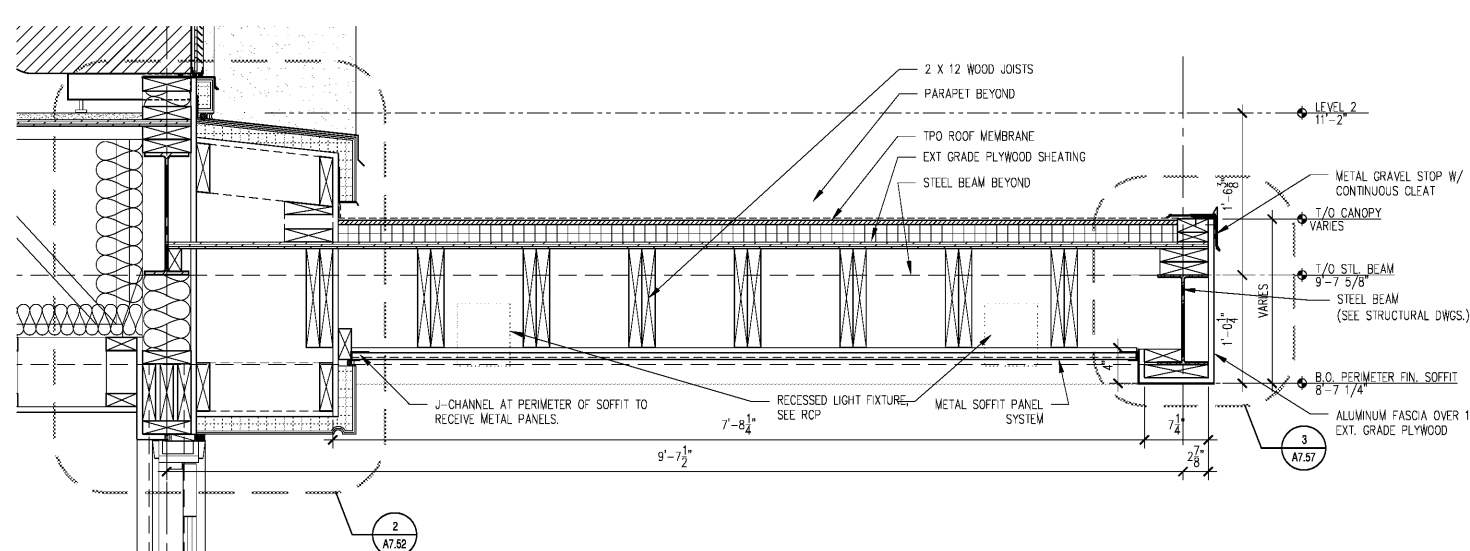
**A7.57**



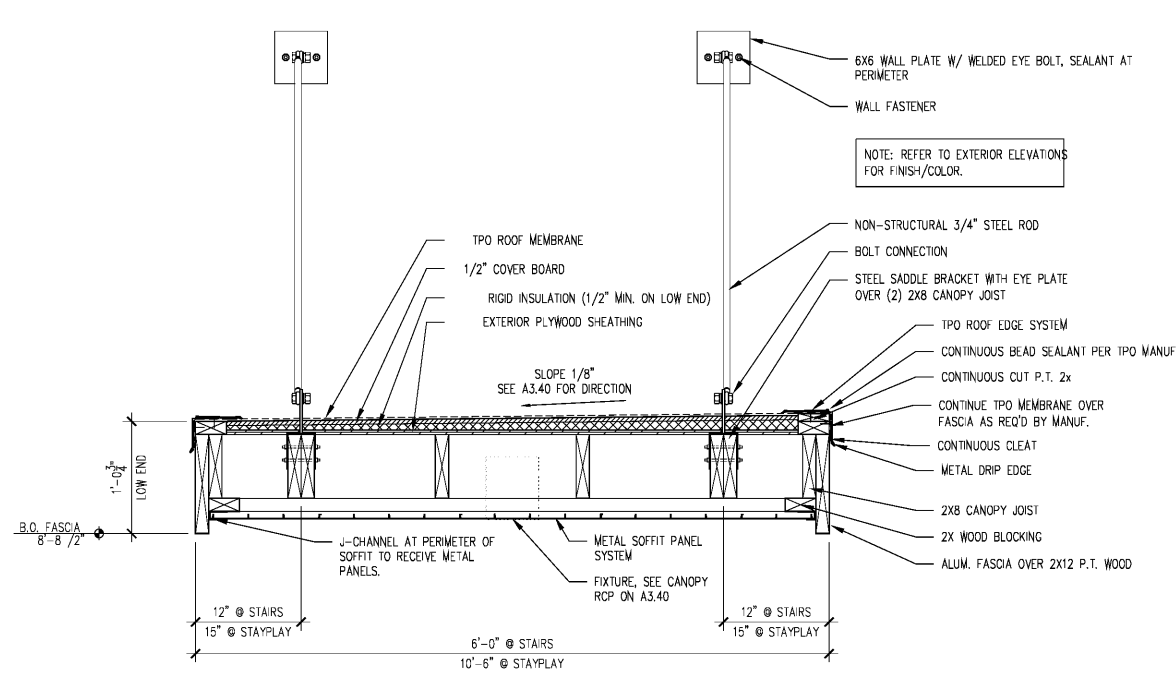
**3 CANOPY DETAIL**  
 Scale: 1 1/2" = 1'-0"



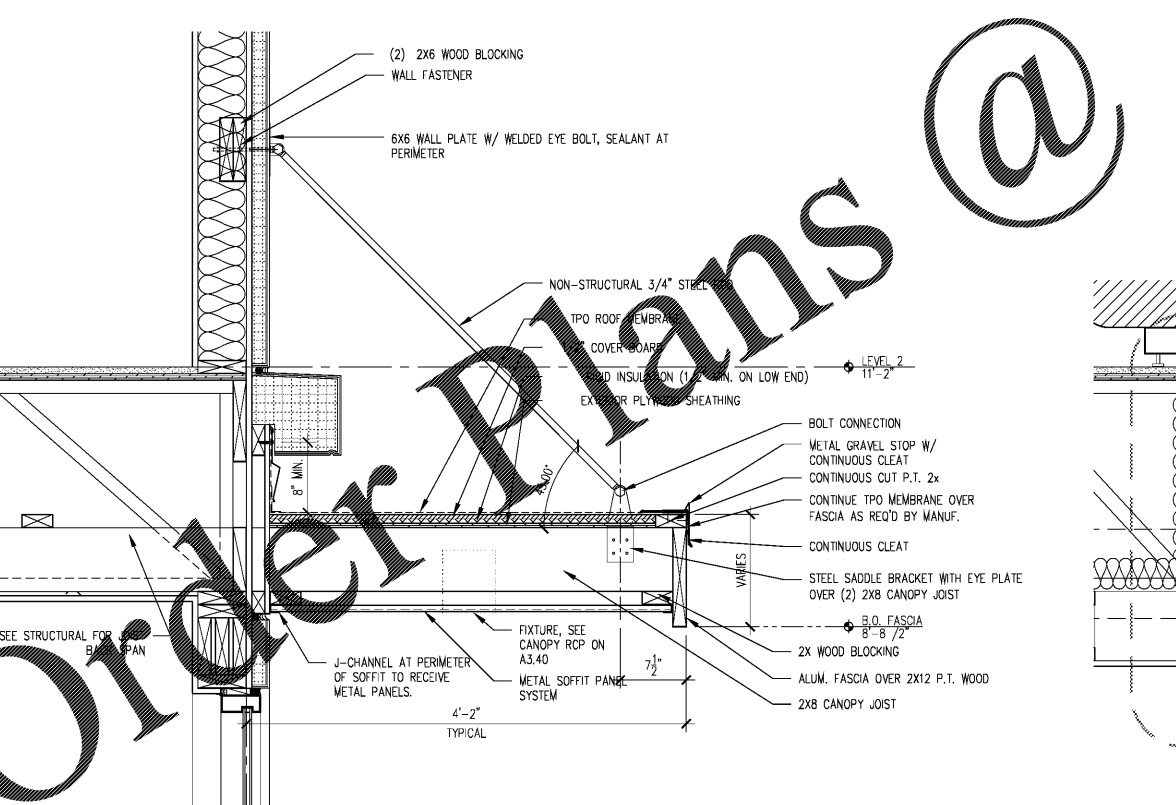
**2 CANOPY DETAIL @ FRONT ENTRY**  
 Scale: 1 1/2" = 1'-0"



**1 CANOPY DETAIL @ FRONT ENTRY**  
 Scale: 1 1/2" = 1'-0"



**5 CANOPY DETAIL @ STAIRS & STAYPLAY**  
 Scale: 1 1/2" = 1'-0"



**4 CANOPY DETAIL @ STAIRS & STAYPLAY**  
 Scale: 1 1/2" = 1'-0"

**Order Plans @**

**@**