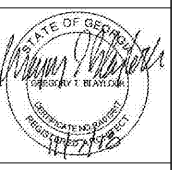




RULE JOY TRAMMELL RUBIC
 ARCHITECTURE INTERIOR DESIGN
 3000 Gullwater Parkway Suite 740 Atlanta Georgia 30338
 770-661-1492 (phone) 770-661-1493 (fax)
 www.rjtad.com

PRINTED	
DATE	ISSUE/REVISION
11/01/18	Issued for Permit



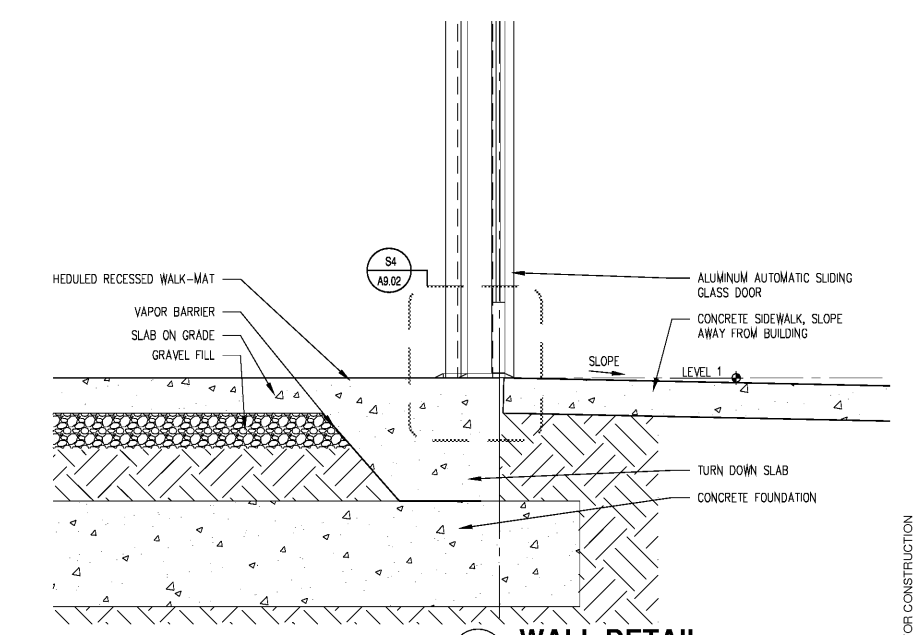
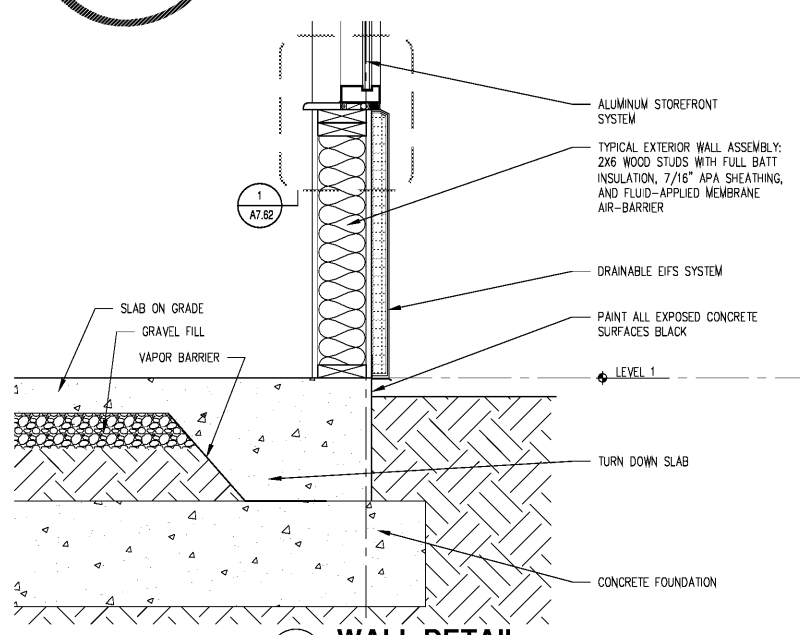
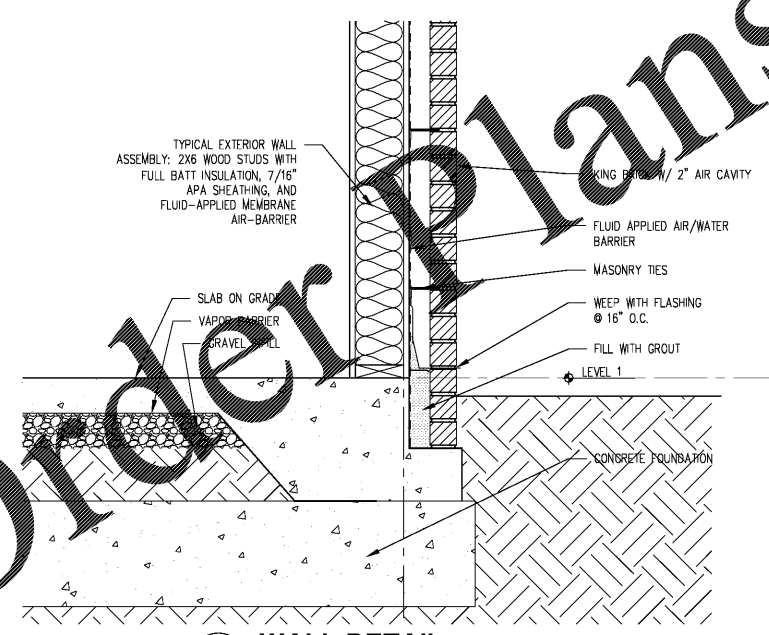
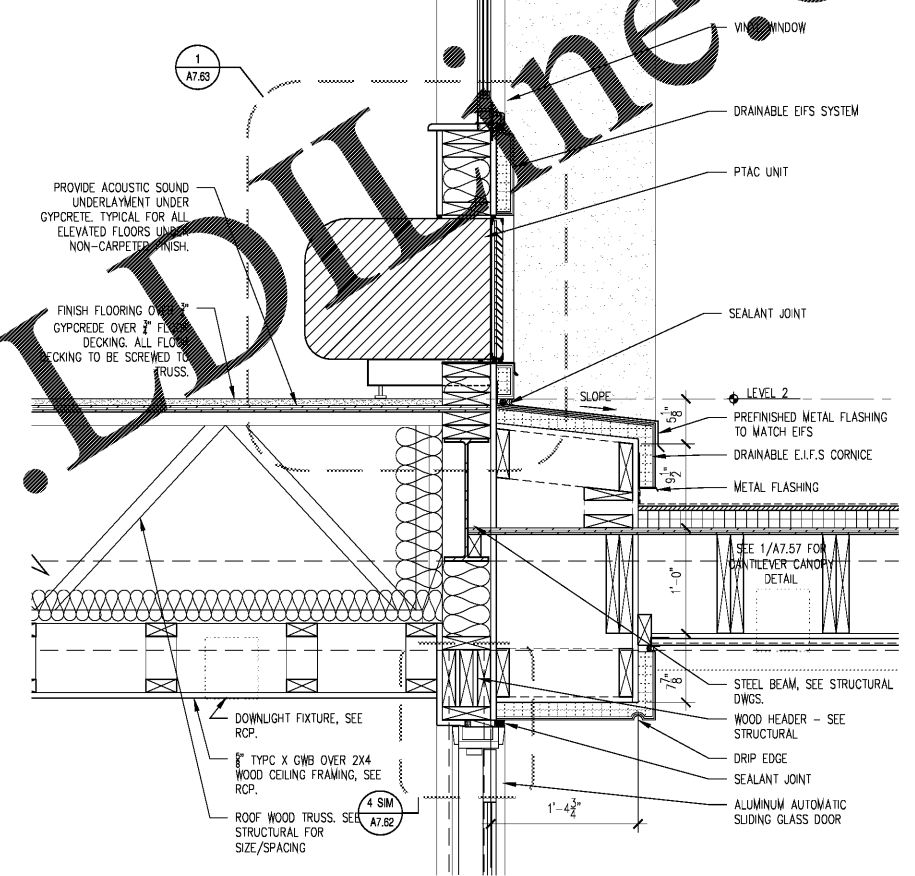
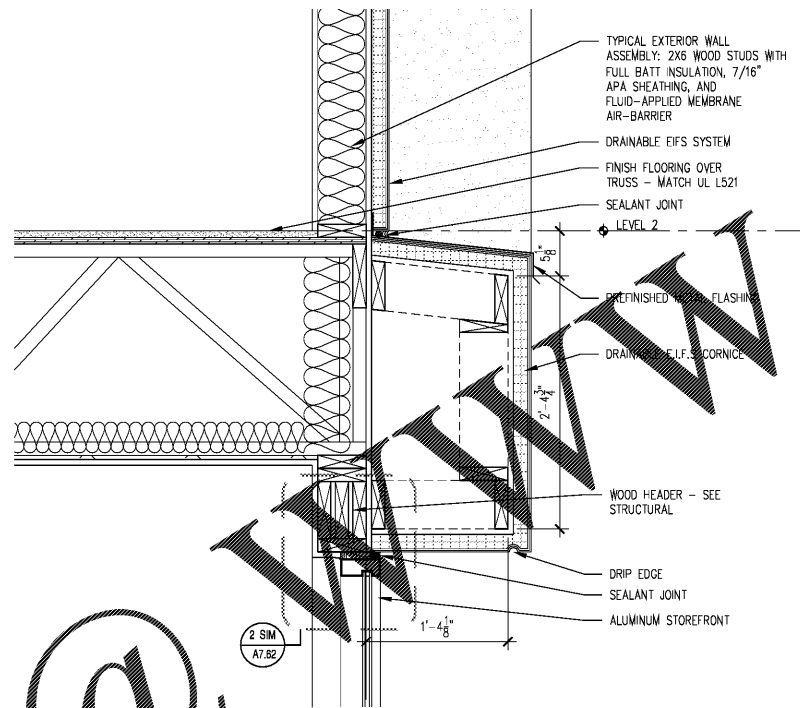
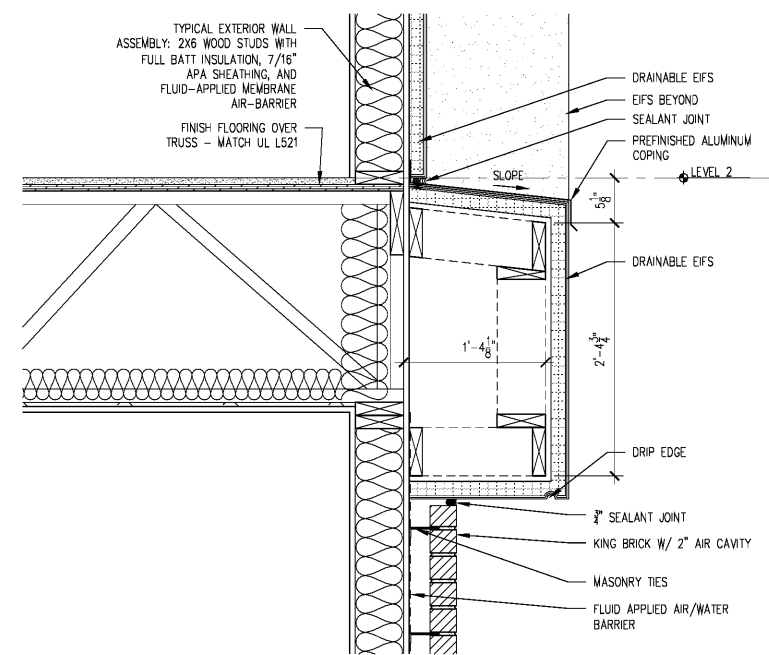
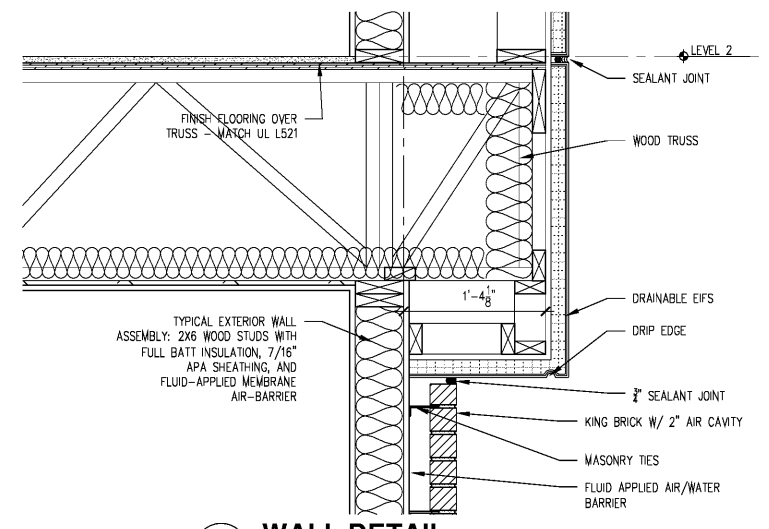
ISSUED FOR CONSTRUCTION

WALL DETAILS

EXTENDED STAY AMERICA

COMMISSION NO: 18-274-6
 DRAWING NO:

FOOLER, GA



Order Plans @