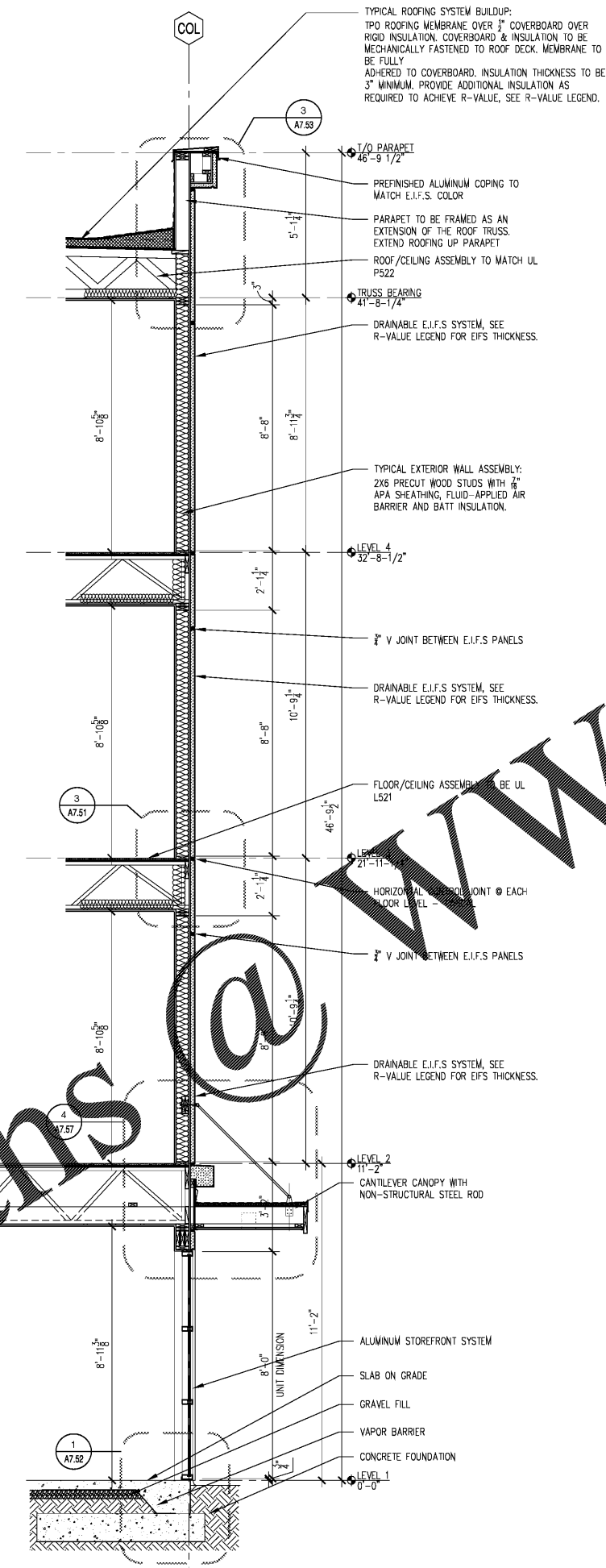
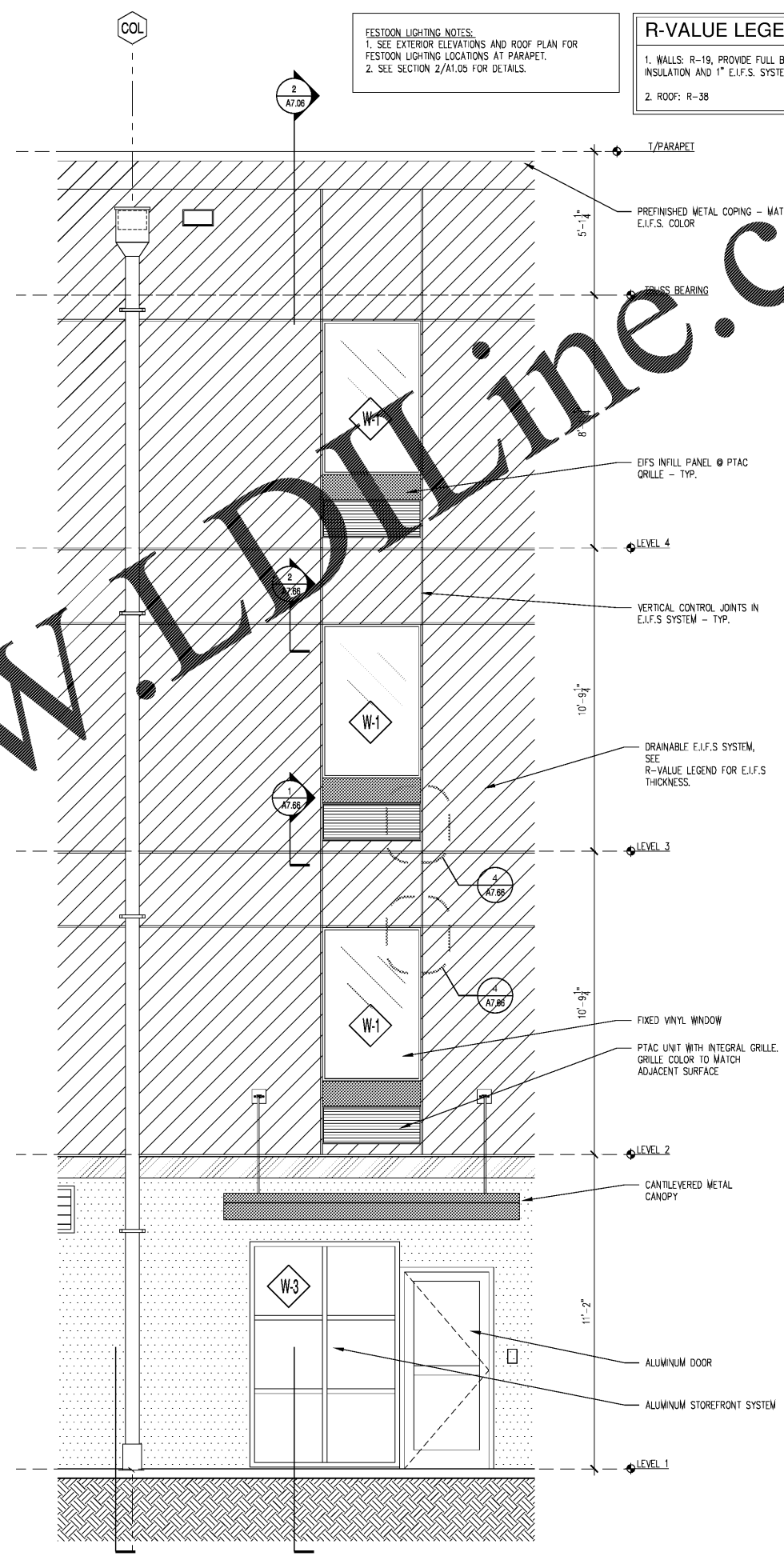


Order Plans @



2 WALL SECTION
Scale: 1/2"=1'-0"

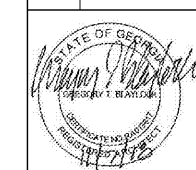


1 PARTIAL ELEVATION
Scale: 1/2"=1'-0"

RULE JOY TRAMMELL RUBIO ARCHITECTURE INTERIOR DESIGN
300 California Parkway Suite 740 Atlanta Georgia 30303
770-661-1492 (phone) 770-661-1493 (fax)
www.rjtinteriordesign.com

PRINTED

DATE	ISSUE/REVISION
11/01/18	Issued for Permit



ISSUED FOR CONSTRUCTION

WALL SECTION/ELEVATION

EXTENDED STAY AMERICA

COMMISSION NO: 18-270-G
DRAWING NO:

A7.06

FOOLER, GA