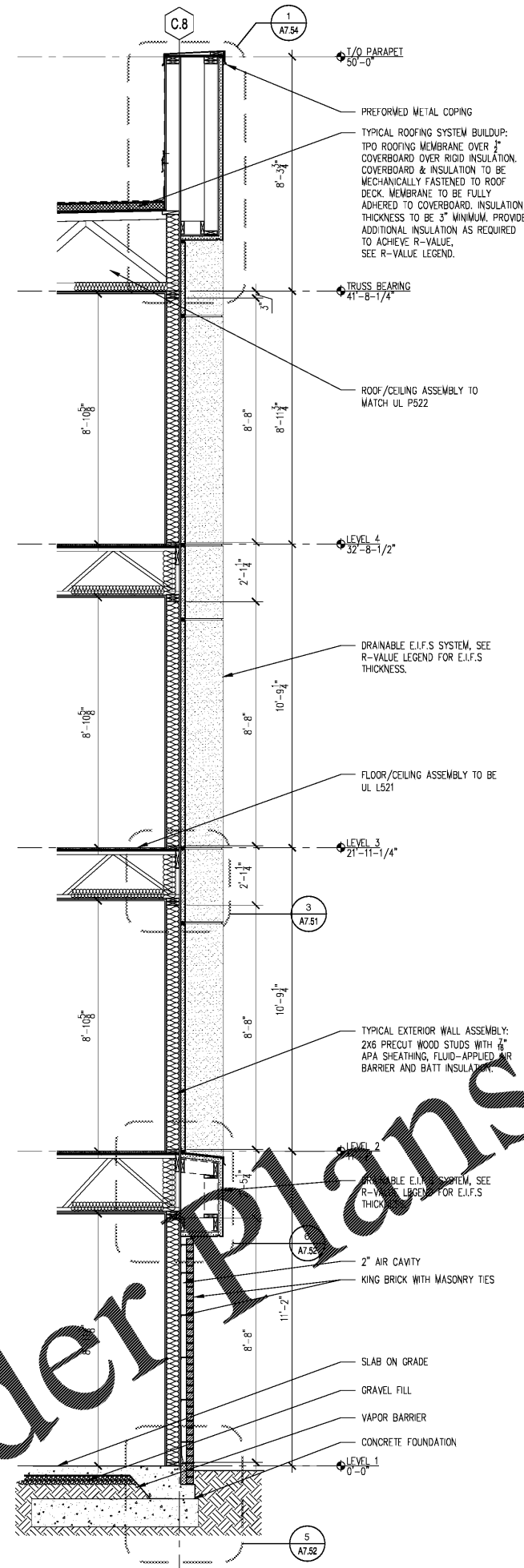
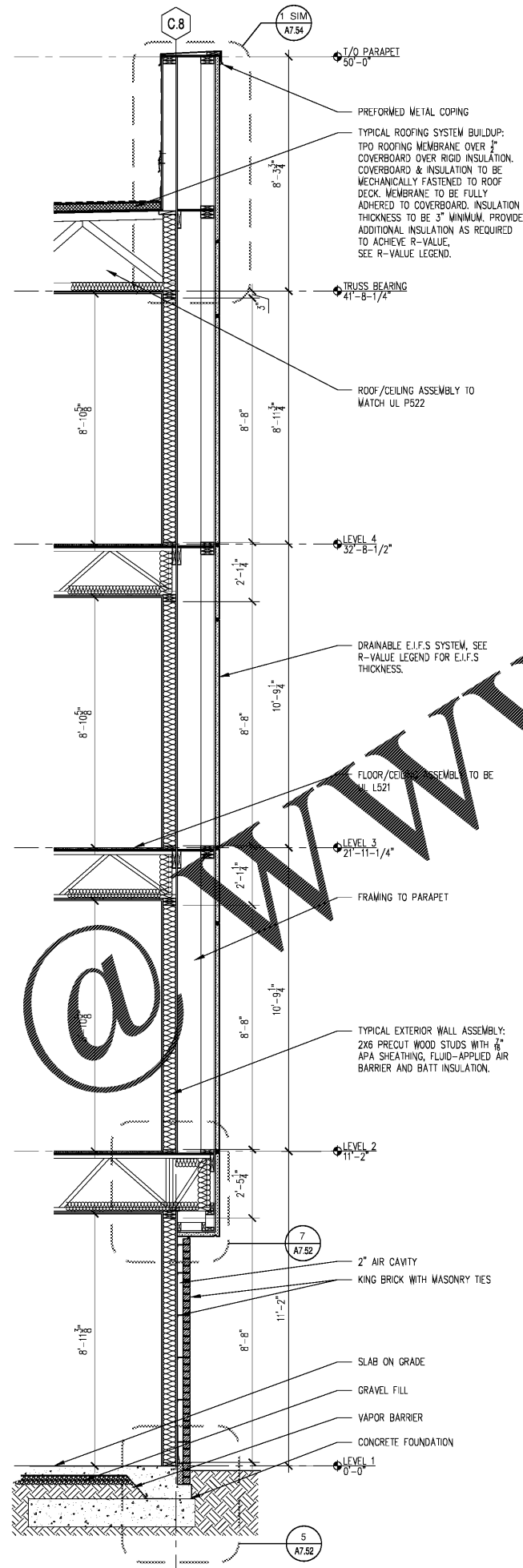


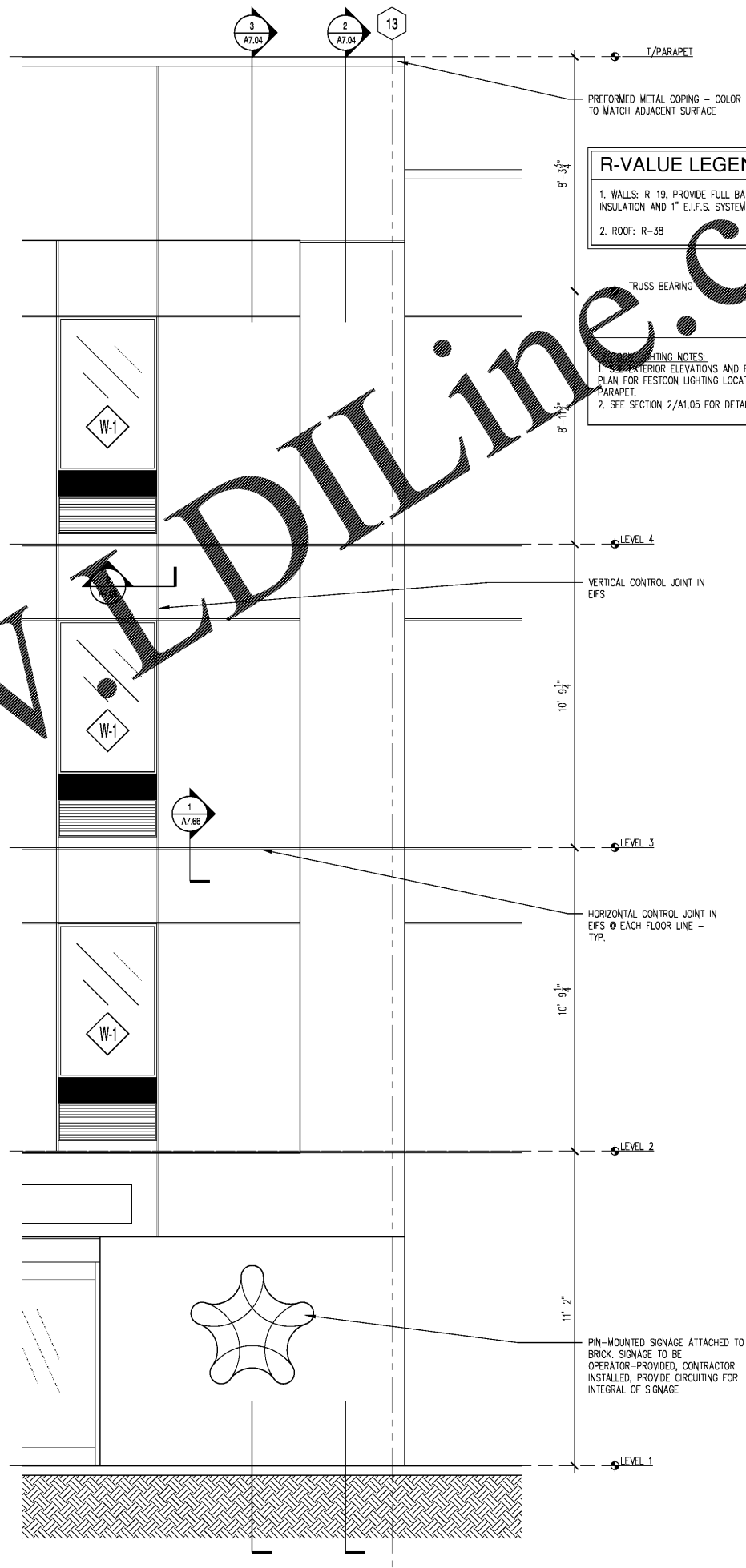
Order Plans



2 WALL SECTION
Scale: 1/2"=1'-0"



1 PARTIAL ELEVATION
Scale: 1/2"=1'-0"



R-VALUE LEGEND

- 1. WALLS: R-19, PROVIDE FULL BATT INSULATION AND 1" E.I.F.S. SYSTEM
- 2. ROOF: R-38

DETAILING NOTES:

- 1. SUPERIOR ELEVATIONS AND ROOF PLAN FOR FESTOON LIGHTING LOCATIONS AT PARAPET.
- 2. SEE SECTION 2/A1.05 FOR DETAILS.

RTI
RULE JOY TRAMMELL RUBICORP
 ARCHITECTURE INTERIOR DESIGN
 300 California Parkway Suite 740 Atlanta Georgia 30303
 770-661-1492 (phone) 770-661-1493 (fax)
 www.rtiinterior.com

PRINTED

DATE	ISSUE/REVISION
11/01/18	Issued for Permit



WALL SECTION/ELEVATION
EXTENDED STAY AMERICA
 COMMISSION NO: 18-270-6
 DRAWING NO:
 POOLER, GA

ISSUED FOR CONSTRUCTION
A7.04