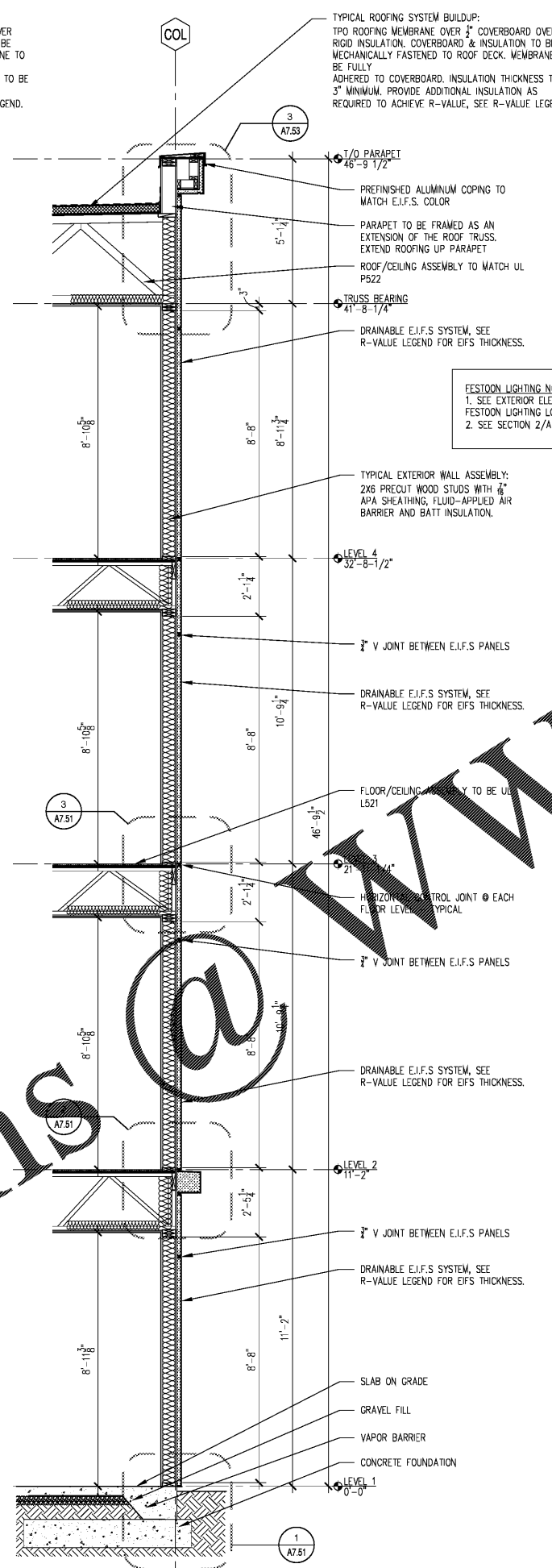
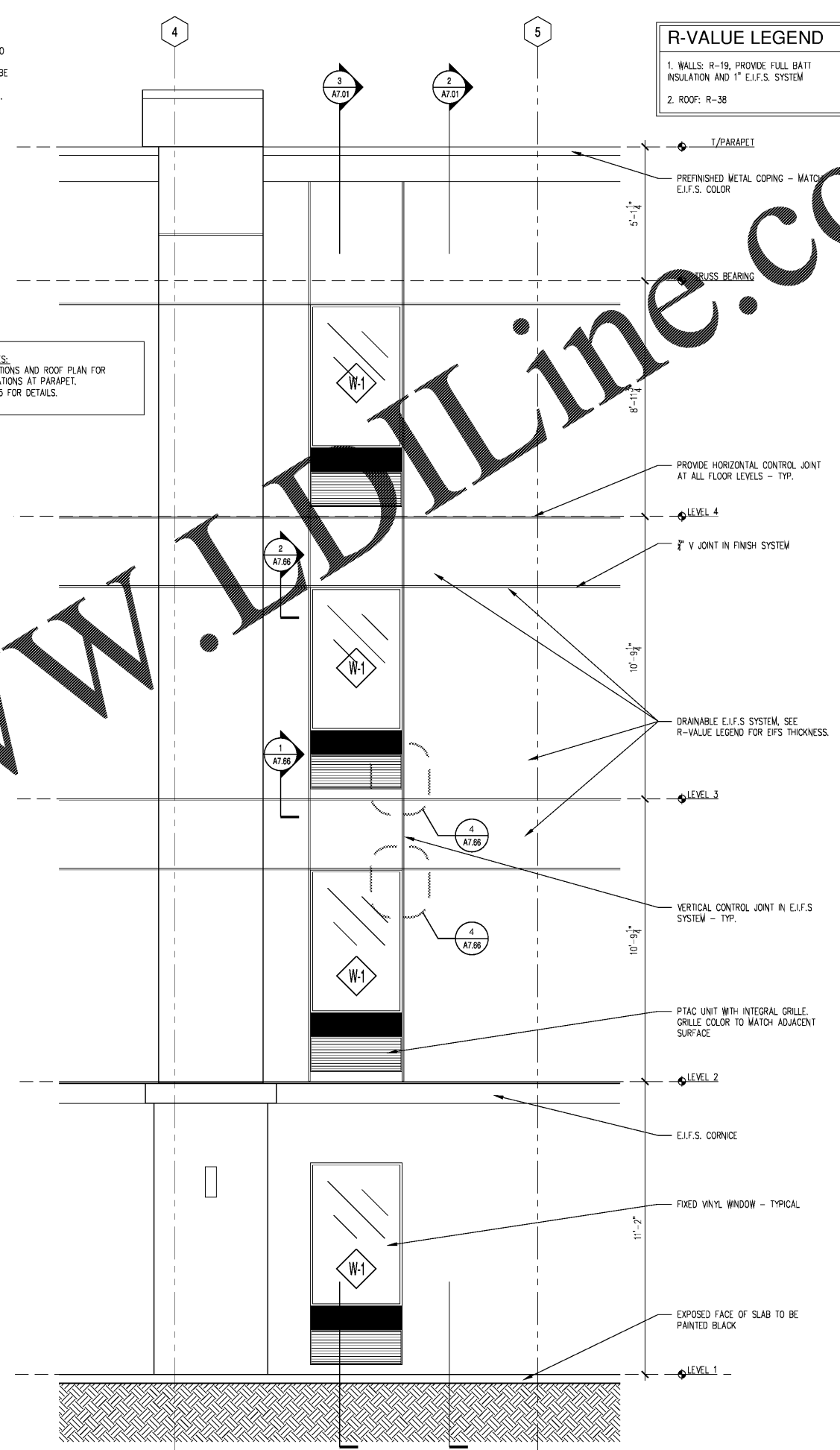


3 WALL SECTION
Scale: 1/2"=1'-0"



2 WALL SECTION
Scale: 1/2"=1'-0"



1 PARTIAL ELEVATION
Scale: 1/2"=1'-0"

TYPICAL ROOFING SYSTEM BUILDUP:
TPO ROOFING MEMBRANE OVER 1/2" COVERBOARD OVER RIGID INSULATION. COVERBOARD & INSULATION TO BE MECHANICALLY FASTENED TO ROOF DECK. MEMBRANE TO BE FULLY ADHERED TO COVERBOARD. INSULATION THICKNESS TO BE 3" MINIMUM. PROVIDE ADDITIONAL INSULATION AS REQUIRED TO ACHIEVE R-VALUE, SEE R-VALUE LEGEND.

TYPICAL ROOFING SYSTEM BUILDUP:
TPO ROOFING MEMBRANE OVER 1/2" COVERBOARD OVER RIGID INSULATION. COVERBOARD & INSULATION TO BE MECHANICALLY FASTENED TO ROOF DECK. MEMBRANE TO BE FULLY ADHERED TO COVERBOARD. INSULATION THICKNESS TO BE 3" MINIMUM. PROVIDE ADDITIONAL INSULATION AS REQUIRED TO ACHIEVE R-VALUE, SEE R-VALUE LEGEND.

R-VALUE LEGEND

1. WALLS: R-19, PROVIDE FULL BATT INSULATION AND 1" E.I.F.S. SYSTEM
2. ROOF: R-38

FESTOON LIGHTING NOTES:
1. SEE EXTERIOR ELEVATIONS AND ROOF PLAN FOR FESTOON LIGHTING LOCATIONS AT PARAPET.
2. SEE SECTION 2/A1.05 FOR DETAILS.

RTI
RULE JOY TRAMMELL RUBIO ARCHITECTURE INTERIOR DESIGN
300 California Parkway Suite 740 Atlanta Georgia 30303
770-661-1492 (phone) 770-661-1493 (fax)
www.rtrdesign.com

PRINTED

DATE	ISSUE/REVISION
11/01/18	Issued for Permit



ISSUED FOR CONSTRUCTION

WALL SECTION/ELEVATION

EXTENDED STAY AMERICA

FOOLER, GA

COMMISSION NO: 18-270-6
DRAWING NO: **A7.01**