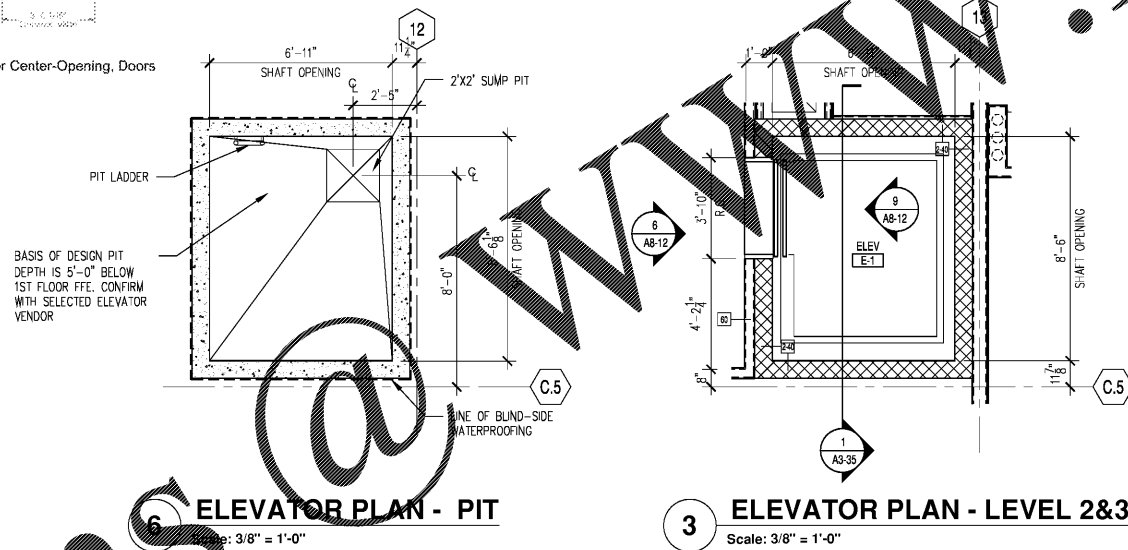
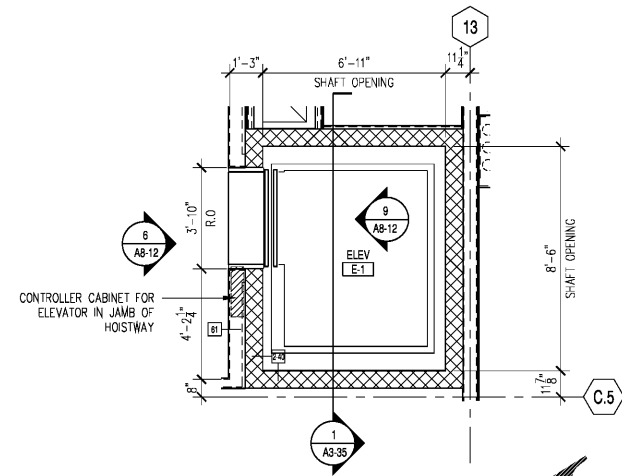


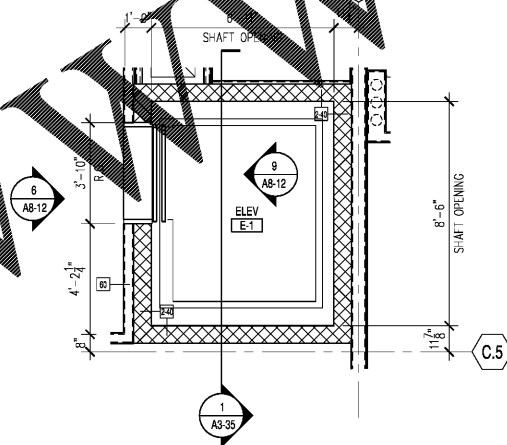
Figure 6: Plan View Showing Stretcher Fit in the 3500 Duty Cabs w/ Front Only, Side- or Center-Opening Doors in Finished and Standard Factory Interiors



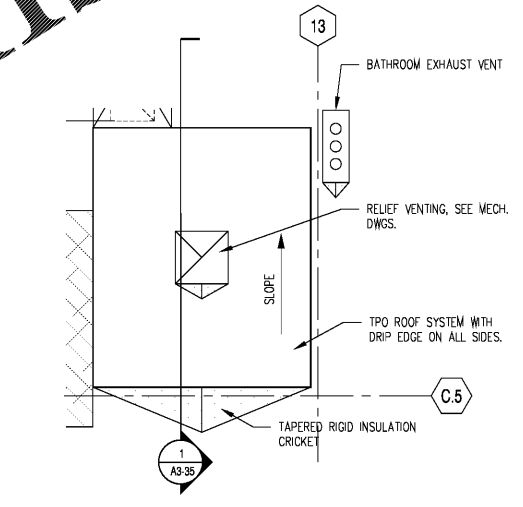
6 ELEVATOR PLAN - PIT
Scale: 3/8" = 1'-0"



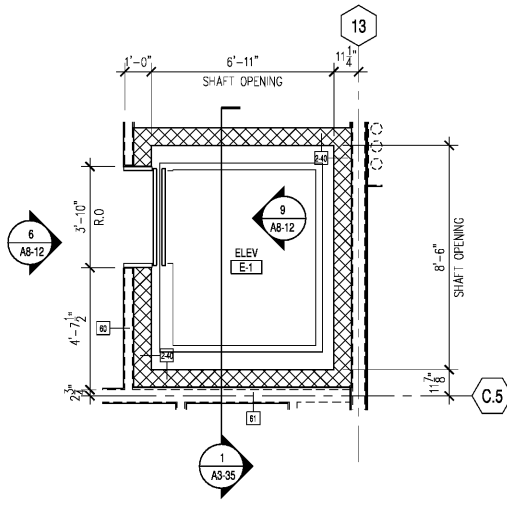
4 ELEVATOR PLAN - LEVEL 4
Scale: 3/8" = 1'-0"



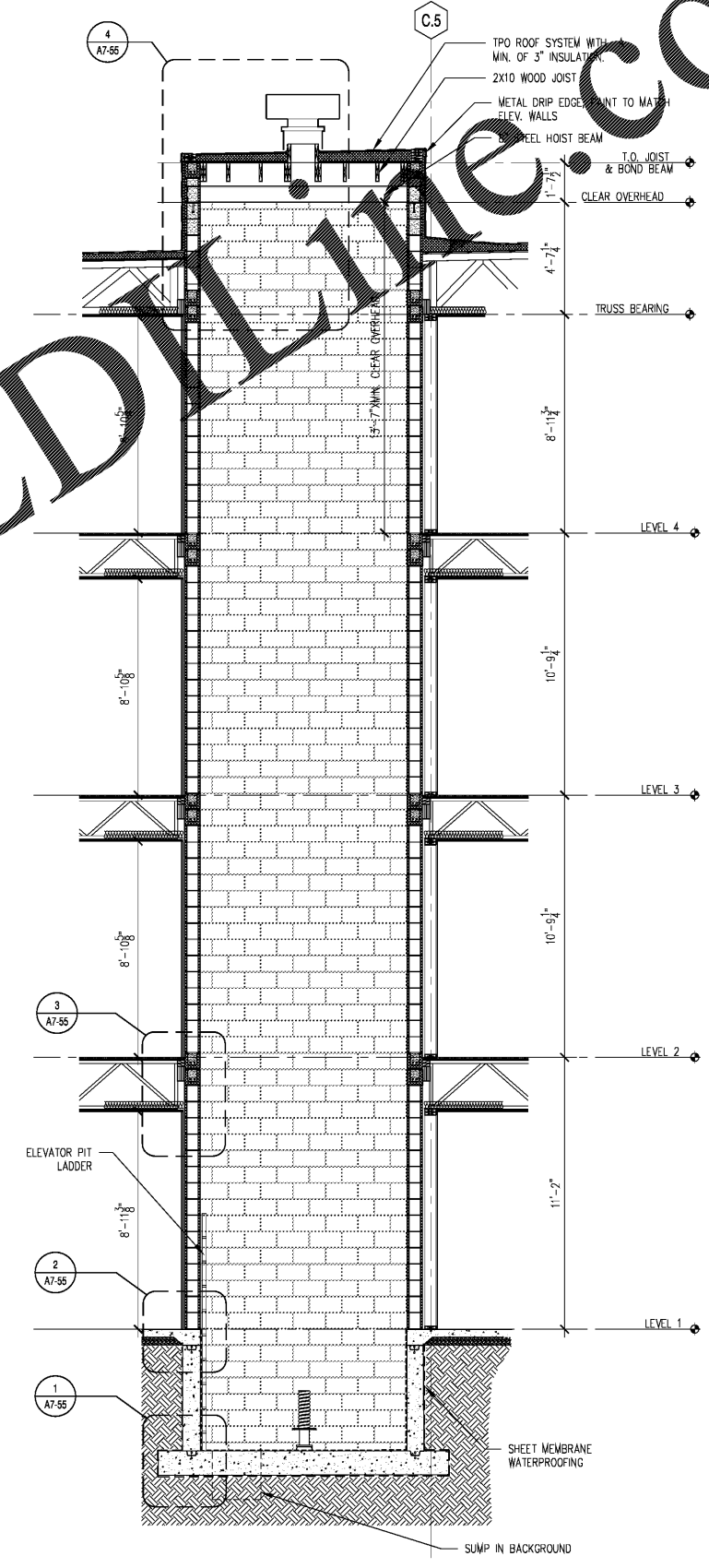
3 ELEVATOR PLAN - LEVEL 2&3
Scale: 3/8" = 1'-0"



5 ELEVATOR PLAN - ROOF
Scale: 3/8" = 1'-0"



2 ELEVATOR PLAN - LEVEL 1
Scale: 3/8" = 1'-0"

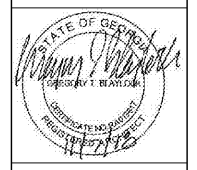


1 ELEVATOR SECTION
Scale: 3/8" = 1'-0"

RTI
RULE JOY TRAMMELL RUBICORR
 ARCHITECTURE INTERIOR DESIGN
 300 California Parkway Suite 740 Atlanta Georgia 30303
 770-661-1492 (phone) 770-661-1493 (fax)
 www.rtiidesign.com

PRINTED

DATE	ISSUE/REVISION
11/01/18	Issued for Permit



ELEVATOR PLANS AND SECTIONS
EXTENDED STAY AMERICA
 COMMISSION NO: 18-270-6
 DRAWING NO:

A3.35

Order Plans @ WWW.LDVLIVE.COM