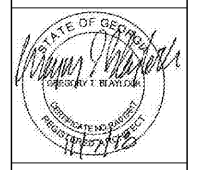




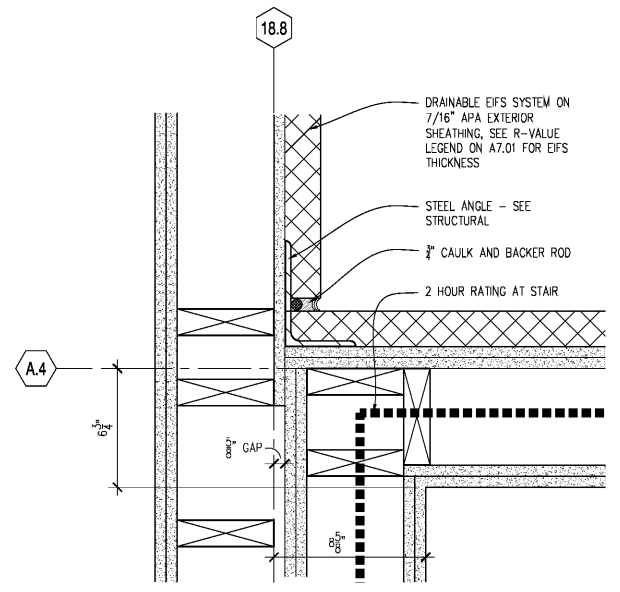
**RULE JOY TRAMMELL RUBIC**  
 ARCHITECTURE INTERIOR DESIGN  
 300 Galleria Parkway Suite 740 Atlanta Georgia 30303  
 770-661-1492 (phone) 770-661-1493 (fax)  
 www.rjttrubidesign.com

PRINTED	
DATE	ISSUE/REVISION
11/01/18	Issued for Permit

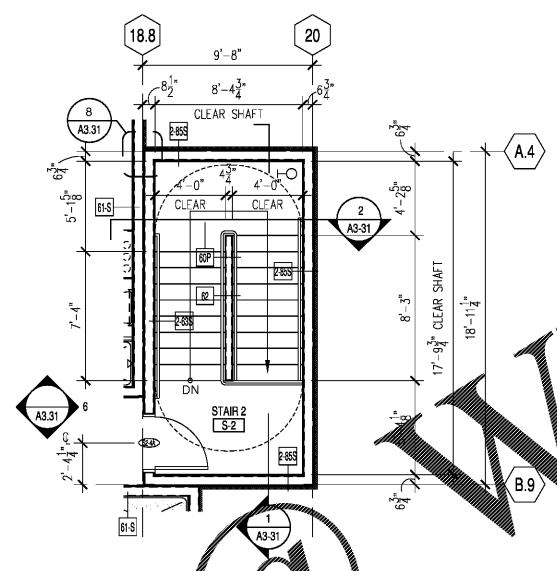


STAIR PLANS AND SECTIONS  
**EXTENDED STAY AMERICA**  
 COMMISSION NO: 18-270-6  
 DRAWING NO:  
 A3.31

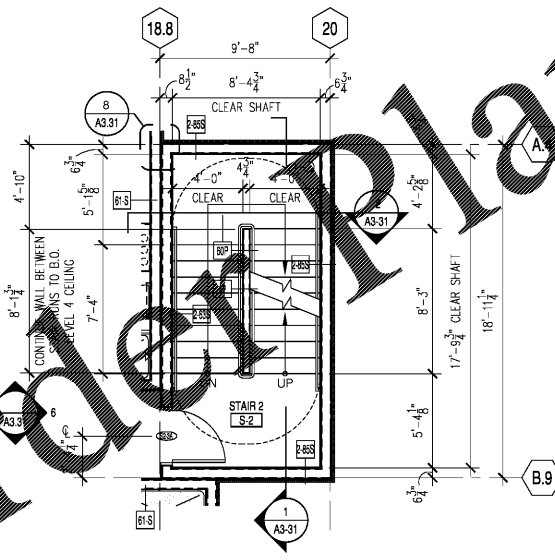
ISSUED FOR CONSTRUCTION  
 POOLER, GA



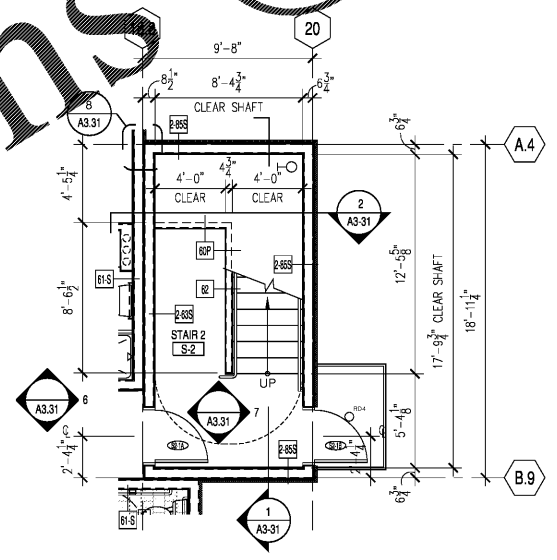
**8 PLAN DETAIL**  
 Scale: 3" = 1'-0"



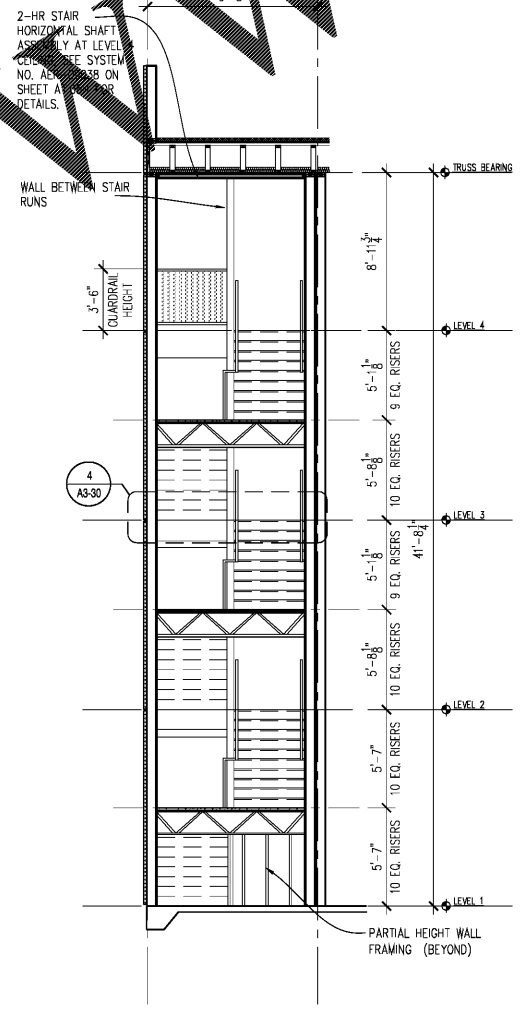
**5 STAIR #2 PLAN - LEVEL 4**  
 Scale: 1/4" = 1'-0"



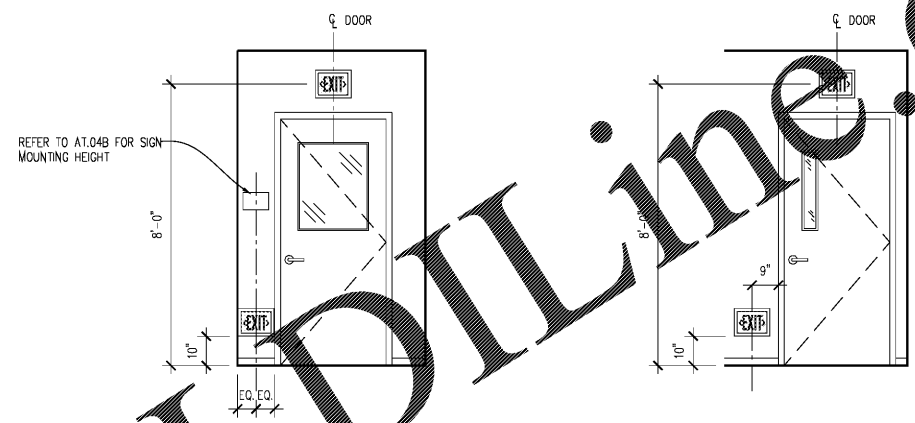
**4 STAIR #2 PLAN - LEVEL 2 & 3**  
 Scale: 1/4" = 1'-0"



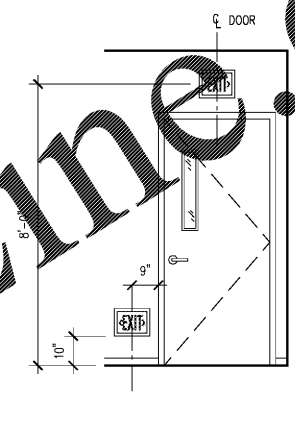
**3 STAIR #2 PLAN - LEVEL 1**  
 Scale: 1/4" = 1'-0"



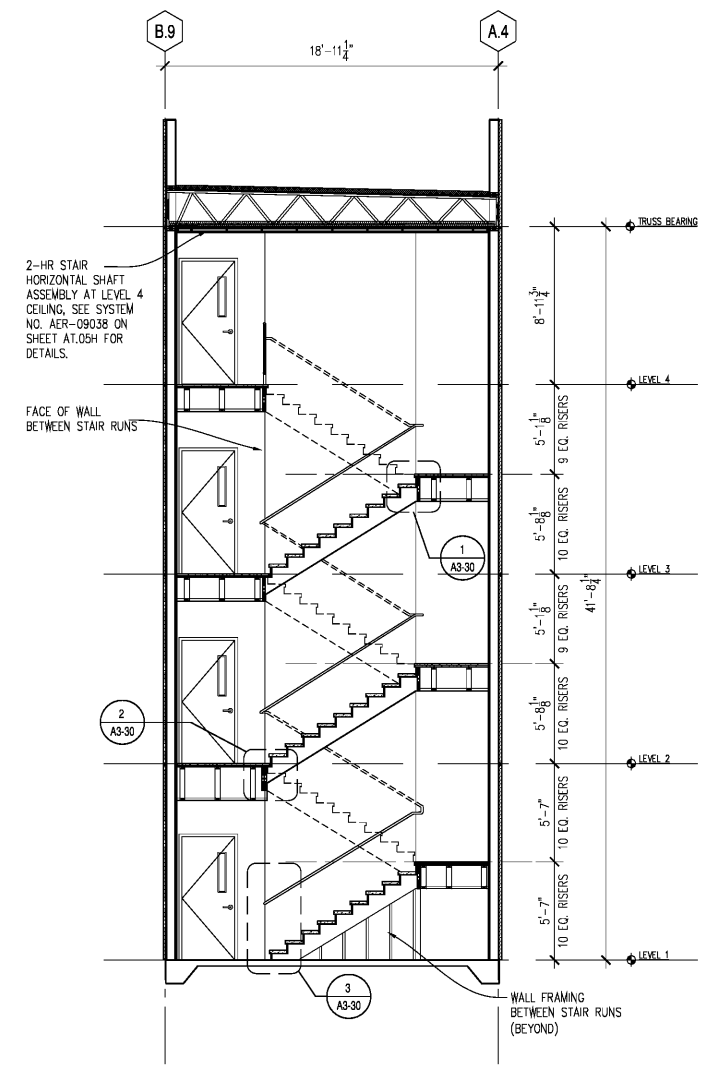
**2 STAIR #2 SECTION**  
 Scale: 1/4" = 1'-0"



**7 STAIR DOOR ELEVATION**  
 EXTERIOR DOOR  
 Scale: 1/2" = 1'-0"



**6 STAIR DOOR ELEVATION**  
 CORRIDOR DOOR  
 Scale: 1/2" = 1'-0"



**1 STAIR #2 SECTION**  
 Scale: 1/4" = 1'-0"

Order Plans @ [www.IDLine.com](http://www.IDLine.com)