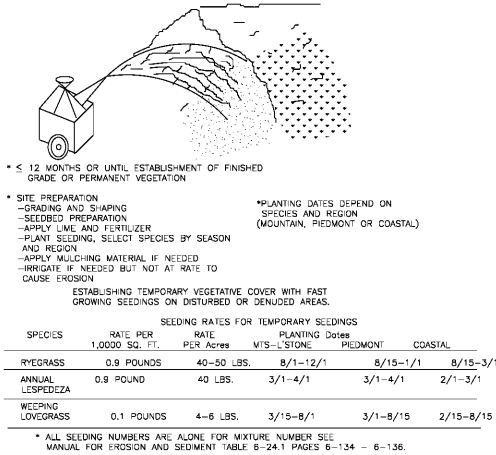


Ds2 DISTURBED AREA STABILIZATION (WITH TEMPORARY SEEDING)



* < 12 MONTHS OR UNTIL ESTABLISHMENT OF FINISHED GRADE OR PERMANENT VEGETATION

* SITE PREPARATION
- GRADING AND SHAPING
- SEEDING PREPARATION
- APPLY LIME AND FERTILIZER
- PLANT SEEDING, SELECT SPECIES BY SEASON AND REGION
- APPLY MULCHING MATERIAL IF NEEDED
- IRRIGATE IF NEEDED BUT NOT AT RATE TO CAUSE EROSION

* ESTABLISHING TEMPORARY VEGETATIVE COVER WITH FAST GROWING SEEDS ON DISTURBED OR DENUDATED AREAS

SPECIES	RATE PER 1,000 SQ. FT.	RATE PER ACRE	PLANTING DATES	PIEDMONT	COASTAL
RYEGRASS	0.9 POUNDS	40-50 LBS.	8/1-12/1	8/15-1/1	8/15-3/1
ANNUAL LESPEDEZA	0.9 POUND	40 LBS.	3/1-4/1	3/1-4/1	2/1-3/1
WEEPING LOVEGRASS	0.1 POUNDS	4-6 LBS.	3/15-8/1	3/1-8/15	2/15-8/15

* ALL SEEDING NUMBERS ARE ALONE FOR MIXTURE NUMBER SEE MANUAL FOR EROSION AND SEDIMENT TABLE 6-24.1 PAGES 6-134 - 6-136.

† UNUSUAL SITE CONDITIONS MAY REQUIRE HEAVY SEEDING RATES.
‡ SEEDING DATES MAY NEED TO BE ALTERED TO FIT TEMPERATURE VARIATIONS AND LOCAL CONDITIONS.

* APPLICABLE ON HIGHLY ERODIBLE OR SEVERELY ERODED AREAS, SOMETIMES CALLED "CRITICAL AREAS"

* GRADING AND SHAPING REQUIRED WHERE FEASIBLE PRACTICAL

* SEEDING PREPARATION NOT REQUIRED IF USING HYDRAULIC SEEDING AND FERTILIZING WHEN REQUIRED.

INCLUDING:

- CUT OR FILL SLOPES
- EARTH SPILLS
- BORROW AREAS
- CHANNEL BANKS
- BERMS
- ROADWAYS
- SOILS AREAS
- GULLED LANDS

SLOPE	SEEDING
1:1 OR FLATTER	> 4" DEEP
2:1 TO 3:1	1" TO 4" DEEP
2:1 OR STEEPER	DEPRESSION EVERY 6"-8" WITH HAND TOOL

* MULCH ALL SLOPES STEEPER THAN 3% AND IN BOTTOM OF SPILLS AND ON ROAD BANKS
* AND/OR MULCH IMMEDIATELY

LIME AND FERTILIZER
AGRICULTURAL LIME IS REQUIRED UNLESS SOIL TESTS INDICATE OTHERWISE. APPLY AGRICULTURAL LIME AT A RATE OF ONE TON PER ACRE. GRADED AREAS REQUIRE LIME APPLICATION. SOILS CAN BE TESTED TO DETERMINE IF FERTILIZER IS NEEDED. ON REASONABLY FERTILE SOILS, OR SOIL MATERIAL, FERTILIZER IS NOT REQUIRED. FOR SOILS WITH VERY LOW FERTILITY, 500 TO 700 POUNDS OF 10-10-10 FERTILIZER OR THE EQUIVALENT PER ACRE (12-16 LBS./1,000 SQ. FT.) SHALL BE APPLIED BEFORE LAND PREPARATION AND INCORPORATED WITH A DISK, RIPPER OR CHISEL.

NOTES
1. UNSCARIFIED
2. SCARIFIED
3. CENTPEDE SOG CAN BE USED AS PERMANENT COVER ANYTIME EXCEPT IN OCTOBER.
4. LISTED IN ORDER OF PREFERENCE.
5. ALL PERMANENT GRASS PLANTINGS SHALL BE MULCHED.

Ds3 DISTURBED AREA STABILIZATION (With Permanent Vegetation)

ESTABLISHING A PERMANENT VEGETATIVE COVER AS A DISTURBED AREA - TO STABILIZE THE SOIL - TO REDUCE DAMAGE FROM SEDIMENT AND RUNOFF TO DOWNSTREAM AREAS - TO IMPROVE WILDLIFE HABITAT AND VISUAL RESOURCES

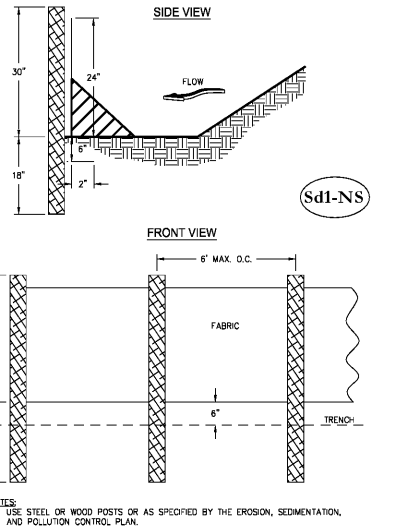
Ds2 - Ds3 NOTES:

- FOR TEMPORARY GRASSING SEE SEEDING RATES FOR TEMPORARY & PERMANENT COVER. THE TEMPORARY GRASSING SHALL BE APPLIED WITHIN 14 DAYS OF DISTURBANCE.
- A 6-12-12 FERTILIZER SHALL BE USED ON THE DISTURBED AREA OF Ds2 AND SHALL BE APPLIED AT A RATE OF 1500 LBS. PER AC.
- FOR PERMANENT GRASSING SEE SEEDING RATES FOR TEMPORARY & PERMANENT COVER. IF A HYDRAULIC SEEDER IS TO BE USED, REFER TO THE EROSION AND SEDIMENT CONTROL MANUAL FOR FURTHER DIRECTION ON THE METHOD OF APPLICATION.
- A 6-12-12 FERTILIZER SHALL BE USED ON THE DISTURBED AREA OF Ds3 AND SHALL BE APPLIED AT RATE OF 1500 LBS. PER AC.
- DRIED STRAW OR DRY HAY SHALL BE USED FOR MULCHING AND APPLIED AT A RATE OF 2 TONS PER ACRE. MULCH WILL BE SPREAD BY BLOWER-TYPE SPREADING EQUIPMENT, OTHER SPREADING EQUIPMENT OR BY HAND. MULCH SHALL BE APPLIED TO COVER 75% OF THE SOIL SURFACE.

SEEDING RATES FOR TEMPORARY & PERMANENT COVER

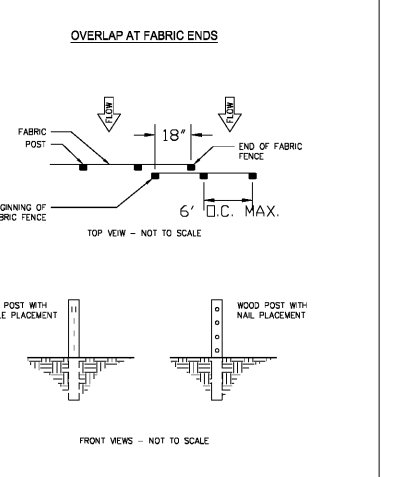
MONTH	TEMPORARY COVER	RATES PER ACRE SEEDING ALONE		PERMANENT COVER	RATES PER ACRE SEEDING ALONE	
		ADDED TO MIX	ADDED TO MIX		ADDED TO MIX	ADDED TO MIX
JANUARY	RYEGRASS	40 lbs.	-	UNHULLED BERMUDA	10 lbs.	6 lbs.
	RYE	3 bu.	.5 bu.	SERICA LESPEDEZA*	75 lbs.	-
FEBRUARY	ANNUAL LESPEDEZA	40 lbs.	10 lbs.	UNHULLED BERMUDA	10 lbs.	8 lbs.
	RYEGRASS	40 lbs.	5 bu.	SERICA LESPEDEZA*	75 lbs.	-
MARCH	WEEPING LOVEGRASS	4 lbs.	4 lbs.	PENSACOLA BAHIA	60 lbs.	30 lbs.
	ANNUAL LESPEDEZA	40 lbs.	40 lbs.	HULLED BERMUDA	60 lbs.	8 lbs.
APRIL	WEEPING LOVEGRASS	4 lbs.	4 lbs.	PENSACOLA BAHIA	60 lbs.	30 lbs.
	SUDANGRASS	80 lbs.	80 lbs.	HULLED BERMUDA	60 lbs.	10 lbs.
MAY	BROWN TOP MILLET	40 lbs.	40 lbs.	SERICA LESPEDEZA*	75 lbs.	-
	WEEPING LOVEGRASS	4 lbs.	4 lbs.	PENSACOLA BAHIA	60 lbs.	30 lbs.
JUNE	SUDANGRASS	80 lbs.	80 lbs.	HULLED BERMUDA	60 lbs.	10 lbs.
	BROWN TOP MILLET	40 lbs.	40 lbs.	SERICA LESPEDEZA*	75 lbs.	-
JULY	PEARL MILLET	50 lbs.	50 lbs.	PENSACOLA BAHIA	60 lbs.	30 lbs.
	SUDANGRASS	80 lbs.	80 lbs.	HULLED BERMUDA	60 lbs.	10 lbs.
AUGUST	BROWN TOP MILLET	40 lbs.	40 lbs.	SERICA LESPEDEZA*	75 lbs.	-
	PEARL MILLET	50 lbs.	50 lbs.	PENSACOLA BAHIA	60 lbs.	30 lbs.
SEPTEMBER	RYEGRASS	40 lbs.	3 bu.	SERICA LESPEDEZA*	75 lbs.	-
	WHEAT	3 bu.	3 bu.	-	-	-
OCTOBER	RYEGRASS	40 lbs.	4 bu.	SAME AS SEPTEMBER	SAME AS SEPTEMBER	SAME AS SEPTEMBER
	OATS	4 bu.	4 bu.	SAME AS SEPTEMBER	SAME AS SEPTEMBER	SAME AS SEPTEMBER
NOVEMBER	WHEAT	3 bu.	3 bu.	SAME AS SEPTEMBER	SAME AS SEPTEMBER	SAME AS SEPTEMBER
	RYEGRASS	40 lbs.	4 bu.	SAME AS SEPTEMBER	SAME AS SEPTEMBER	SAME AS SEPTEMBER
DECEMBER	WHEAT	3 bu.	3 bu.	SAME AS SEPTEMBER	SAME AS SEPTEMBER	SAME AS SEPTEMBER
	RYEGRASS	40 lbs.	4 bu.	SAME AS SEPTEMBER	SAME AS SEPTEMBER	SAME AS SEPTEMBER

SILT FENCE - TYPE NON-SENSITIVE



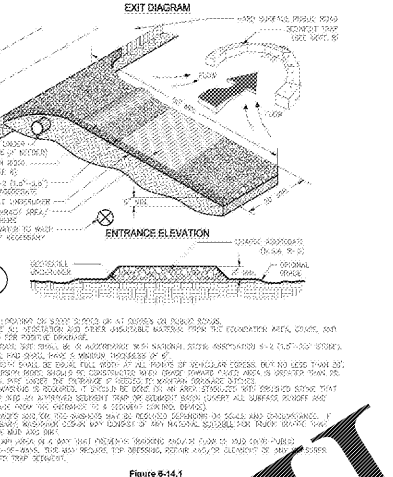
NOTES:
1. USE STEEL OR WOOD POSTS OR AS SPECIFIED BY THE EROSION, SEDIMENTATION, AND POLLUTION CONTROL PLAN.

FASTENERS FOR SILT FENCES



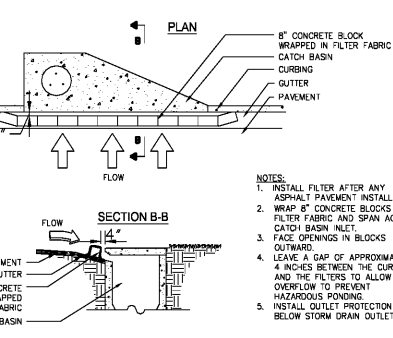
NOTES:
1. THE FABRIC AND WIRE SHOULD BE SECURELY FASTENED TO POSTS AND FABRIC ENDS MUST BE OVERLAPPED A MINIMUM OF 18" OR WRAPPED TOGETHER AROUND A POST TO PROVIDE A CONTINUOUS FABRIC BARRIER AROUND THE INLET.

CRUSHED STONE CONSTRUCTION EXIT



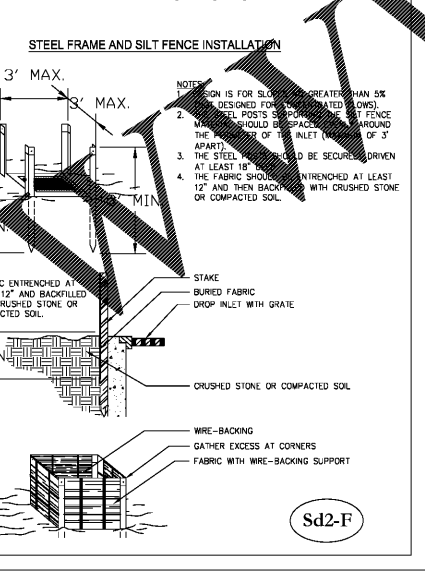
NOTES:
1. CRUSHED STONE SHALL BE 3/4" TO 1 1/2" IN SIZE AND SHALL BE PLACED IN A MINIMUM OF 18" DEEP BEDS.
2. CRUSHED STONE SHALL BE PLACED IN A MINIMUM OF 18" DEEP BEDS.
3. CRUSHED STONE SHALL BE PLACED IN A MINIMUM OF 18" DEEP BEDS.
4. CRUSHED STONE SHALL BE PLACED IN A MINIMUM OF 18" DEEP BEDS.
5. CRUSHED STONE SHALL BE PLACED IN A MINIMUM OF 18" DEEP BEDS.

CURB INLET FILTER "PIGS IN BLANKET"



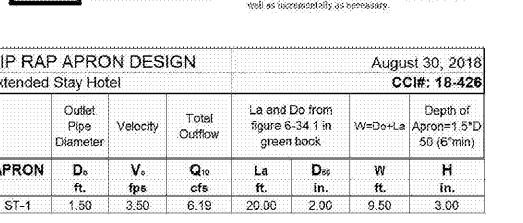
NOTES:
1. INSTALL FILTER AFTER ANY ASPHALT PAVEMENT INSTALLATION.
2. WRAP 8" CONCRETE BLOCKS IN FILTER FABRIC AND SPAN ACROSS CATCH BASIN INLET.
3. FACE OPENINGS IN BLOCKS OUTWARD.
4. LEAVE A GAP OF APPROXIMATELY 4 INCHES BETWEEN THE CURB AND THE FILTERS TO ALLOW FOR OVERFLOW TO PREVENT HAZARDOUS FLOWING.
5. INSTALL OUTLET PROTECTION BELOW STORM DRAIN OUTLETS.

FABRIC AND SUPPORTING FRAME FOR INLET PROTECTION



NOTES:
1. SIGN IS FOR SLOPE GREATER THAN SIX PERCENT.
2. WOOD POSTS SHOULD BE PLACED AT LEAST 18" APART.
3. THE STEEL FRAME SHOULD BE SECURELY DRIVEN AT LEAST 18" INTO THE GROUND.
4. THE FABRIC SHOULD BE WRENCHED AT LEAST 12" AND THEN BACK ON COMPACTED SOIL.

Ds1 DISTURBED AREA STABILIZATION (WITH MULCHING ONLY)



RIP RAP APRON DESIGN

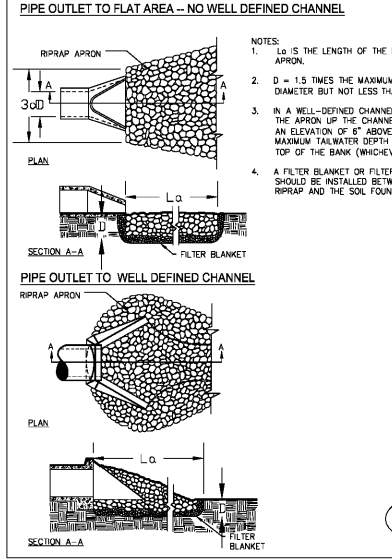
Outlet Pipe Diameter	Velocity	Total Outflow	La and Do from figure 6-34 1 in green bank	Depth of Apron=1.5'D 50 (6' min)
APRON D _s	V _s	Q _s	L _a D _s W	H
ST-1	1.50	3.50	6.19 20.00 2.00 9.50	3.00

INLET PROTECTION STORAGE CALCULATION

EXCAVATED INLET SEDIMENT STORAGE CALCULATION FOR EACH PROPOSED INLET:

- TOTAL DISTURBED AREA = 2.86 AC
NUMBER OF INLETS = 14
- REQUIRED SEDIMENT STORAGE = 67 CY/AC * DRAINAGE AREA
REQUIRED SEDIMENT STORAGE = 67 CY/AC * 2.86 AC
REQUIRED SEDIMENT STORAGE = 192 CY = 5,184 CF
SEDIMENT STORAGE PER INLET = 371 CF
- EXCAVATION DEPTH (MINIMUM OF 1.5 FT.) = 1.5 FT
- SLOPE OF SIDES (SHALL NOT BE STEEPER THAN 2:1) = 2:1
- REQUIRED SURFACE AREA/EXCAVATED SEDIMENT TRAP
S_{min} = REQUIRED SEDIMENT STORAGE/ SEDIMENT DEPTH
S_{min} = 567 CF / 1.5 FT
S_{min} = 378 SF min
- SHAPE OF EXCAVATION AND DETERMINE DIMENSIONS. (A RECTANGULAR SHAPE WITH 2:1 LENGTH TO WIDTH RATIO IS RECOMMENDED.)
SHAPE: RECTANGULAR
DIMENSIONS: L = 19 FT W = 19 FT
DIAMETER (IF APPLICABLE) = X FT
- TOTAL SEDIMENT STORED BY EXCAVATED TRAP = 13.7 CY/INLET
- TOTAL SEDIMENT STORED BY ALL TRAPS = 192 CY

RIPRAP OUTLET PROTECTION



NOTES:
1. L_a IS THE LENGTH OF THE RIPRAP APRON.
2. D = 1.5 TIMES THE MAXIMUM STONE DIAMETER BUT NOT LESS THAN 6".
3. IN A WELL-DEFINED CHANNEL, EXTEND THE APRON UP THE CHANNEL BANKS TO AN ELEVATION OF AT LEAST THE MAXIMUM TAILWATER DEPTH OR TO THE TOP OF THE BANK (WHICHEVER IS LESS).
4. A FILTER BLANKET OR FILTER FABRIC SHOULD BE INSTALLED BETWEEN THE RIPRAP AND THE SOIL FOUNDATION.

TENTATIVE ACTIVITY SCHEDULE

CONSTRUCTION DATES	MONTH 1	MONTH 2	MONTH 3	MONTH 4	MONTH 5	MONTH 6	MONTH 7	MONTH 8	MONTH 9	MONTH 10	MONTH 11	MONTH 12
CONSTRUCTION												
SILT FENCES AND OTHER E&SC PRACTICES												
CLEARING AND GRUBBING												
GRADING / UTILITY INSTALLATION												
DISTURBED AREA STABILIZATION (WITH TEMPORARY SEEDING)												
FINE GRADING AND PAVING												
BUILDING CONSTRUCTION												
DISTURBED AREA STABILIZATION (WITH PERMANENT VEGETATION)												
LANDSCAPE INSTALLATION												
MAINTAIN ES & PO BMPs												

THE ESCAPE OF SEDIMENTS FROM THE SITE SHALL BE PREVENTED BY THE INSTALLATION OF EROSION AND SEDIMENT CONTROL MEASURES AND PRACTICES PRIOR TO, OR CONCURRENT WITH LAND DISTURBING ACTIVITIES

COLEMAN COMPANY
ENGINEERS - SURVEYORS
Savannah, Georgia (912) 200-2001 | COLEMAN.COM

NOT FOR CONSTRUCTION

GEORGIA
Professional Engineer
No. 051215
Professional Seal
1975 to Present

REVISIONS:

NO.	DATE	DESCRIPTION

CHEMICAL CONTROL

ADHESIVE	WATER	TYPE OF	APPLICATION
ANCHOR AERIAL PROTECTION	5:1	SPRAY	1000
ADHESIVE	10:1	SPRAY	100
ADHESIVE	4:1	SPRAY	100

CONTRACTOR SHALL EMPLOY THE FOLLOWING TEMPORARY METHODS TO LIMIT THE SURFACE AND AIR MOVEMENT OF DUST FROM EXPOSED SOIL SURFACES:

*TEMPORARY METHODS:
- MULCHES
- SPRAY ON ADHESIVES
- TILLING
- IRRIGATION
- BARRIERS
- CALCIUM CHLORIDE

*PERMANENT METHODS:
- PERMANENT VEGETATION
- TOPSOIL
- STONE COVER

CIVIL CONSTRUCTION PLANS FOR EXTENDED STAY HOTEL
LOCATED IN POOLER, GEORGIA
PREPARED FOR TANGER OUTLET

JOB NUMBER: 18-426
DATE: 8/23/18
DRAWN BY: JWR
CHECKED BY: TGB
SCALE: AS NOTED

EROSION CONTROL DETAILS

SHEET: **CE4.0**



NRCS ORIGINAL SUBMITTAL: 8/23/2018
NRCS SECOND SUBMITTAL: 10/4/2018