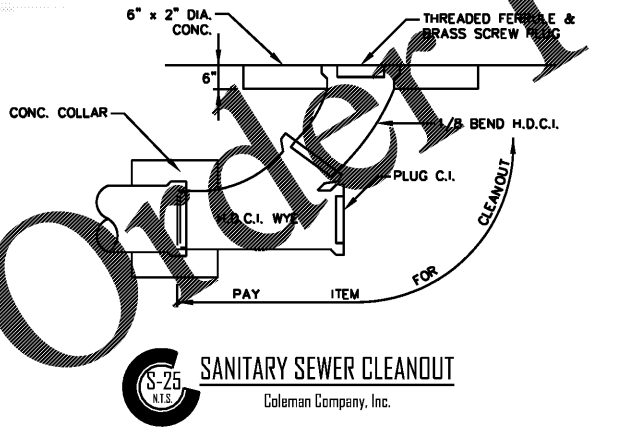
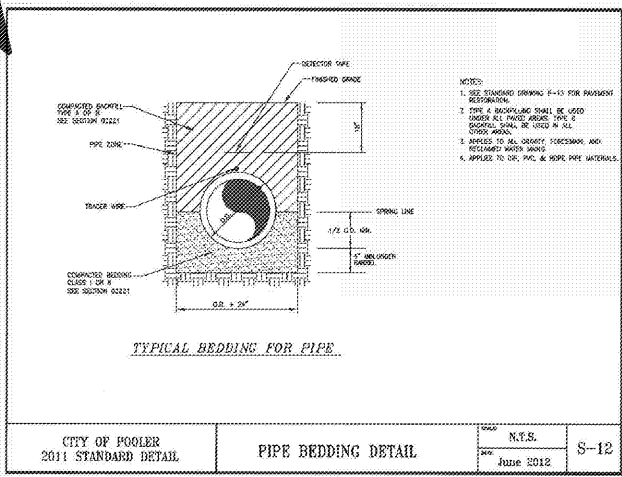
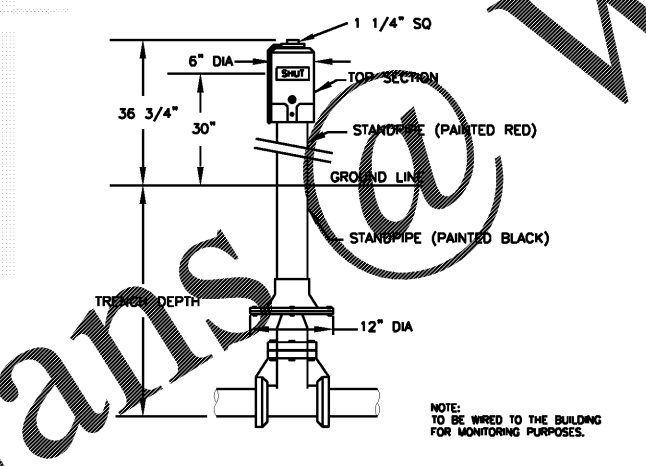
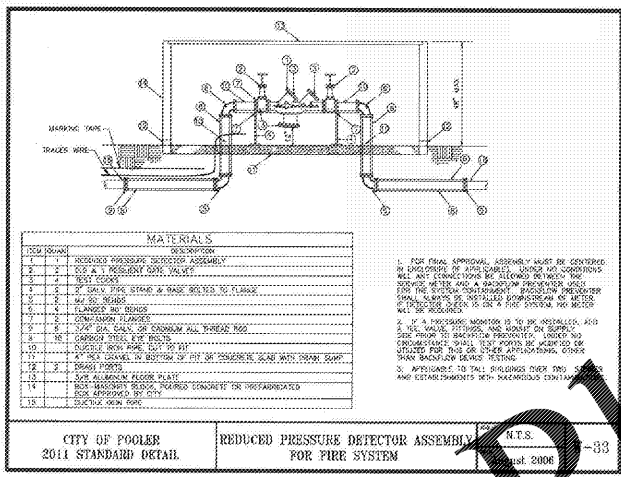
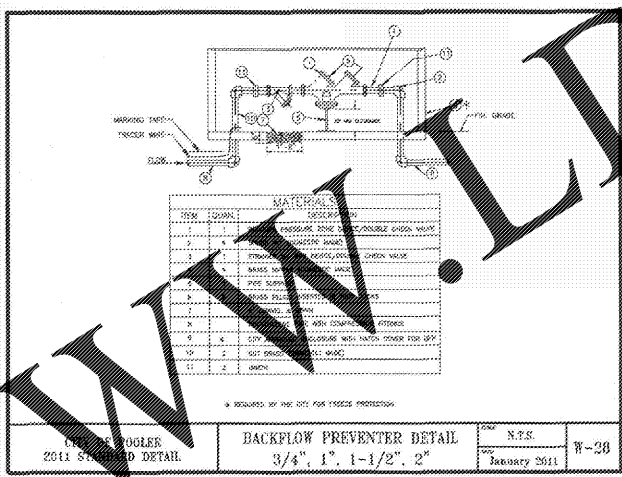
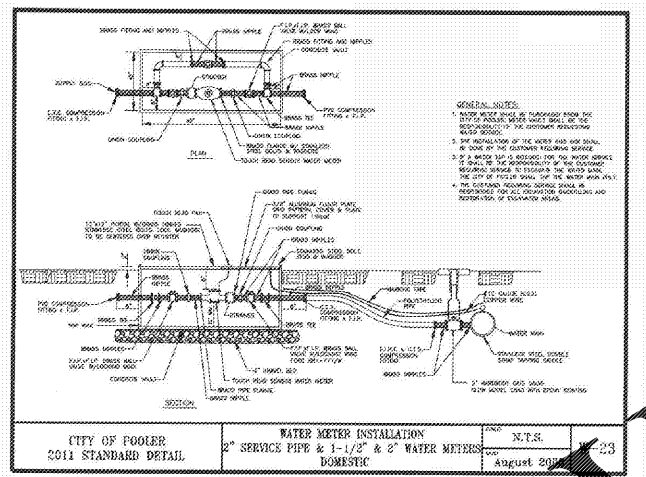
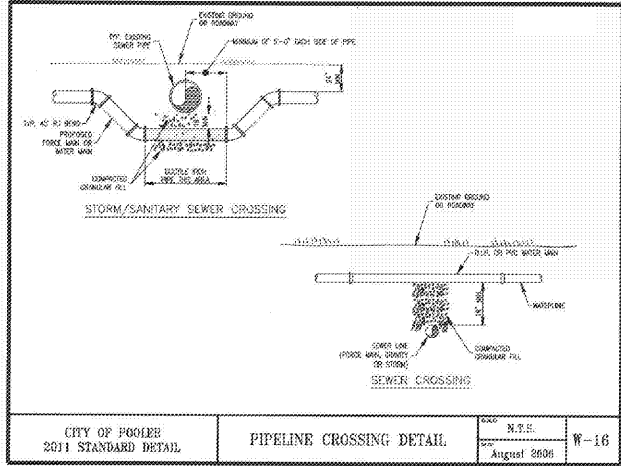
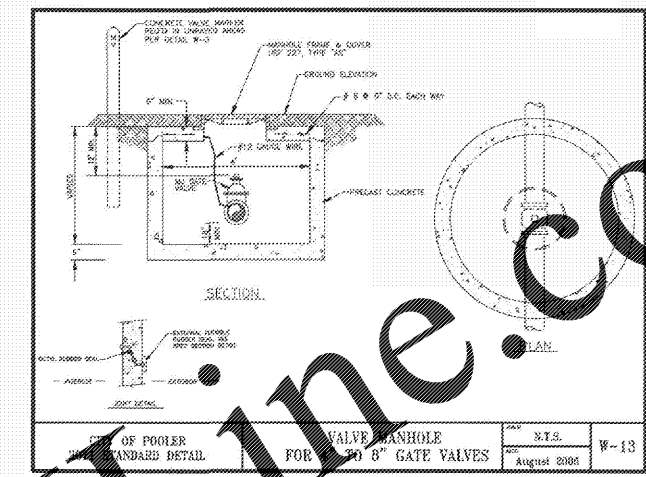
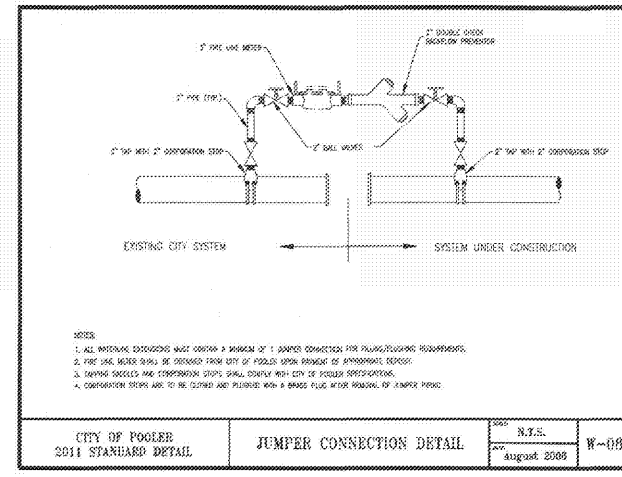
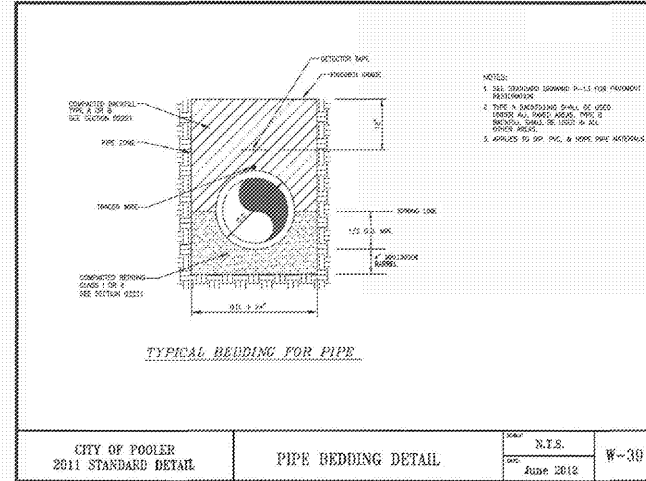
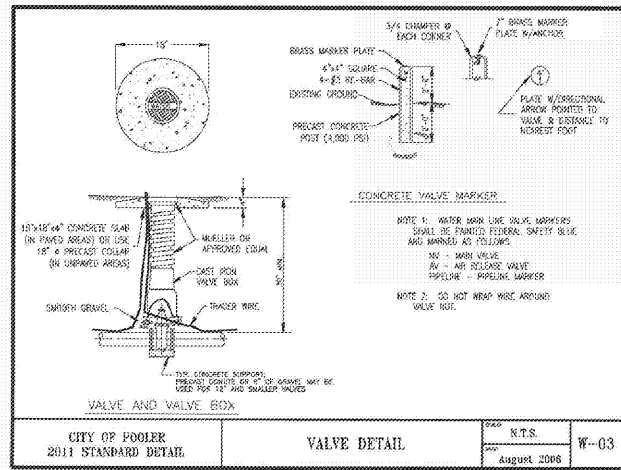


© 2018 COLEMAN COMPANY, INC. DATE PLOTTED: 10/26/2018 11:11 AM BY: DAVIS WATSON DRAWING PATH: O:\18-426\DWG\18-426 Main Project 8-16-18.dwg



**COLEMAN COMPANY**  
ENGINEERS - SURVEYORS

SAVANNAH, GEORGIA (912) 200-3041 | CCI.SAV.COM

**NOT FOR CONSTRUCTION**

REVISIONS:

CIVIL CONSTRUCTION PLANS FOR  
**EXTENDED STAY HOTEL**  
LOCATED IN POOLER, GEORGIA  
PREPARED FOR TANGER OUTLET

JOB NUMBER: 18-426  
DATE: 8/23/18  
DRAWN BY: JWR  
CHECKED BY: TGB  
SCALE: AS NOTED

UTILITY DETAILS

SHEET:  
**C9.0**

