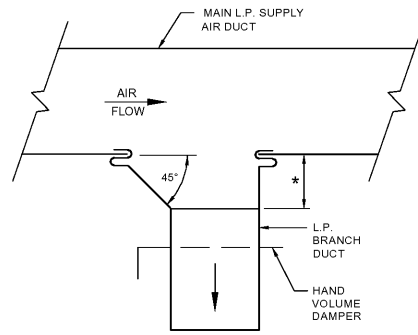


**FLEX DUCT TAKE-OFF DETAIL**

1  
M-201

NO SCALE

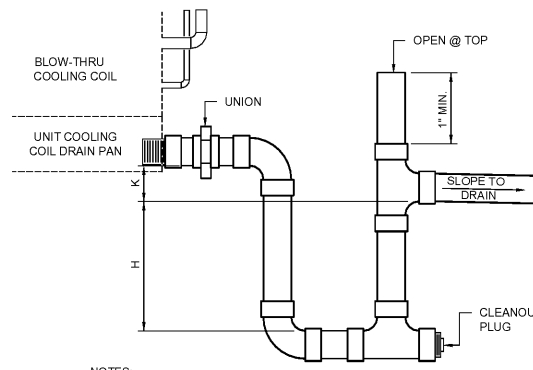


**DETAIL - TYPICAL LOW PRESSURE BRANCH DUCT TAKE OFF**

2  
M-201

\* - EQUALS 1/4 WIDTH OF BRANCH DUCT, 4" MIN.

NO SCALE

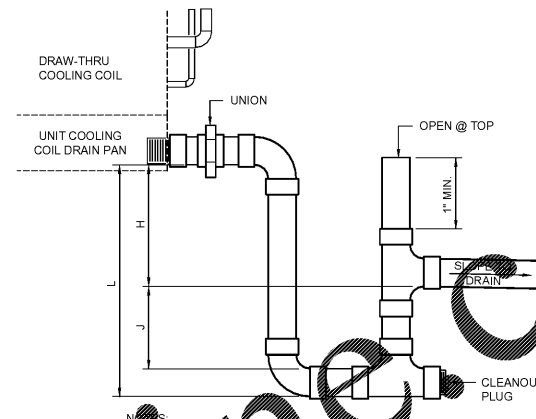


- NOTES:
1. DRAIN LINE CONNECTION SIZE SAME AS UNIT DRAIN SIZE.
  2. EXTEND DRAIN PIPING TO SPECIFIED LOCATION ON HVAC PLAN.
  3. DRAIN LINE TO BE SUPPORTED EVERY 4' WITH 3/8" ROD AND LIGHT-DUTY CLEVIS HANGER.
  4. K = MIN. 1/2"
  5. H = 1/2" + MAXIMUM TOTAL STATIC PRESSURE.

**DETAIL - CONDENSATE DRAIN TRAP**

3  
M-201

NO SCALE POSITIVE PRESSURE TRAP

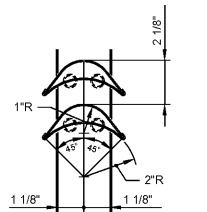


- NOTES:
1. DRAIN LINE CONNECTION SIZE SAME AS UNIT DRAIN SIZE.
  2. EXTEND DRAIN PIPING TO SPECIFIED LOCATION ON HVAC PLAN.
  3. DRAIN LINE TO BE SUPPORTED EVERY 4' WITH 3/8" ROD AND LIGHT-DUTY CLEVIS HANGER.
  4. H = (1" FOR EACH 1" OF MAXIMUM NEGATIVE STATIC PRESSURE)
  5. J = 1/2" OF H
  6. L = H + 1" PIPE DIA.

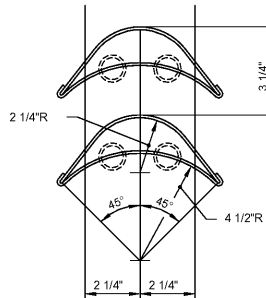
**DETAIL - CONDENSATE DRAIN TRAP**

4  
M-201

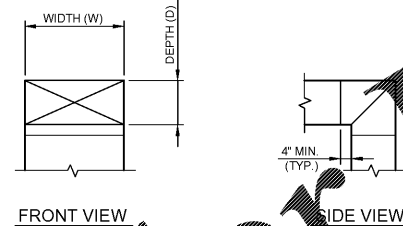
NO SCALE NEGATIVE PRESSURE TRAP



**SMALL DOUBLE VANE ELBOW**  
USE FOR ELBOWS UP TO 36" IN WIDTH AND/OR DEPTH



**LARGE DOUBLE VANE ELBOW**  
USE FOR ELBOWS 36" OR WIDER AND ANY DEPTH

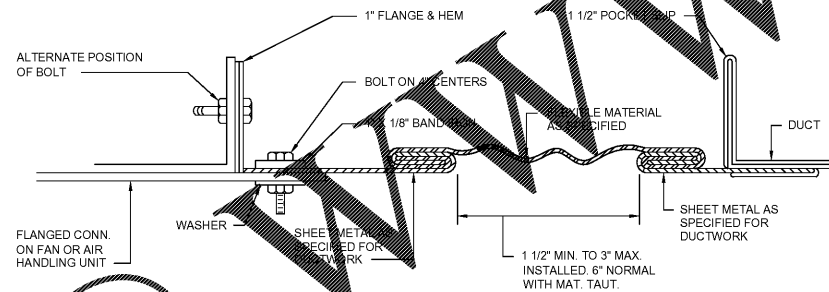


- NOTES:
1. ALL SQUARE OR RECTANGULAR ELBOWS SHALL HAVE ONE OF THE TWO TYPES OF TURNING VANES SHOWN ABOVE. SINGLE VANE ELBOWS WILL NOT BE ALLOWED, UNLESS SPECIFICALLY INDICATED.
  2. VANE GRILLES SHALL BE CONSTRUCTED, SUPPORTED AND FASTENED AS COMMENTED BY SMACNA.
  3. ALL SQUARE OR RECTANGULAR ELBOWS SHOWN ON PLANS FOR EXHAUST OR RETURN AIR MAY BE MADE RADIUS ELBOWS PROVIDED SPACE PERMITS RADIUS INSTALLATION.
  4. ALL SQUARE OR RECTANGULAR ELBOWS SHOWN ON PLANS FOR SUPPLY AIR MAY BE MADE RADIUS ELBOWS PROVIDED SPACE PERMITS RADIUS INSTALLATION AND/OR THERE ISN'T AN OUTLET OR TAKE-OFF WITHIN 5D ON THE DOWNSTREAM SIDE OF THE ELBOW.

**DETAIL - TYPICAL ELBOW**

9  
M-201

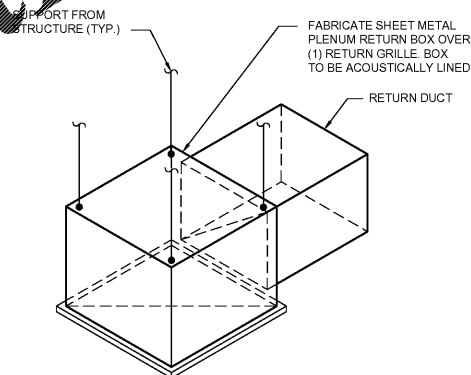
NO SCALE



**RECTANGULAR FLEXIBLE CONNECTION DETAIL**

6  
M-201

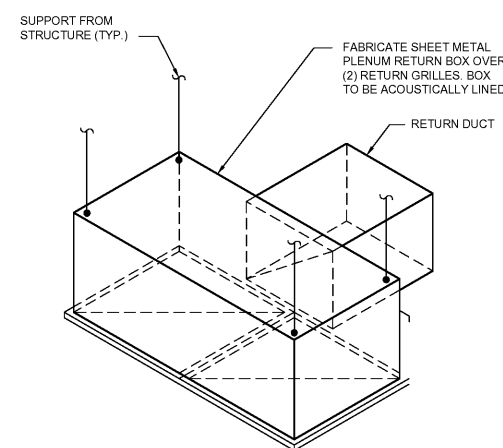
NO SCALE



**DETAIL - ONE GRILLE RETURN PLENUM BOX**

10  
M-201

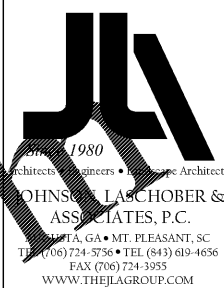
NO SCALE



**DETAIL - TWO GRILLE RETURN PLENUM BOX**

11  
M-201

NO SCALE



COLUMBIA COUNTY  
4325 EVANS TO LOCKS RD., EVANS, GA 30809

**HARLEM THEATER RENOVATIONS PROJECT**

PROJECT LOCATION:  
135 N. LOUISVILLE ST., HARLEM, GA 30814



REV	DATE	BY	DESCRIPTION
1	08/14/18	MNB	RE-ISSUE FOR CONSTRUCTION
0	05/09/18	MNB	ISSUED FOR CONSTRUCTION

PROJECT NO. 3045.1704  
DRAWN BY: MNB  
CHECKED BY: CVW  
DATE: 03/26/18

SHEET TITLE:  
**HVAC DETAILS**

SCALE: AS NOTED

DRAWING NO. **M-201** REV. 1