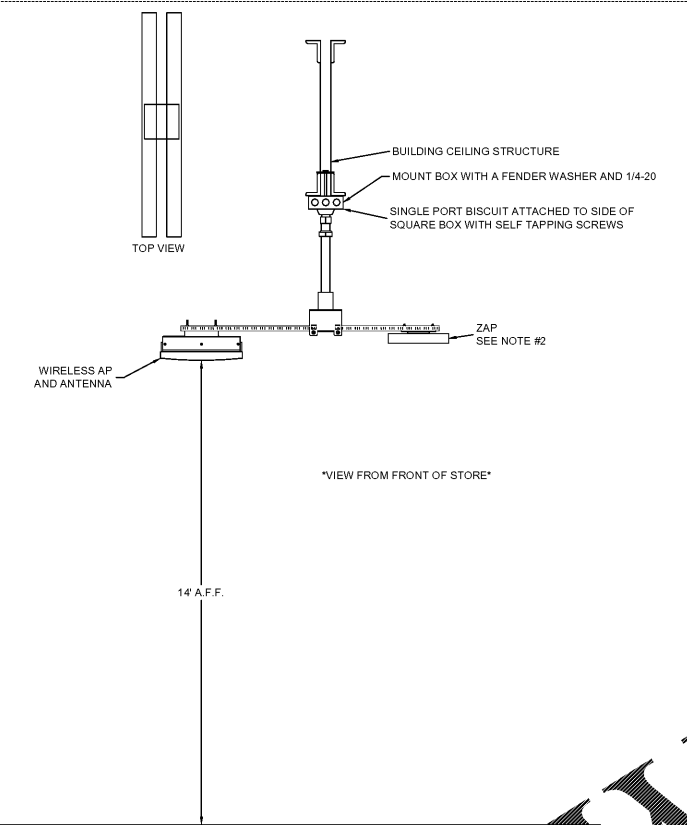
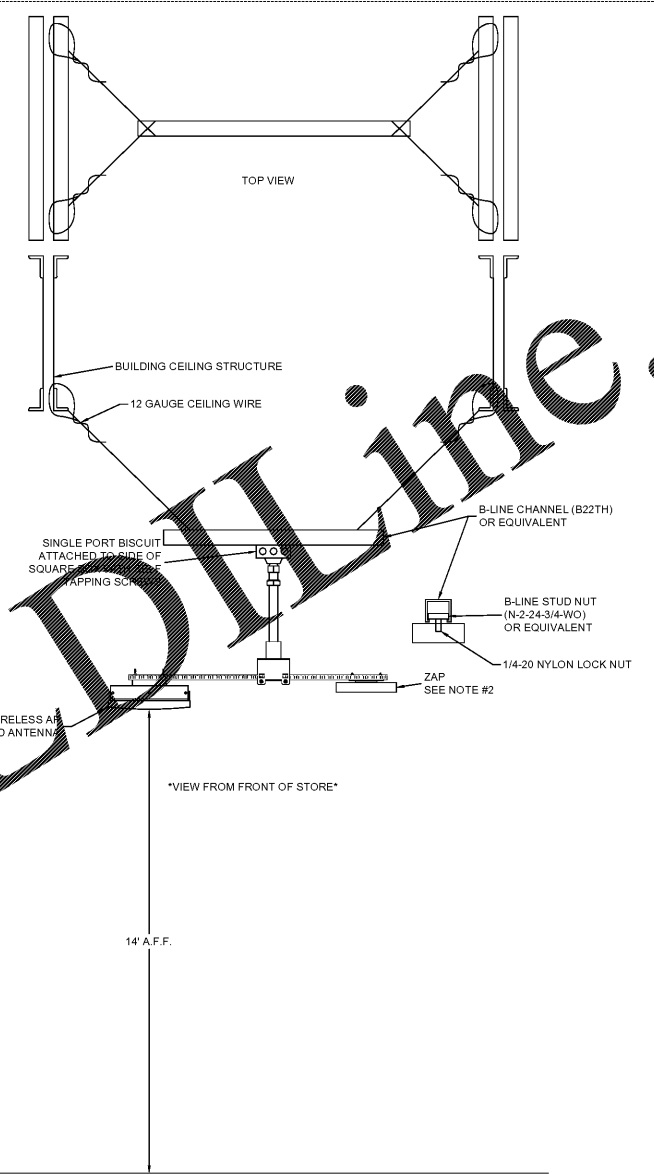


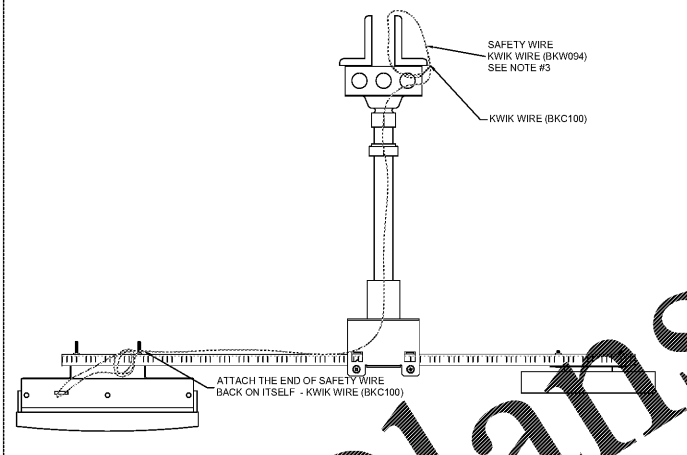
1 HARD CEILING MOUNT
SCALE: NTS



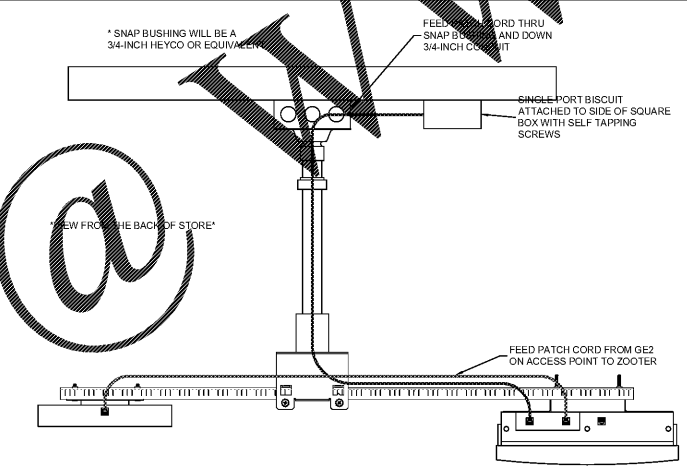
2 BUILDING STEEL MOUNT
SCALE: NTS



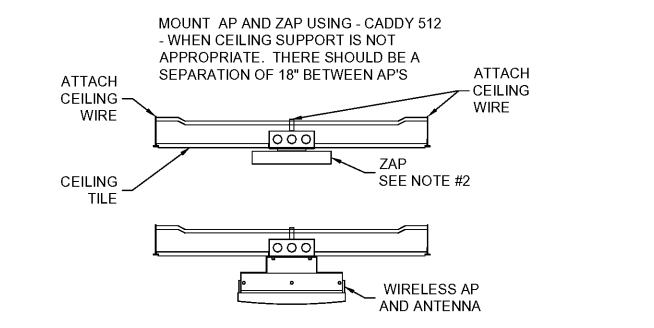
3 MOUNTING WHEN BUILDING STRUCTURE IS INACCESSIBLE
SCALE: NTS



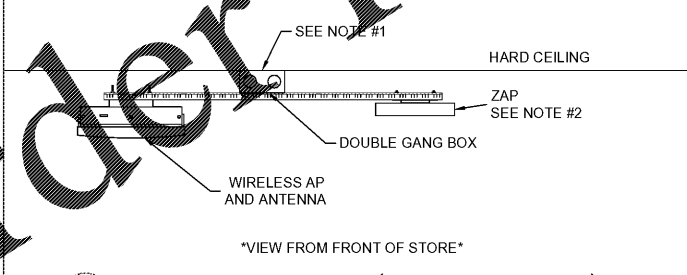
4 SAFETY WIRE
SCALE: NTS



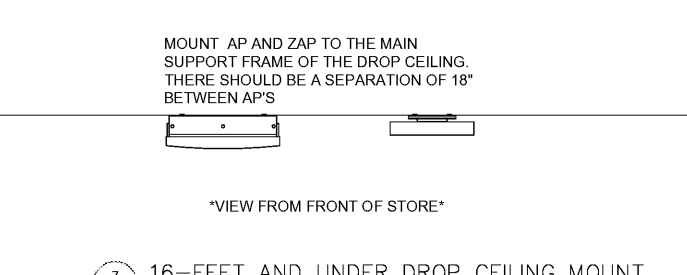
5 16-FOOT AND UNDER DROP CEILING MOUNT
SCALE: NTS



6 DROP CEILING MOUNT OPTION 2
SCALE: NTS



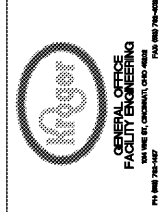
7 HARD CEILING MOUNT (14- FEET OR LESS)
SCALE: NTS



8 16- FEET AND UNDER DROP CEILING MOUNT
SCALE: NTS

- ZAP MOUNTING NOTES:**
1. WHEN MOUNTING TO A CONCRETE CEILING USE TAPCON OR DRIVE ANCHORS RATED TO SUPPORT 500lbs. WHEN MOUNTING TO A DRYWALL CEILING BE SURE TO ANCHOR TO A CEILING JOIST. (DO NOT USE DRYWALL ANCHORS)
 2. ZIGBEE AP's (ZAP's) SHOULD BE TO THE RIGHT OF THE AP's WHEN STANDING IN FRONT AND LOOKING TOWARDS THE BACK OF THE STORE. THE RED LIGHT ON THE BOTTOM OF THE ZAP'S SHOULD BE TOWARDS THE BACK LEFT OF THE STORE. THE LAN PORTS ON THE AP'S SHOULD BE TOWARDS THE BACK OF THE STORE.
 3. SAFETY WIRE SHALL BE FIRMLY ATTACHED TO THE HARD CEILING OR BUILDING STRUCTURE. THEN FEED INTO THE 4x4 SQUARE BOX AND DOWN THRU THE 3/4" CONDUIT. EXIT THE SINGLE GANG BOX AND FEED THRU THE SAFETY EYELET ON THE AP. THEN WRAP TWICE AROUND THE AP MOUNTING BRACKET AND 3/4" CONDUIT.

MID-ATLANTIC (NEW) ARTISAN INFRASTRUCTURE SOLUTIONS
MULTI-FEATURE ZIGBEE ZAP
HAMPTON, VA
PHONE: (540) 824-9824 FAX: (540) 824-9831



NEW STORE IFB
R-543
MERCURY BLVD.
HAMPTON, VA.

11/1/2018	
104824 98	AP MOUNTING DETAIL 1
R-543	T1.6.2

Order Plans

www.LDLine.com