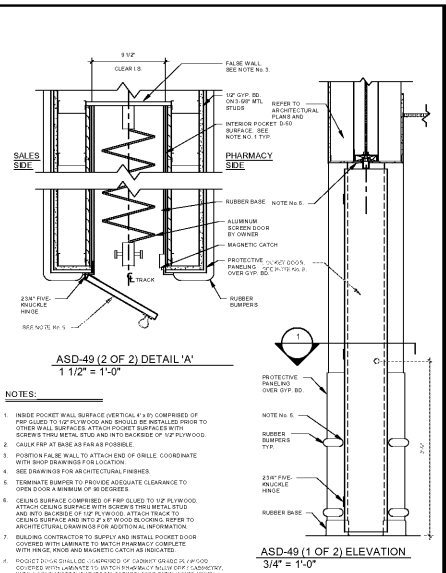


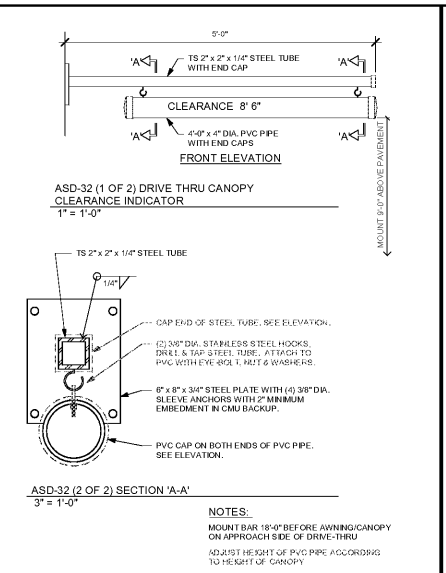
**ASD-50 SLIDING GRILLE TRACK SECTION**  
6" = 1'-0"

DATE: 11/21/14	DATE: 11/21/14
DRAWN: ZAW	DRAWN: ZAW
MASTER SPECIFICATION DETAIL	MASTER SPECIFICATION DETAIL
ASD-50	ASD-50



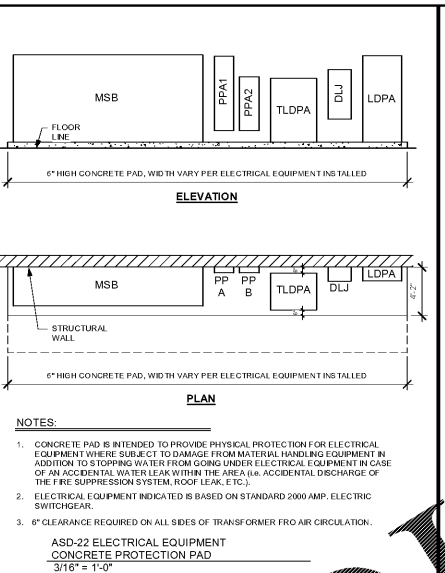
**ASD-49 (1 OF 2) ELEVATION**  
3/4" = 1'-0"

DATE: 11/10/16	DATE: 11/10/16
DRAWN: ZAW	DRAWN: ZAW
MASTER SPECIFICATION DETAIL	MASTER SPECIFICATION DETAIL
ASD-49	ASD-49



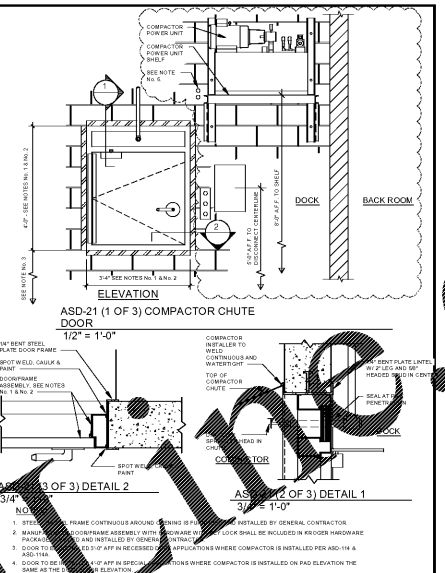
**ASD-32 (2 OF 2) SECTION 'A-A'**  
3" = 1'-0"

DATE: 11/10/16	DATE: 11/10/16
DRAWN: JFG	DRAWN: JFG
MASTER SPECIFICATION DETAIL	MASTER SPECIFICATION DETAIL
ASD-32	ASD-32



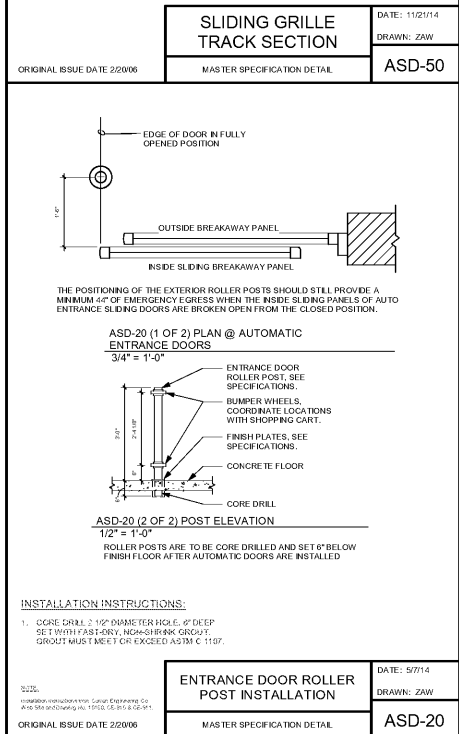
**ASD-22 ELECTRICAL EQUIPMENT CONCRETE PROTECTION PAD**  
3/16" = 1'-0"

DATE: 7/6/06	DATE: 7/6/06
DRAWN: JFG	DRAWN: JFG
MASTER SPECIFICATION DETAIL	MASTER SPECIFICATION DETAIL
ASD-	ASD-



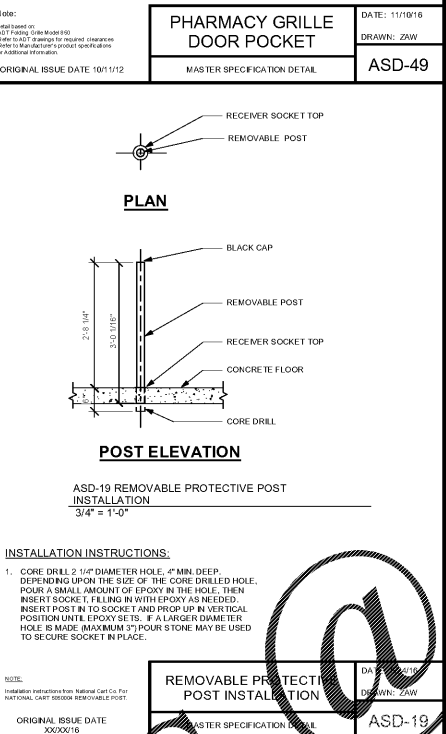
**ASD-21 (1 OF 3) COMPACTOR CHUTE**  
1/2" = 1'-0"

DATE: 6/5/15	DATE: 6/5/15
DRAWN: ZAW	DRAWN: ZAW
MASTER SPECIFICATION DETAIL	MASTER SPECIFICATION DETAIL
ASD-21	ASD-21



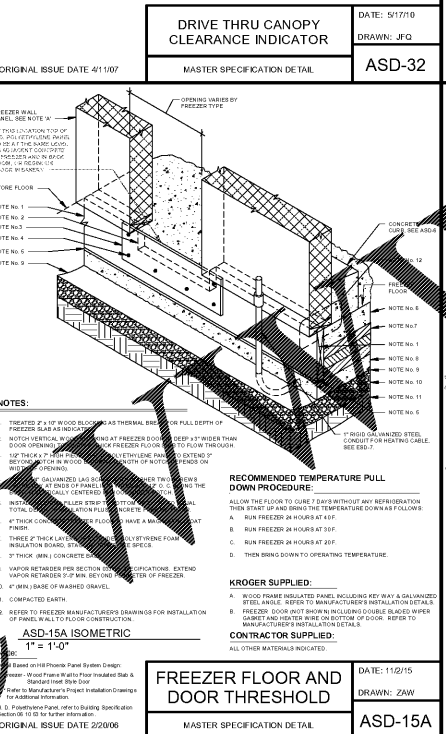
**ASD-20 (1 OF 2) PLAN @ AUTOMATIC ENTRANCE DOORS**  
3/4" = 1'-0"

DATE: 5/7/14	DATE: 5/7/14
DRAWN: ZAW	DRAWN: ZAW
MASTER SPECIFICATION DETAIL	MASTER SPECIFICATION DETAIL
ASD-20	ASD-20



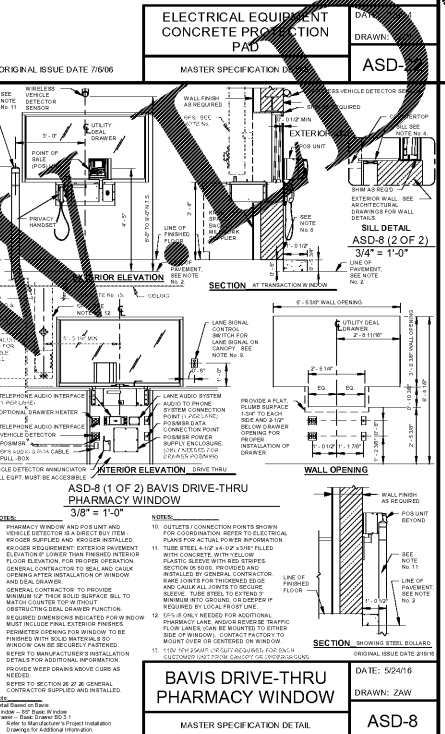
**ASD-19 REMOVABLE PROTECTIVE POST INSTALLATION**  
3/4" = 1'-0"

DATE: 11/21/16	DATE: 11/21/16
DRAWN: ZAW	DRAWN: ZAW
MASTER SPECIFICATION DETAIL	MASTER SPECIFICATION DETAIL
ASD-19	ASD-19



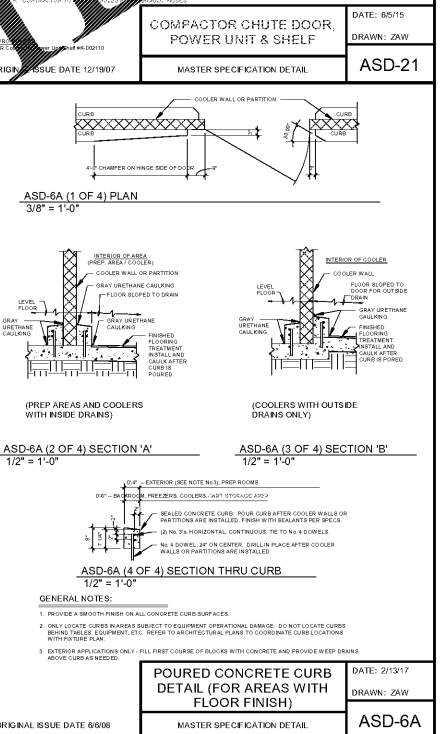
**ASD-15A ISOMETRIC**  
1" = 1'-0"

DATE: 11/21/16	DATE: 11/21/16
DRAWN: ZAW	DRAWN: ZAW
MASTER SPECIFICATION DETAIL	MASTER SPECIFICATION DETAIL
ASD-15A	ASD-15A



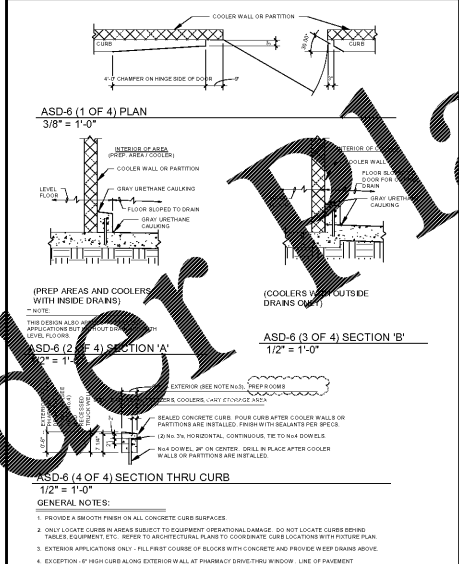
**ASD-8 (1 OF 2) BAVIS DRIVE-THRU PHARMACY WINDOW**  
3/8" = 1'-0"

DATE: 5/24/16	DATE: 5/24/16
DRAWN: ZAW	DRAWN: ZAW
MASTER SPECIFICATION DETAIL	MASTER SPECIFICATION DETAIL
ASD-8	ASD-8



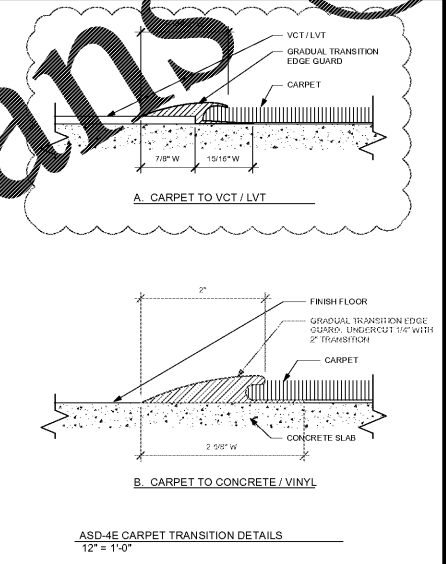
**ASD-6A (4 OF 4) SECTION THRU CURB**  
1/2" = 1'-0"

DATE: 2/13/17	DATE: 2/13/17
DRAWN: ZAW	DRAWN: ZAW
MASTER SPECIFICATION DETAIL	MASTER SPECIFICATION DETAIL
ASD-6A	ASD-6A



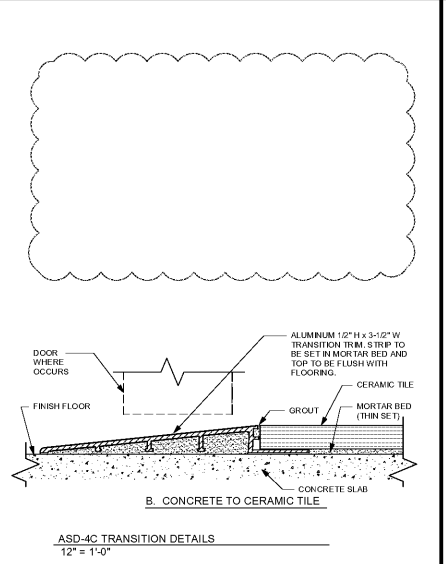
**ASD-6 (3 OF 4) SECTION 'B'**  
1/2" = 1'-0"

DATE: 7/13/16	DATE: 7/13/16
DRAWN: ZAW	DRAWN: ZAW
MASTER SPECIFICATION DETAIL	MASTER SPECIFICATION DETAIL
ASD-6	ASD-6



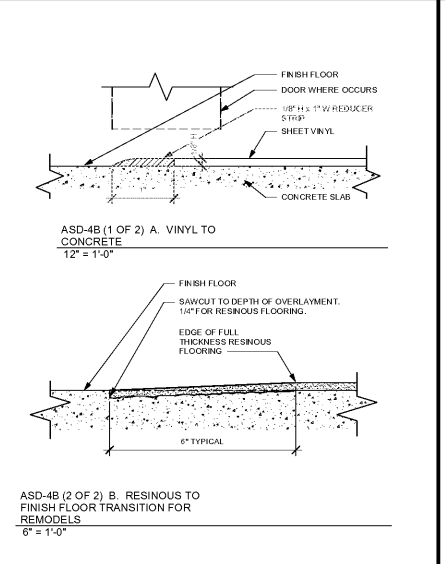
**ASD-4E CARPET TRANSITION DETAILS**  
12" = 1'-0"

DATE: 7/13/16	DATE: 7/13/16
DRAWN: ZAW	DRAWN: ZAW
MASTER SPECIFICATION DETAIL	MASTER SPECIFICATION DETAIL
ASD-4E	ASD-4E



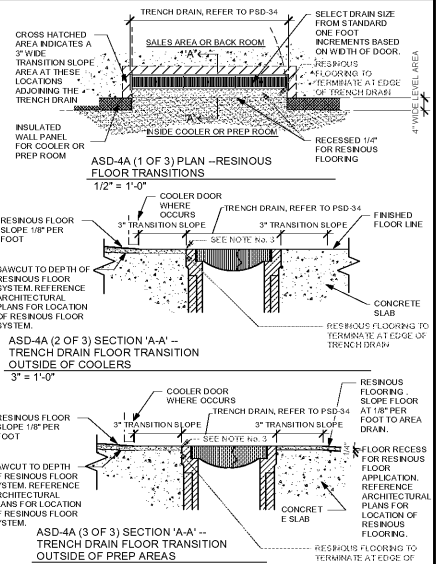
**ASD-4C TILE TRANSITION DETAILS**  
12" = 1'-0"

DATE: 9/10/15	DATE: 9/10/15
DRAWN: ZAW	DRAWN: ZAW
MASTER SPECIFICATION DETAIL	MASTER SPECIFICATION DETAIL
ASD-4C	ASD-4C



**ASD-4B (2 OF 2) B. RESIN TO FINISH FLOOR TRANSITION FOR REMODELS**  
6" = 1'-0"

DATE: 11/10/11	DATE: 11/10/11
DRAWN: ZAW	DRAWN: ZAW
MASTER SPECIFICATION DETAIL	MASTER SPECIFICATION DETAIL
ASD-4B	ASD-4B



**ASD-4A (3 OF 3) SECTION 'A-A' -- TRENCH DRAIN FLOOR TRANSITION OUTSIDE OF PREP AREAS**  
3" = 1'-0"

DATE: 11/23/15	DATE: 11/23/15
DRAWN: ZAW	DRAWN: ZAW
MASTER SPECIFICATION DETAIL	MASTER SPECIFICATION DETAIL
ASD-4A	ASD-4A

**POURED CONCRETE CURB DETAIL (FOR AREAS WITHOUT FLOOR FINISH)**  
DATE: 2/13/17  
DRAWN: ZAW  
MASTER SPECIFICATION DETAIL  
ASD-6

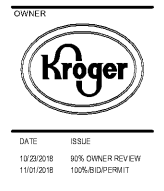
**CARPET TRANSITION DETAILS**  
DATE: 7/13/16  
DRAWN: ZAW  
MASTER SPECIFICATION DETAIL  
ASD-4E

**TILE TRANSITION DETAILS**  
DATE: 9/10/15  
DRAWN: ZAW  
MASTER SPECIFICATION DETAIL  
ASD-4C

**TRANSITION DETAILS**  
DATE: 11/10/11  
DRAWN: ZAW  
MASTER SPECIFICATION DETAIL  
ASD-4B

**RESINOUS FLOORING TRANSITIONS**  
DATE: 11/23/15  
DRAWN: ZAW  
MASTER SPECIFICATION DETAIL  
ASD-4A

EXECUTED BY: GB  
REVIEWED BY: AF  
DATE: 11/23/15  
PROJECT: R543  
CONSULTANTS: architecture + design



DATE: 11/23/15  
OWNER: KROGER STORE R543  
11/23/15 10% OWNER REVIEW  
11/23/15 100% PERMIT

PROJECT TITLE: KROGER STORE R543  
1955 W. Mercury Blvd.  
Hampton, VA 23666  
COMMISSION NO: 518344  
ISSUE DATE: 11/01/18  
SHEET TITLE: ARCHITECTURAL STANDARD DETAILS (ASD)  
SHEET NO: A5.1.1