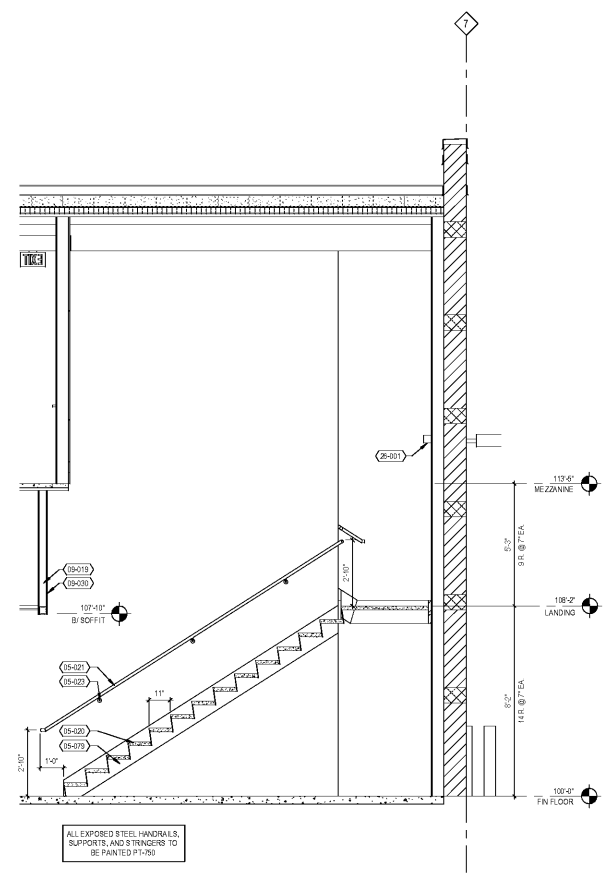
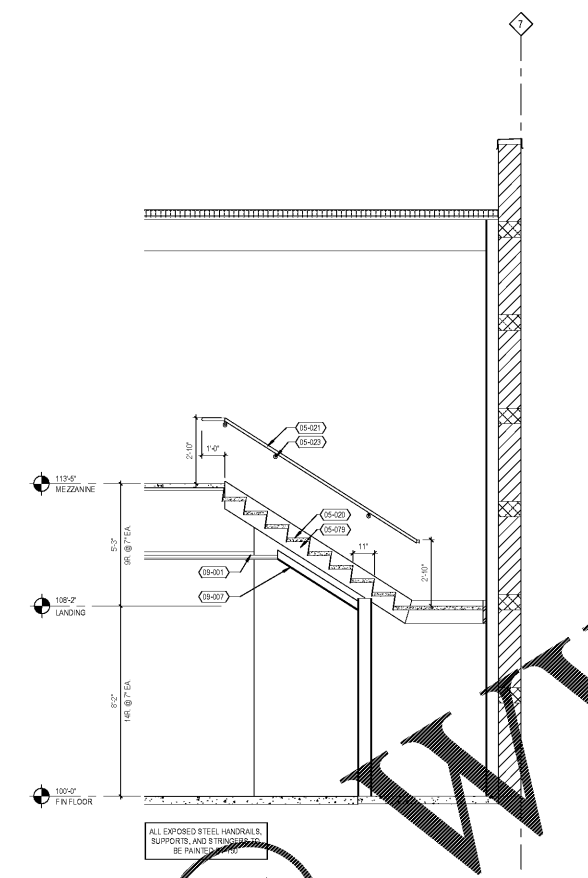


KEYNOTES

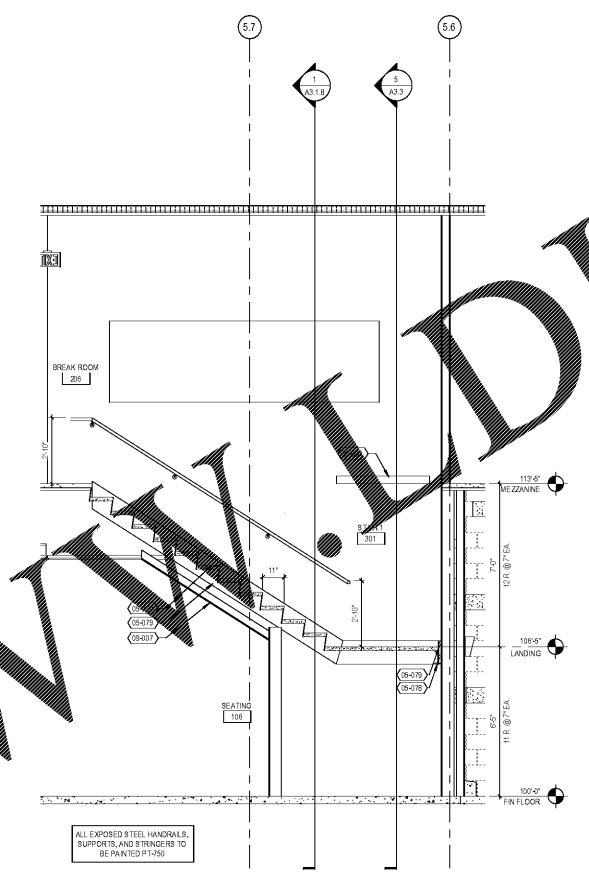
- 05-200 CONCRETE-FILLED STEEL PAN TREADLANDING
- 05-201 1 1/2" O.D. STEEL PIPE GUARDRAIL/HANDRAIL
- 05-202 PIPE RAIL SUPPORT BRACKETS 8" SPACES AT 4'-0" O.C. MAX
- 05-208 STEEL CHANNEL
- 05-209 8" I-BEAM STRINGER
- 05-210 FRAMED OPENING, SIZE INDICATED ON A1-1 FLOOR PLAN
- 05-201 FINISHED CEILING, RE: A1-3-REFLECTED CEILING PLAN
- 05-207 BLOTTED GYP/WALL BOARD CEILING ALONG UNDERSIDE OF STAIR
- 05-211 METAL STUD CEILING, RE: A1-1-FLOOR PLAN, A2-2-INTERIOR WALL TYPES PLAN, & A2-1-FY-TYPOR WALL TYPES FOR ADDITIONAL INFORMATION
- 05-215 DROP SOFFIT, RE: SWS-2 AND SWS-2
- 05-200 GYP/WALL BOARD
- 25-201 LIGHT FIXTURE - RE: ELECTRIC DRAWINGS



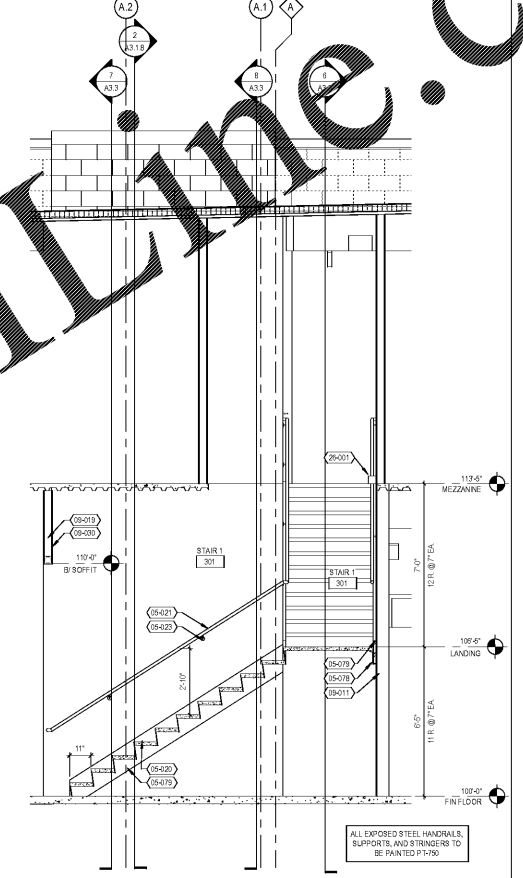
8 STAIR 2 SECTION
SCALE: 3/8" = 1'-0"



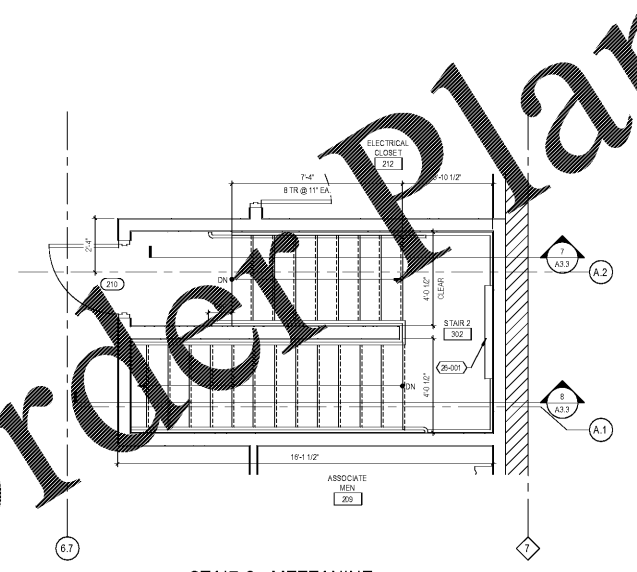
9 STAIR 2 SECTION
SCALE: 3/8" = 1'-0"



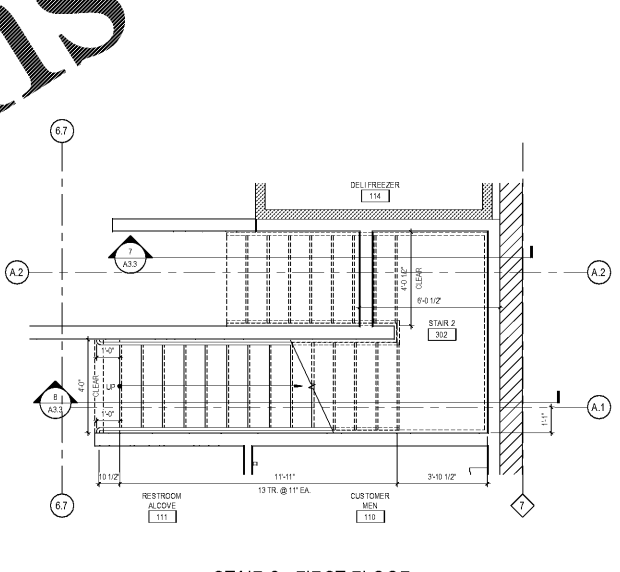
6 STAIR 1 SECTION
SCALE: 3/8" = 1'-0"



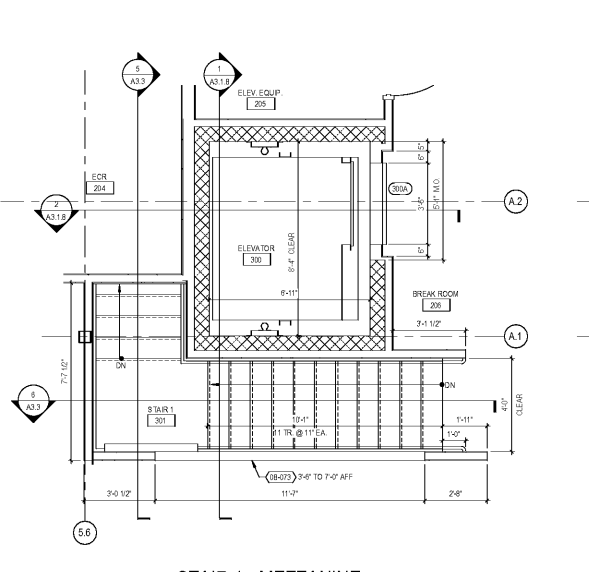
5 STAIR 1 SECTION
SCALE: 3/8" = 1'-0"



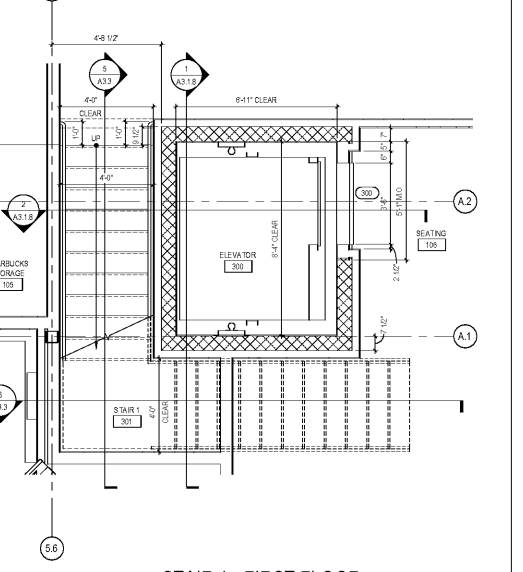
1 STAIR 2 - MEZZANINE
SCALE: 3/8" = 1'-0"



3 STAIR 2 - FIRST FLOOR
SCALE: 3/8" = 1'-0"



2 STAIR 1 - MEZZANINE
SCALE: 3/8" = 1'-0"



4 STAIR 1 - FIRST FLOOR
SCALE: 3/8" = 1'-0"

EXECUTED BY: Author
REVIEWED BY: Checker

CINCINNATI: 800 W. WINE ST., SUITE 200, CINCINNATI, OH 45202
DENVER: 1700 BROADWAY, SUITE 1700, DENVER, CO 80202
DALLAS: 1000 WEST END AVENUE, SUITE 1000, DALLAS, TX 75201
LEASDALE: 200 WEST WASHINGTON ST., SUITE 200, LEASDALE, IL 60438
SEATTLE: 900 2nd Avenue, Suite 2000, Seattle, WA 98104

CR
architecture + design

creating extraordinary places
www.cr-architects.com
303.459.4349

CONSULTANTS

Kroger

DATE: 03/04
10/28/08 50% OWNER REVIEW
11/01/08 100% BID/FORMAT

DATE	REVISION

PROJECT TITLE
KROGER STORE R543

1050 W. Mercury Blvd.
Hampton, VA 23666

COMMISSION NO: 518344
SHEET DATE: 11/01/08
SHEET TITLE:
ENLARGED STAIR PLANS + ELEVATIONS

SHEET NO:
A3.3

Order Plans

WWW.DIILINE.COM

THIS DOCUMENT IS THE PROPERTY OF CR ARCHITECTS. IT IS TO BE USED ONLY FOR THE PROJECT AND SITE SPECIFICALLY IDENTIFIED HEREIN. IT IS NOT TO BE REPRODUCED, COPIED, OR USED FOR ANY OTHER PROJECT WITHOUT THE WRITTEN PERMISSION OF CR ARCHITECTS, INC.