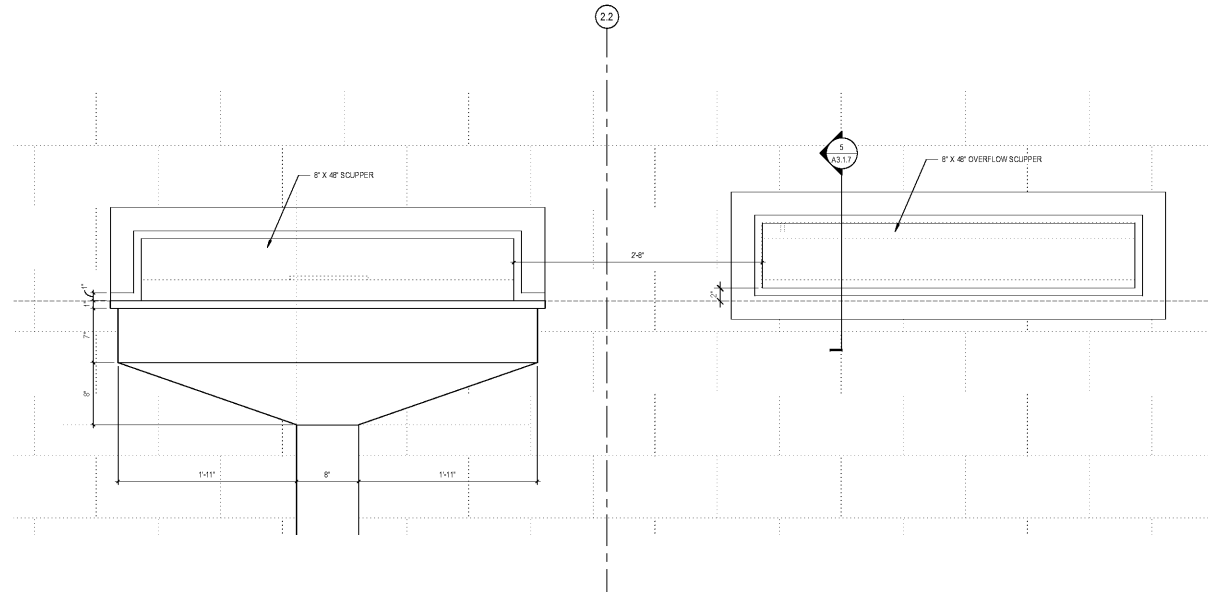
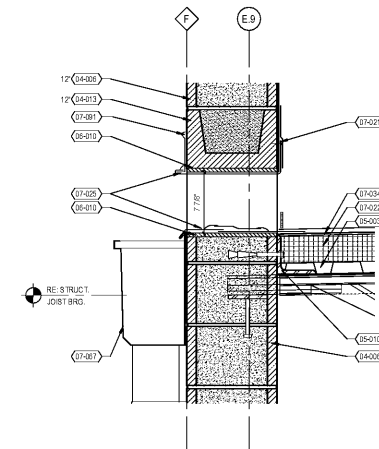


5 DETAIL
SCALE: 1 1/2" = 1'-0"



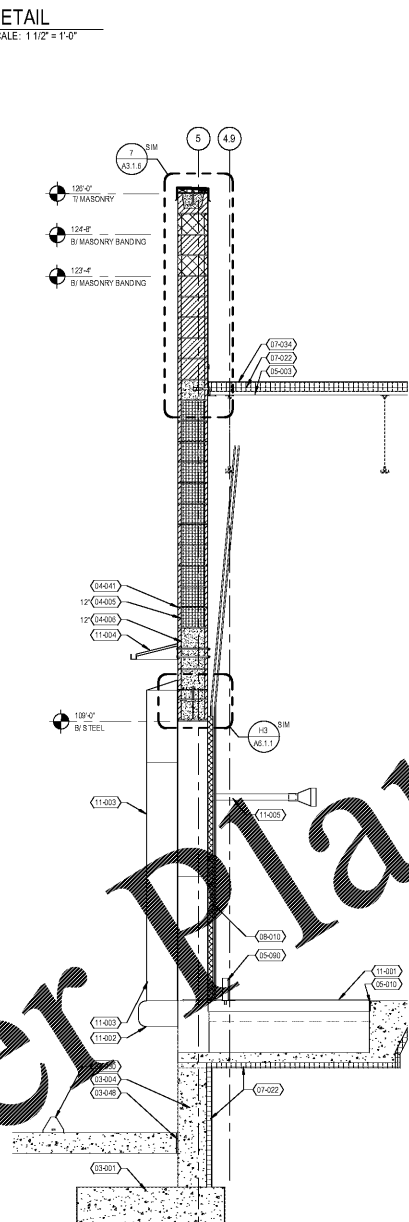
6 DETAIL
SCALE: 1 1/2" = 1'-0"



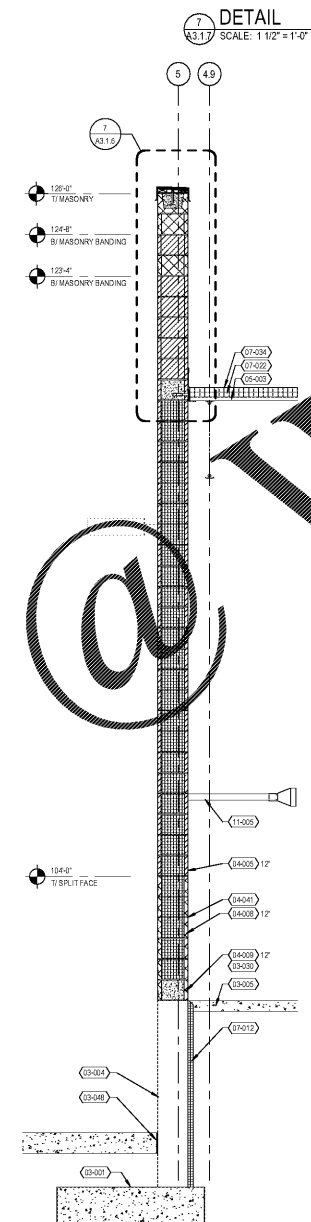
7 DETAIL
SCALE: 1 1/2" = 1'-0"

KEYNOTES

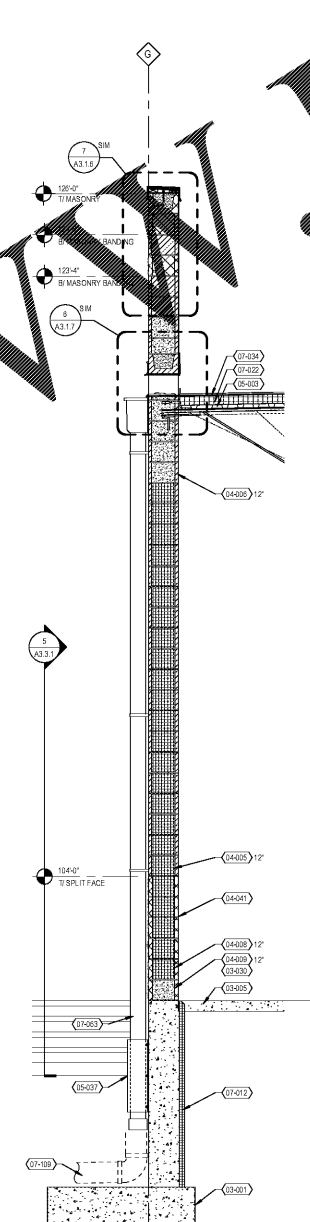
- 03-001 CONCRETE FOOTING, RE: STRUCTURAL DRAWINGS
- 03-004 CONCRETE FOUNDATION, RE: STRUCTURAL DRAWINGS
- 03-005 CONCRETE SLAB, RE: STRUCTURAL DRAWINGS
- 03-030 GROUT ONE COURSE SOLID ABOVE FINISH FLOOR, RE: STRUCTURAL DRAWINGS
- 03-046 1/2" EXPANSION MATERIAL
- 04-005 INSULATED DECORATIVE CONCRETE BRICK UNIT MASONRY - SIZE AS INDICATED
- 04-006 DECORATIVE CONCRETE BRICK UNIT MASONRY, GROUT CORE SOLID - SIZE AS INDICATED
- 04-008 INSULATED SPLIT FACE CMU - SIZE AS INDICATED
- 04-009 SPLIT FACE CMU, GROUT CORE SOLID - SIZE AS INDICATED
- 04-013 DECORATIVE CONCRETE BRICK UNIT MASONRY BOND BEAM - SIZE AS INDICATED, REFER TO STRUCTURAL DRAWINGS FOR REINFORCING
- 04-041 HORIZONTAL JOINT REINFORCING AT 16 INCHES O.C. VERT.
- 05-003 METAL DECK, RE: STRUCTURAL DRAWINGS
- 05-010 STEEL ANGLE, RE: STRUCTURAL DRAWINGS
- 05-037 1/4" STEEL DOWNPOUT GUARD, PT. NO. RE: ASD-48
- 05-090 DOOR DOOR PROTECTOR, RE: ASD-152
- 06-001 2x WOOD BLOCK/DIMENSIONAL
- 06-010 PLYWOOD BEATHING, 1/2" THICK U.N.D.
- 07-012 PERIMETER INSULATION, 2" THICK UNLESS NOTED OTHERWISE
- 07-021 ROOF MEMBRANE OR MEMBRANE FLASHING - EXTEND OVER TOP OF PARAPET WALL, REFER TO WALL SECTIONS AND ASD-44A, ASD-44B, ASD-44C SERIES FOR ADDITIONAL INFORMATION.
- 07-022 ROOF INSULATION BOARD, RE: A1-4-ROOF PLAN.
- 07-025 MEMBRANE FLASHING
- 07-034 MECHANICALLY FASTENED TPO MEMBRANE ROOF, RE: S1-14-ROOF PLAN, ASD-44A, & ASD-44C
- 07-063 PREFINISHED METAL DOWNPOUT, SIZE 6x6 U.N.D., MD-01 - REFER TO DRAWINGS FOR CONTINUATION.
- 07-067 PREFINISHED METAL DOWNPOUT WITH 4" MIN. FACE FLANGES
- 07-068 PREFINISHED METAL DOWNPOUT AND DOWNPOUT, RE: PULLING DOWN
- 07-081 SEALANT
- 07-089 SET FLASHING AS SHOWN FOR CONTINUATION OF FLASHING AT JOINT
- 08-010 JOINT SECTION AND GUIDE, U.N.D.
- 08-011 DOOR BUSHING, RE: STRUCTURAL DRAWINGS
- 11-000 DOOR SEAL
- 11-001 DOOR HEDS, U.N.D.
- 11-002 WALL BRACKETS, U.N.D. UNLESS INDICATED RE: ASD-43 & ASD-43A
- 32-000 WHEEL CHOCKS, RE: FIXTURE PLAN



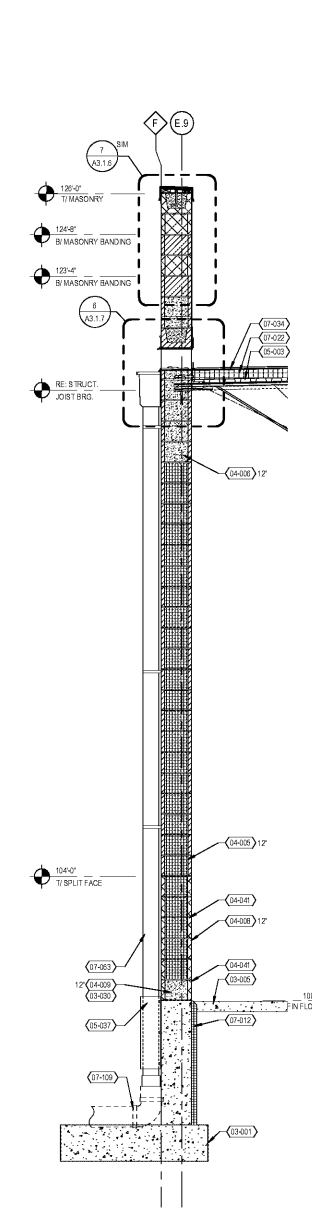
4 WALL SECTION
SCALE: 1/2" = 1'-0"



3 WALL SECTION
SCALE: 1/2" = 1'-0"



2 WALL SECTION
SCALE: 1/2" = 1'-0"



1 WALL SECTION
SCALE: 1/2" = 1'-0"

EXECUTED BY: JA
REVIEWED BY: JF

CONCERNATI 800 West 10th Street, Suite 200, Seattle, WA 98101
DENVER 1075 Broadway, Suite 1000, Denver, CO 80202
DALLAS 1000 Ross Street, Suite 1000, Dallas, TX 75201
SEATTLE 900 2nd Avenue, Suite 2000, Seattle, WA 98101

PH: 206.468.0848
FAX: 206.468.0849
WWW.ZACHICKS.COM

creating extraordinary places
www.zachicks.com
300.699.9349

CONSULTANTS

CR
architecture + design

OWNER

Kroger

DATE: 03/10
10/28/09 90% OWNER REVIEW
11/01/09 100% BID PERMIT

DATE	REVISION

PROJECT TITLE
KROGER STORE R543

1050 W. Mercury Blvd.
Hampton, VA 23666

COMMISSION NO. 518344
SHEET DATE 11/01/18
SHEET TITLE
WALL SECTIONS + DETAILS

SHEET NO.
A3.1.7

Order Plans @

WWW.LDILINE.COM

THIS DOCUMENT, INCLUDING ALL DRAWINGS, SPECIFICATIONS, AND NOTES, IS THE PROPERTY OF ZACHICKS ARCHITECTURE, INC. IT IS TO BE USED ONLY FOR THE PROJECT AND SITE SPECIFICALLY IDENTIFIED HEREIN. NO PART OF THIS DOCUMENT IS TO BE REPRODUCED, COPIED, OR TRANSMITTED IN ANY FORM OR BY ANY MEANS, WITHOUT THE WRITTEN PERMISSION OF ZACHICKS ARCHITECTURE, INC.