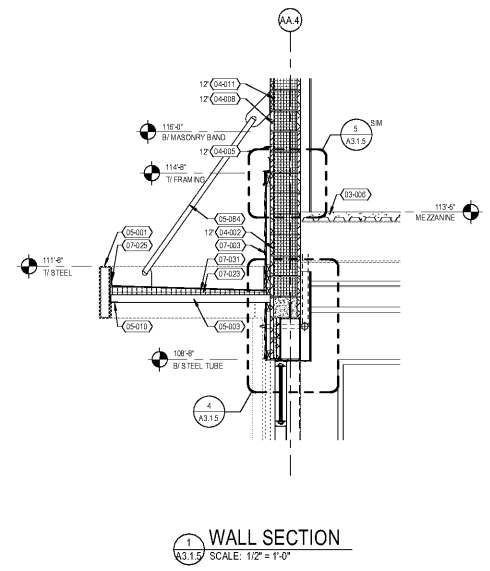
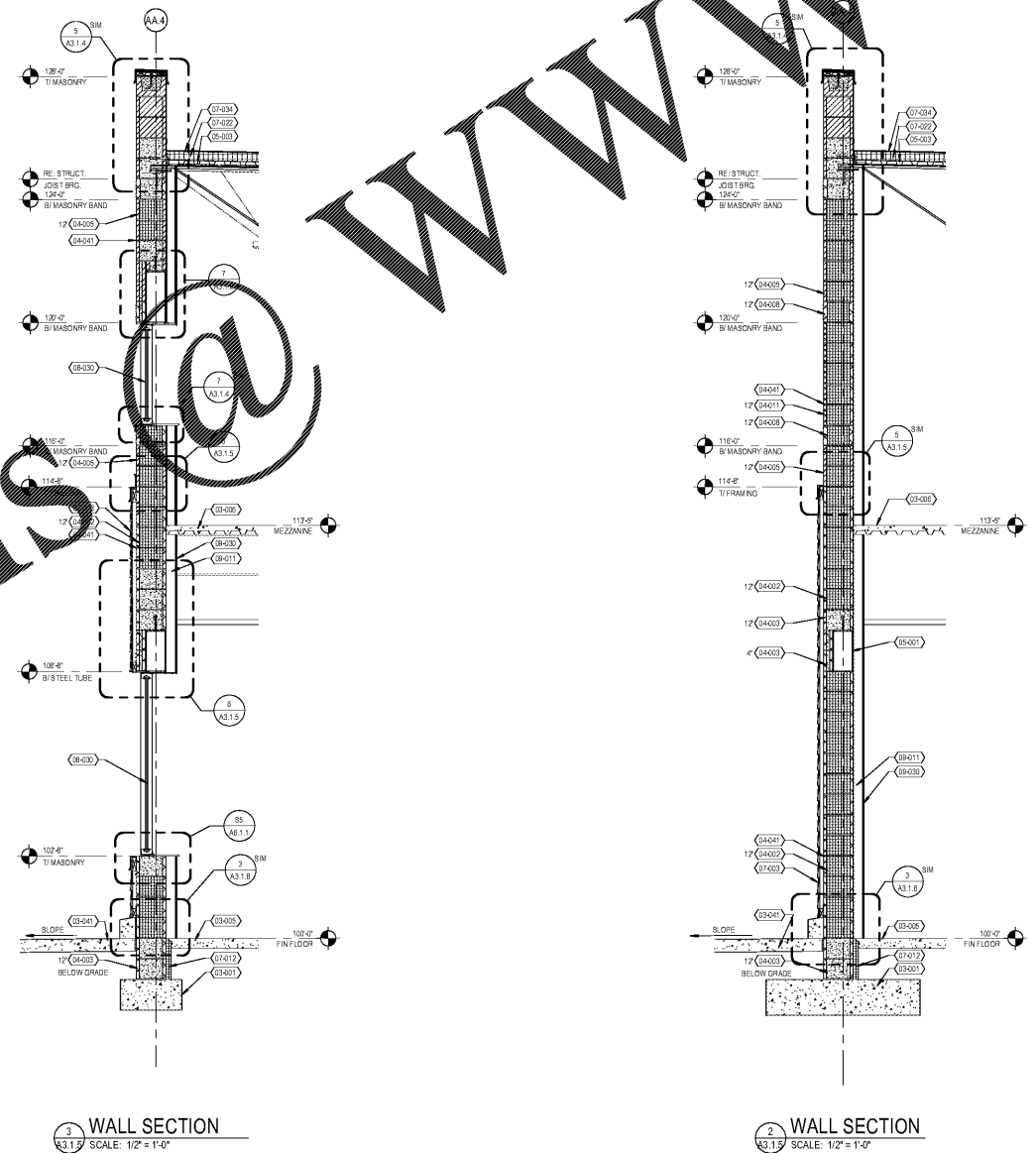
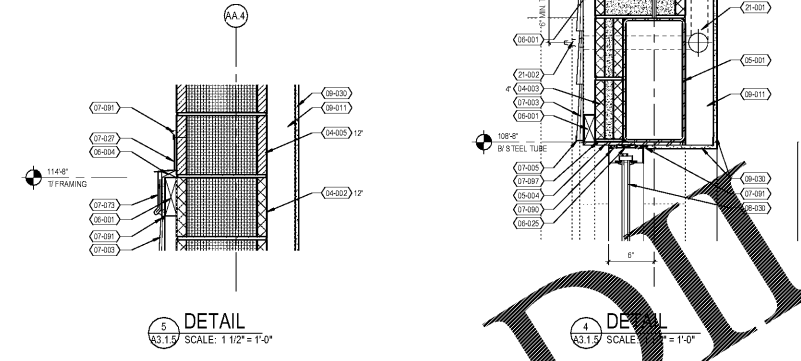
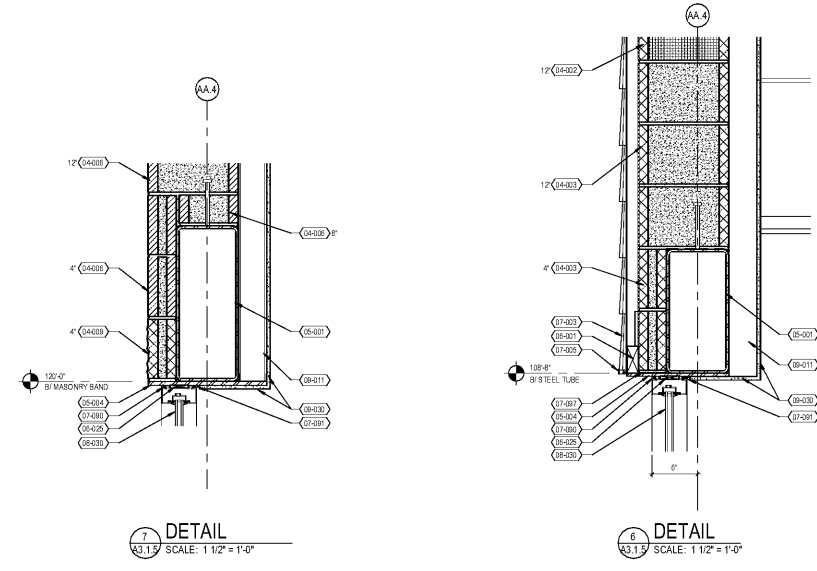


KEYNOTES

- 03401 CONCRETE FOOTING RE: STRUCTURAL DRAWINGS
- 03405 CONCRETE SLAB RE: STRUCTURAL DRAWINGS
- 03406 CONCRETE SLAB ON METAL DECK RE: STRUCTURAL DRAWINGS
- 03441 CONCRETE SLAB REFER TO A1.2 FOR ADDITIONAL INFORMATION
- 04002 INSULATED STANDARD CMU - SIZE AS INDICATED
- 04003 STANDARD CMU, GROUT CORE SOLID - SIZE AS INDICATED
- 04005 INSULATED DECORATIVE CONCRETE BRICK UNIT MASONRY - SIZE AS INDICATED
- 04006 DECORATIVE CONCRETE BRICK UNIT MASONRY, GROUT CORE SOLID - SIZE AS INDICATED
- 04008 INSULATED BRIT FACE CMU - SIZE AS INDICATED
- 04009 BRIT FACE CMU GROUT CORE SOLID - SIZE AS INDICATED
- 04011 INSULATED DECORATIVE CONCRETE BLOCK, GROUND FACE - SIZE AS INDICATED
- 04041 HORIZONTAL JOINT REINFORCING AT 16 INCHES O. C. VERT.
- 05401 STRUCTURAL STEEL FRAMING RE: STRUCTURAL DRAWINGS
- 05403 METAL DECK RE: STRUCTURAL DRAWINGS
- 05404 STEEL PLATE RE: STRUCTURAL DRAWINGS
- 05410 STEEL ANGLE RE: STRUCTURAL DRAWINGS
- 05484 STEEL ROD WITH CLEWS EACH END, PT-01 RE: STRUCTURAL DRAWINGS
- 06401 2X WOOD BLOCK/ANGLE/SLIPER
- 06404 2X PRESSURE TREATED WOOD BLOCKING
- 06426 BHM
- 07403 HORIZONTAL FIBER CEMENT PANELS RE: SPECIFICATIONS FOR
- 07405 FRY REGLET CHANNEL LAP TRIM
- 07412 PERMEABLE INSULATION, 2 INCHES THICK UNLESS NOTED OTHERWISE
- 07420 RIGID INSULATION BOARD, RE: A1.4 - ROOF PLAN
- 07423 TAPERED RIGID INSULATION - MATCH FINISH THICKNESS INSULATION U.N.D. RE: A1.4 - ROOF PLAN
- 07425 MEMBRANE FLASHING
- 07427 TERMINATION BAR
- 07428 PREFINISHED REGLET AND COUNTER FLASHING
- 07431 FULLY ADHERED TERRAZZO FINISH RE: SPEC
- 07434 MECHANICALLY FASTENED MEMBRANE ROOT RE: B1.4 - ROOF
- 07435 MECHANICALLY FASTENED METAL ROOF
- 07436 METAL ROOF
- 07438 SEALANT AND BEAD
- 07439 SEALANT AND BEAD WITH REINFORCING
- 07439 TERU WALL FINISH WITH REINFORCING
- 08411 PREFINISHED STEEL DECK ON STEEL FRAMING SYSTEM AS-01
- 09411 TYPICAL STUD FRAMING A1.1 - FLOOR PLAN, A3.2 - INTERIOR WALL TYPES
- 09433 FIN WALL BRICK
- 09401 WALL BRICK FINISHING TO BE CONCEALED IN WALL BEHIND THE FIN WALL BRICK
- 09402 FIN WALL BRICK
- 09403 FIN WALL BRICK
- 09404 FIN WALL BRICK
- 09405 FIN WALL BRICK
- 09406 FIN WALL BRICK
- 09407 FIN WALL BRICK
- 09408 FIN WALL BRICK
- 09409 FIN WALL BRICK
- 09410 FIN WALL BRICK
- 09411 FIN WALL BRICK
- 09412 FIN WALL BRICK
- 09413 FIN WALL BRICK
- 09414 FIN WALL BRICK
- 09415 FIN WALL BRICK
- 09416 FIN WALL BRICK
- 09417 FIN WALL BRICK
- 09418 FIN WALL BRICK
- 09419 FIN WALL BRICK
- 09420 FIN WALL BRICK
- 09421 FIN WALL BRICK
- 09422 FIN WALL BRICK
- 09423 FIN WALL BRICK
- 09424 FIN WALL BRICK
- 09425 FIN WALL BRICK
- 09426 FIN WALL BRICK
- 09427 FIN WALL BRICK
- 09428 FIN WALL BRICK
- 09429 FIN WALL BRICK
- 09430 FIN WALL BRICK
- 09431 FIN WALL BRICK
- 09432 FIN WALL BRICK
- 09433 FIN WALL BRICK
- 09434 FIN WALL BRICK
- 09435 FIN WALL BRICK
- 09436 FIN WALL BRICK
- 09437 FIN WALL BRICK
- 09438 FIN WALL BRICK
- 09439 FIN WALL BRICK
- 09440 FIN WALL BRICK
- 09441 FIN WALL BRICK
- 09442 FIN WALL BRICK
- 09443 FIN WALL BRICK
- 09444 FIN WALL BRICK
- 09445 FIN WALL BRICK
- 09446 FIN WALL BRICK
- 09447 FIN WALL BRICK
- 09448 FIN WALL BRICK
- 09449 FIN WALL BRICK
- 09450 FIN WALL BRICK



EXECUTED BY: JA  
REVIEWED BY: AP

CINCINNATI: 800 W. BIRNBAUM BLVD. SUITE 200 CINCINNATI, OH 45202  
DENVER: 1975 BROADWAY SUITE 100 DENVER, CO 80202  
DALLAS: 10000 W. LAKELAND BLVD. SUITE 100 DALLAS, TX 75243  
SEATTLE: 900 2nd Avenue Suite 2000 Seattle, WA 98104

architecture + design

creating extraordinary places  
www.zrchitects.com  
303.499.4949

CONSULTANTS

OWNER

DATE: 08/18  
19/08/18 90% OWNER REVIEW  
11/01/18 100% BID PERMIT

DATE	REVISION

PROJECT TITLE  
KROGER STORE  
R543

1050 W. Mercury Blvd.  
Hampton, VA 23066

COMMISSION NO: 518344  
ISSUE DATE: 11/01/18  
SHEET TITLE: WALL SECTIONS + DETAILS

SHEET NO: A3.1.5

Order Plans @ www.LDilLine.com

WWW.LDILLINE.COM

THIS DOCUMENT IS THE PROPERTY OF ZRCHITECTS AND SHOULD NOT BE REPRODUCED OR TRANSMITTED IN ANY FORM OR BY ANY MEANS, ELECTRONIC OR MECHANICAL, INCLUDING PHOTOCOPYING, RECORDING, OR BY ANY INFORMATION STORAGE AND RETRIEVAL SYSTEM. WITHOUT THE WRITTEN PERMISSION OF ZRCHITECTS, INC.