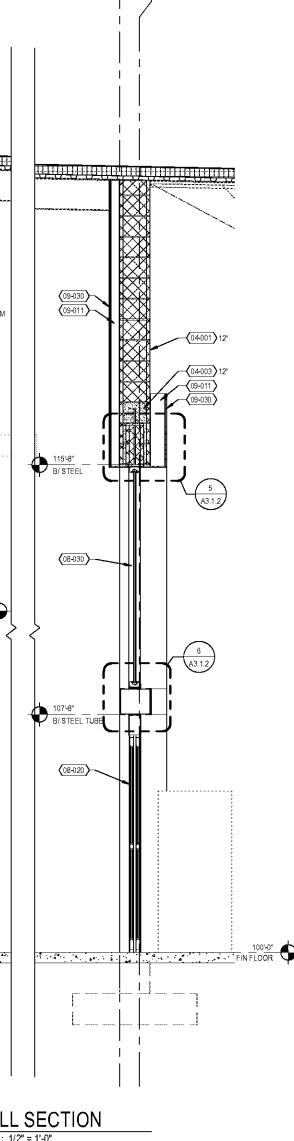
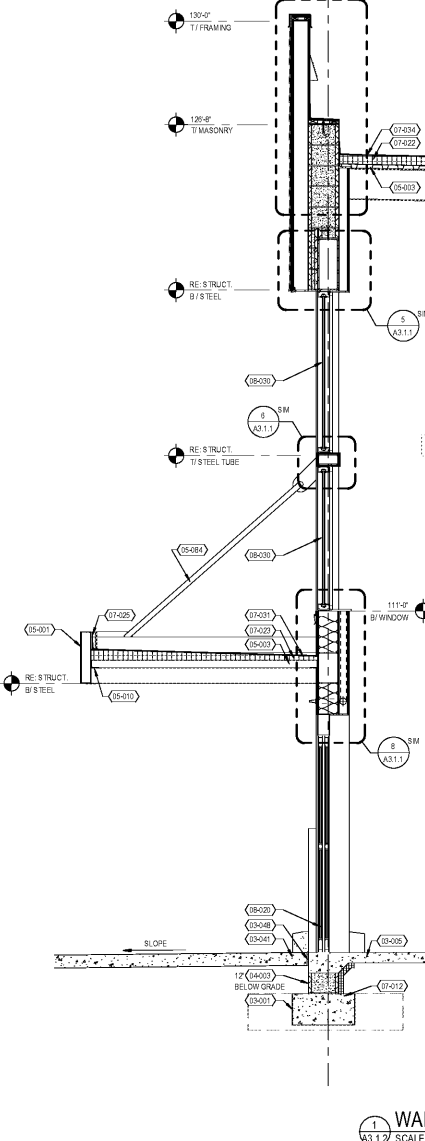
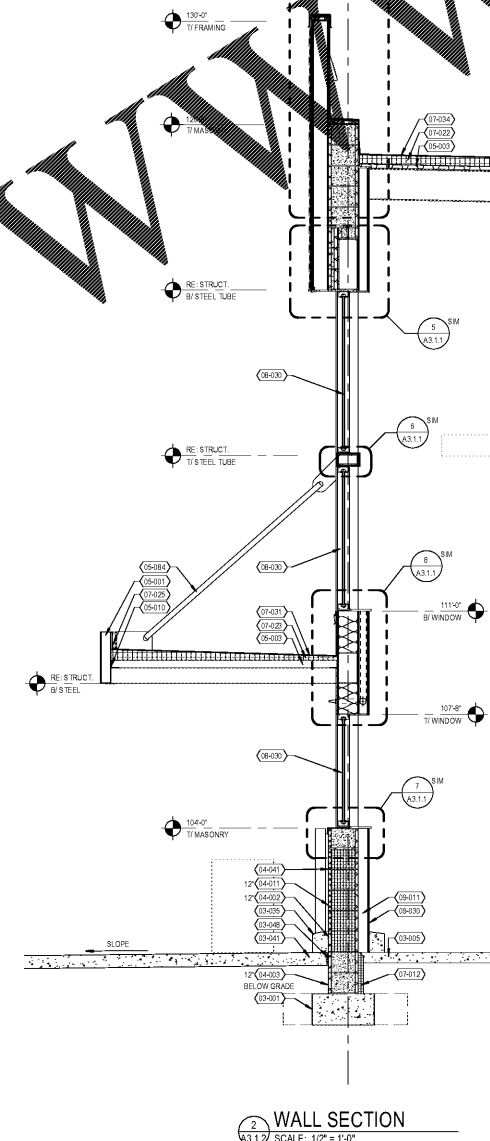
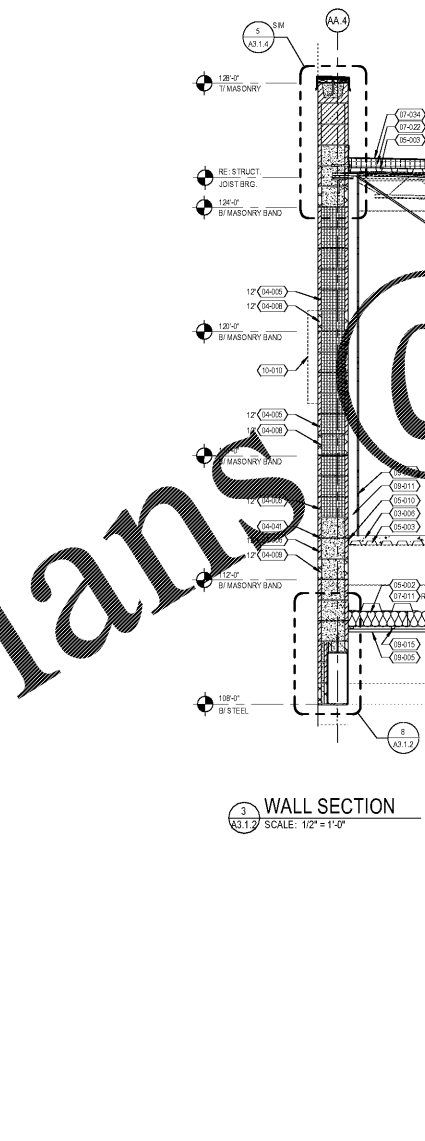
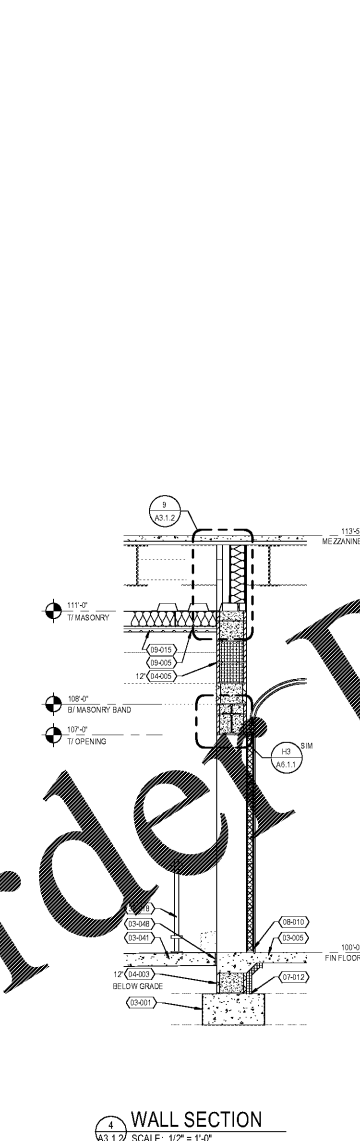
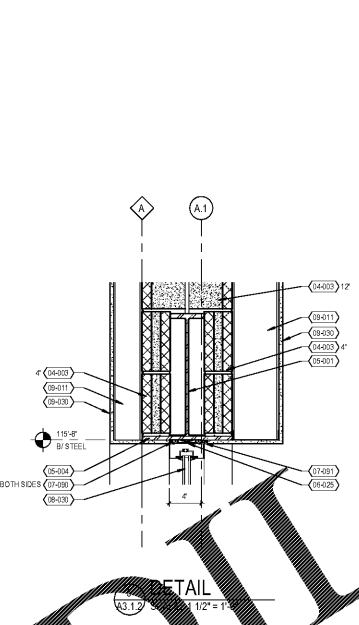
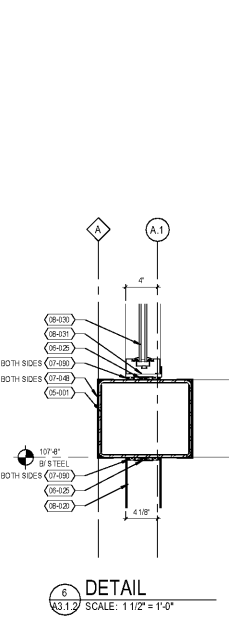
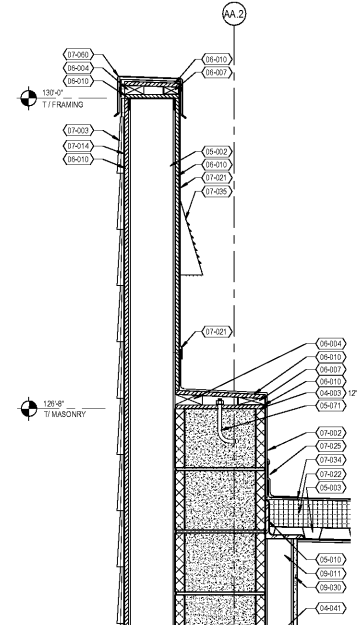
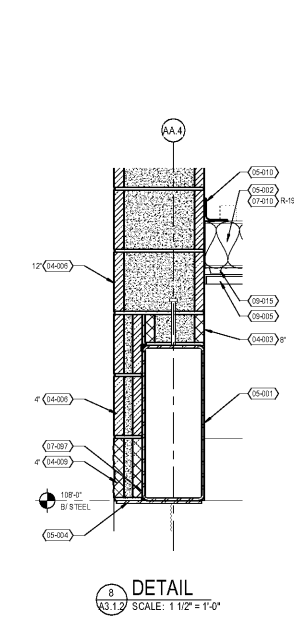
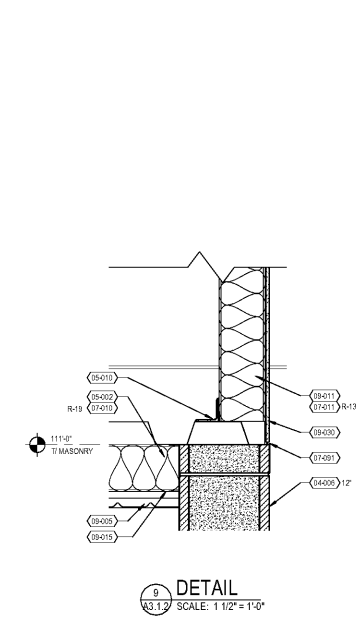


KEYNOTES

- 03-001 CONCRETE FOOTING. RE: STRUCTURAL DRAWINGS
- 03-005 CONCRETE SLAB. RE: STRUCTURAL DRAWINGS
- 03-008 CONCRETE SLAB ON METAL DECK. RE: STRUCTURAL DRAWINGS
- 03-035 CONCRETE CURB. RE: AS-2-04 OR AS-2-04A. FLARE CURB AROUND HUB DRAIN EDGE AS REQUIRED TO PROVIDE A MIN. OF 2" CONCRETE AT BACKDROP AREAS.
- 03-041 CONCRETE SLAB. REFER TO A.1.2 FOR ADDITIONAL INFORMATION
- 03-048 1/2" EXPANSION MATERIAL
- 04-001 5" STANDARD CMU. SIZE AS INDICATED
- 04-002 INSULATED STANDARD CMU. SIZE AS INDICATED
- 04-003 5" STANDARD CMU GROUT CORE SOLID. SIZE AS INDICATED
- 04-005 INSULATED DECORATIVE CONCRETE BRICK/LANT MASONRY. SIZE AS INDICATED
- 04-009 DECORATIVE CONCRETE BRICK/LANT MASONRY GROUT CORE SOLID. SIZE AS INDICATED
- 04-008 INSULATED SIX (6) FACE CMU. SIZE AS INDICATED
- 04-009 SPLIT FACE CMU GROUT CORE SOLID. SIZE AS INDICATED
- 04-011 INSULATED DECORATIVE CONCRETE BLOCK, GROUT FACE. SIZE AS INDICATED
- 04-041 HORIZONTAL JOINT REINFORCING AT 18" ON CENTER D.C. VERT.
- 05-001 STRUCTURAL STEEL FRAMING. RE: STRUCTURAL DRAWINGS
- 05-002 COLD FORMED METAL FRAMING. RE: STRUCTURAL DRAWINGS
- 05-003 METAL DECK. RE: STRUCTURAL DRAWINGS
- 05-004 STEEL PLATE. RE: STRUCTURAL DRAWINGS
- 05-010 STEEL ANGLE. RE: STRUCTURAL DRAWINGS
- 05-011 1/2" DIAMETER ANCHOR BOLT WITH 9" EMBEDMENT AT 48" O.C.
- 05-084 STEEL ROD WITH CLIPS BACK END 1" O.C. RE: STRUCTURAL DRAWINGS
- 05-004 2X PRESSURE TREATED WOOD BLOCKING
- 05-007 1X PRESSURE TREATED WOOD BLOCKING
- 05-010 2" X WOOD SCHED. 12" THICK U.D.
- 05-025 5/8"
- 07-002 COLD FLUID APPLIED WATERPROOFING
- 07-003 HORIZONTAL FIBER CEMENT PANELS. RE: SPECIFICATIONS F-C-1
- 07-010 FIBERGLASS BATT INSULATION
- 07-011 FOIL FACED FIBERGLASS BATT INSULATION. VALUE AS INDICATED
- 07-012 FIBERGLASS INSULATION. VALUE AS INDICATED
- 07-014 AIR INFLTRATION BARRIER AT EXTERIOR FACE OF EXTERIOR WALL
- 07-021 ROOF DRAINAGE OR DRAINAGE FLASHING - EXPAND OVER ROOF PARAPET
- 07-022 1/2" X 1/2" WOOD SCHED. 12" THICK U.D. AND ANCHORS - 2X O.C. ALONG FIBER CEMENT PARAPET
- 07-023 1/2" X 1/2" WOOD SCHED. 12" THICK U.D.
- 07-025 UNPERFORATED INSULATION. THICKNESS OF ROOF INSULATION
- 07-026 PERFORATED INSULATION. THICKNESS OF ROOF INSULATION
- 07-031 ADHERED TO EXTERIOR ROOF. RE: SPECS
- 07-034 MECHANICALLY FASTENED TO ROOF MEMBRANE. RE: SPECS. AT 4" ROOF PLAN
- 07-035 1/2" X 1/2" WOOD SCHED. 12" THICK U.D.
- 07-036 PREFINISHED GALV-COATED METAL WALL VENT, 1/4" WIDE AND 1" TALL W/ LAMINATE - PROVIDE VENT AT EVERY 8" O.C. ALONG FIBER CEMENT PARAPET
- 07-037 BRAKE METAL COVER TO MATCH FRAME COLOR. SET IN SEALANT W/ NO EXPOSED FIBER CEMENT
- 07-038 1/4" X 1/2" WOOD SCHED. 12" THICK U.D.
- 07-039 PREFINISHED METAL COPING, MC-01 U.D.
- 07-041 SEALANT
- 07-047 3/8" WALL FLASHING W/ WEEP HOLES. RE: SPECS
- 08-010 OVERHEAD SECTIONAL DOOR AND GUIDE, 17'4" U.D.
- 08-020 PREFINISHED ALUMINUM AUTOMATIC ENTRANCE DOOR SYSTEM, AE-01
- 08-030 PREFINISHED ALUMINUM STOREFRONT FRAMING SYSTEM, AS-01
- 08-021 ALUMINUM SUBELL AND 5/8"
- 08-005 VINYL SOFT-T CEILING
- 09-011 METAL STUD FRAMING. RE: A1.1-FLOOR PLAN, A3.2-INTERIOR WALL TYPES PLAN, & A3.1-INTERIOR WALL TYPES FOR ADDITIONAL INFORMATION
- 09-015 18" X 1" CHANNELS AT 16" ON CENTER D.C.
- 09-030 CYPRESS WALL BOARD
- 10-010 BUILDING SIGNAGE. SHOWN FOR REFERENCE ONLY. TO BE PERMITTED SEPARATELY.
- 32-018 ENTRANCE DOOR ROLLER POST. GE-07. RE: ASD-20



EXECUTED BY: JA  
REVIEWED BY: JF

CINCINNATI: 600 W. 8TH ST., 2ND FL., P.O. BOX 1000  
DENVER: 975 BROADWAY, 10TH FL., P.O. BOX 1000  
DALLAS: 1100 N. GILLESPIE ST., 2ND FL., P.O. BOX 1000  
SEATTLE: 900 2ND AVENUE, 2ND FL., P.O. BOX 1000

architecture + design

creating extraordinary places  
www.zachry.com  
303.499.4949

CONSULTANTS

OWNER

DATE: 03/09  
11/20/09 95% OWNER REVIEW  
11/01/09 100% BID PERMIT

DATE	REVISION

PROJECT TITLE  
**KROGER STORE  
R543**

1050 W. Mercury Blvd.  
Hampton, VA 23066

COMMISSION NO: 518344  
SHEET DATE: 11/01/18  
SHEET TITLE: WALL SECTIONS + DETAILS

SHEET NO: **A3.1.2**

Order Plans @

WWW.LDILLING.COM