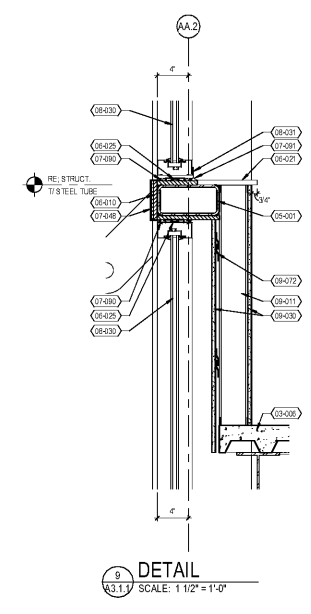
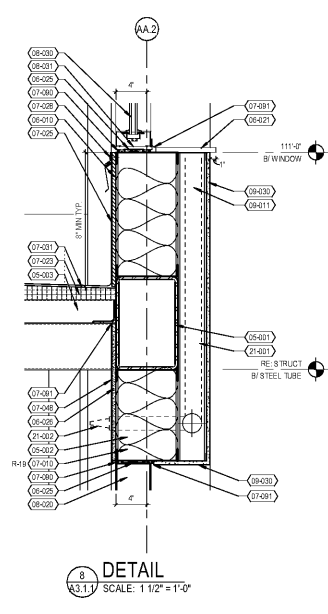


KEYNOTES

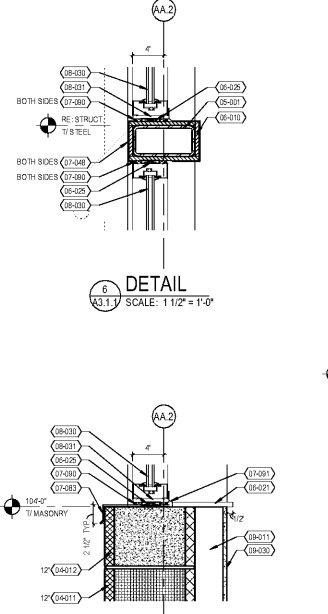
- 03401 CONCRETE FOOTING, RE: STRUCTURAL DRAWINGS
- 03405 CONCRETE SLAB, RE: STRUCTURAL DRAWINGS
- 03406 CONCRETE SLAB ON METAL DECK, RE: STRUCTURAL DRAWINGS
- 03405 CONCRETE CURB, RE: ASD-44 OR ASD-4A, FLARE CURB AROUND HUB DRAIN EDGE AS REQUIRED TO PROVIDE A MIN. OF 2" CONCRETE AT BACKDROP AREAS
- 03441 CONCRETE SLAB, REFER TO A1.2 FOR ADDITIONAL INFORMATION
- 03448 1/2" EXPANSION MATERIAL
- 04003 8" SHARPOVAL GROUT CONE SOLID - SIZE AS INDICATED
- 04111 INSULATED DECORATIVE CONCRETE BLOCK, GROUND FACE - SIZE AS INDICATED
- 04112 DECORATIVE CONCRETE BLOCK, GROUND FACE, GROUT CONE SOLID - SIZE AS INDICATED
- 05001 STRUCTURAL STEEL FRAMING, RE: STRUCTURAL DRAWINGS
- 05002 COLD FORMED METAL FRAMING, RE: STRUCTURAL DRAWINGS
- 05003 METAL DECK, RE: STRUCTURAL DRAWINGS
- 05004 STEEL PLATE, RE: STRUCTURAL DRAWINGS
- 05010 8" STEEL ANGLE, RE: STRUCTURAL DRAWINGS
- 05011 1/2" DIAMETER AND FOR BOLT WITH 1/2" EMBEDMENT AT 4# D.C.
- 05084 STEEL WOOD WITH GROUT SACHING, 17'07", RE: STRUCTURAL DRAWINGS
- 06004 2X PRESSURE TREATED WOOD BLOCKING
- 06007 1X PRESSURE TREATED WOOD BLOCKING
- 06010 PLYWOOD SHEATHING, 1/2" THICK U.N.D.
- 06021 SOLID SURFACE WINDOW S'COOL - SEAL AT WINDOW FRAME
- 06025 SHIM
- 06408 GUM ARABIC WATER RESISTANT EXTERIOR SHEATHING BOARD, 1/2" THICK U.N.D.
- 07002 COLD FLUID-APPLIED WATERPROOFING
- 07003 HORIZONTAL FIBER CEMENT PANELS, RE: SPECIFICATIONS F-01
- 07004 FIBR REGLT CUBIC CONCRETE TRANSITION
- 07010 FIBREGLASS INSULATION
- 07012 PERMETER INSULATION, 2 INCHES THICK UNLESS NOTED OTHERWISE
- 07014 AIR REL. VENTILATION BARRIER AT EXTERIOR FACE OF SHEATHING
- 07021 ROOF MEMBRANE ON MEMBRANE FLASHING, EXTEND OVER TOP OF PARAPET TO WALL SECTIONS AND ASD-44, ASD-4A, REFER TO SPECIFICATIONS FOR ADDITIONAL INFORMATION
- 07022 RIGID INSULATION BOARD, RE: A1.4-10-1 PLAN
- 07023 TAPERED RIGID INSULATION - MATCH MINIMUM THICKNESS OF ROOF INSULATION U.N.D. RE: A1.4-ROOF PLAN
- 07025 MEMBRANE FLASHING
- 07026 PREFINISHED FIBRE CEMENT TRANSITION
- 07031 FULLY ADHESIVE MEMBRANE, RE: A1.4-ROOF PLAN, ASD-44, & 07034 MEMBRANE FASTENERS
- 07034 MEMBRANE FASTENERS
- 07035 PREFINISHED COATED METAL VENT, 1/4" WIDE AND 1/2" TALL W/ FLASHING SKIRT - PROVIDE 1/2" VENT TO MATCH 1/2" CEMENT TRANSITION
- 07036 FLASHING METALS TO MATCH FLASHING COLOR, SET IN SEALANT W/ NO EXPOSED INTERFERENCE
- 07060 1" NIBBED MEMBRANE FLASHING U.N.D.
- 07062 1" NIBBED MEMBRANE FLASHING SET IN SEALANT, COLOR TO MATCH STOREFRONT
- 07063 1" NIBBED MEMBRANE FLASHING SET IN SEALANT, COLOR TO MATCH STOREFRONT
- 07064 1" NIBBED MEMBRANE FLASHING SET IN SEALANT, COLOR TO MATCH STOREFRONT
- 07065 1" NIBBED MEMBRANE FLASHING SET IN SEALANT, COLOR TO MATCH STOREFRONT
- 07066 1" NIBBED MEMBRANE FLASHING SET IN SEALANT, COLOR TO MATCH STOREFRONT
- 07067 1" NIBBED MEMBRANE FLASHING SET IN SEALANT, COLOR TO MATCH STOREFRONT
- 07068 1" NIBBED MEMBRANE FLASHING SET IN SEALANT, COLOR TO MATCH STOREFRONT
- 07069 1" NIBBED MEMBRANE FLASHING SET IN SEALANT, COLOR TO MATCH STOREFRONT
- 07070 1" NIBBED MEMBRANE FLASHING SET IN SEALANT, COLOR TO MATCH STOREFRONT
- 07071 1" NIBBED MEMBRANE FLASHING SET IN SEALANT, COLOR TO MATCH STOREFRONT
- 07072 1" NIBBED MEMBRANE FLASHING SET IN SEALANT, COLOR TO MATCH STOREFRONT
- 07073 1" NIBBED MEMBRANE FLASHING SET IN SEALANT, COLOR TO MATCH STOREFRONT
- 07074 1" NIBBED MEMBRANE FLASHING SET IN SEALANT, COLOR TO MATCH STOREFRONT
- 07075 1" NIBBED MEMBRANE FLASHING SET IN SEALANT, COLOR TO MATCH STOREFRONT
- 07076 1" NIBBED MEMBRANE FLASHING SET IN SEALANT, COLOR TO MATCH STOREFRONT
- 07077 1" NIBBED MEMBRANE FLASHING SET IN SEALANT, COLOR TO MATCH STOREFRONT
- 07078 1" NIBBED MEMBRANE FLASHING SET IN SEALANT, COLOR TO MATCH STOREFRONT
- 07079 1" NIBBED MEMBRANE FLASHING SET IN SEALANT, COLOR TO MATCH STOREFRONT
- 07080 1" NIBBED MEMBRANE FLASHING SET IN SEALANT, COLOR TO MATCH STOREFRONT
- 07081 1" NIBBED MEMBRANE FLASHING SET IN SEALANT, COLOR TO MATCH STOREFRONT
- 07082 1" NIBBED MEMBRANE FLASHING SET IN SEALANT, COLOR TO MATCH STOREFRONT
- 07083 1" NIBBED MEMBRANE FLASHING SET IN SEALANT, COLOR TO MATCH STOREFRONT
- 07084 1" NIBBED MEMBRANE FLASHING SET IN SEALANT, COLOR TO MATCH STOREFRONT
- 07085 1" NIBBED MEMBRANE FLASHING SET IN SEALANT, COLOR TO MATCH STOREFRONT
- 07086 1" NIBBED MEMBRANE FLASHING SET IN SEALANT, COLOR TO MATCH STOREFRONT
- 07087 1" NIBBED MEMBRANE FLASHING SET IN SEALANT, COLOR TO MATCH STOREFRONT
- 07088 1" NIBBED MEMBRANE FLASHING SET IN SEALANT, COLOR TO MATCH STOREFRONT
- 07089 1" NIBBED MEMBRANE FLASHING SET IN SEALANT, COLOR TO MATCH STOREFRONT
- 07090 1" NIBBED MEMBRANE FLASHING SET IN SEALANT, COLOR TO MATCH STOREFRONT
- 07091 1" NIBBED MEMBRANE FLASHING SET IN SEALANT, COLOR TO MATCH STOREFRONT
- 07092 1" NIBBED MEMBRANE FLASHING SET IN SEALANT, COLOR TO MATCH STOREFRONT
- 07093 1" NIBBED MEMBRANE FLASHING SET IN SEALANT, COLOR TO MATCH STOREFRONT
- 07094 1" NIBBED MEMBRANE FLASHING SET IN SEALANT, COLOR TO MATCH STOREFRONT
- 07095 1" NIBBED MEMBRANE FLASHING SET IN SEALANT, COLOR TO MATCH STOREFRONT
- 07096 1" NIBBED MEMBRANE FLASHING SET IN SEALANT, COLOR TO MATCH STOREFRONT
- 07097 1" NIBBED MEMBRANE FLASHING SET IN SEALANT, COLOR TO MATCH STOREFRONT
- 07098 1" NIBBED MEMBRANE FLASHING SET IN SEALANT, COLOR TO MATCH STOREFRONT
- 07099 1" NIBBED MEMBRANE FLASHING SET IN SEALANT, COLOR TO MATCH STOREFRONT
- 07100 1" NIBBED MEMBRANE FLASHING SET IN SEALANT, COLOR TO MATCH STOREFRONT
- 07101 1" NIBBED MEMBRANE FLASHING SET IN SEALANT, COLOR TO MATCH STOREFRONT
- 07102 1" NIBBED MEMBRANE FLASHING SET IN SEALANT, COLOR TO MATCH STOREFRONT
- 07103 1" NIBBED MEMBRANE FLASHING SET IN SEALANT, COLOR TO MATCH STOREFRONT
- 07104 1" NIBBED MEMBRANE FLASHING SET IN SEALANT, COLOR TO MATCH STOREFRONT
- 07105 1" NIBBED MEMBRANE FLASHING SET IN SEALANT, COLOR TO MATCH STOREFRONT
- 07106 1" NIBBED MEMBRANE FLASHING SET IN SEALANT, COLOR TO MATCH STOREFRONT
- 07107 1" NIBBED MEMBRANE FLASHING SET IN SEALANT, COLOR TO MATCH STOREFRONT
- 07108 1" NIBBED MEMBRANE FLASHING SET IN SEALANT, COLOR TO MATCH STOREFRONT
- 07109 1" NIBBED MEMBRANE FLASHING SET IN SEALANT, COLOR TO MATCH STOREFRONT
- 07110 1" NIBBED MEMBRANE FLASHING SET IN SEALANT, COLOR TO MATCH STOREFRONT
- 07111 1" NIBBED MEMBRANE FLASHING SET IN SEALANT, COLOR TO MATCH STOREFRONT
- 07112 1" NIBBED MEMBRANE FLASHING SET IN SEALANT, COLOR TO MATCH STOREFRONT
- 07113 1" NIBBED MEMBRANE FLASHING SET IN SEALANT, COLOR TO MATCH STOREFRONT
- 07114 1" NIBBED MEMBRANE FLASHING SET IN SEALANT, COLOR TO MATCH STOREFRONT
- 07115 1" NIBBED MEMBRANE FLASHING SET IN SEALANT, COLOR TO MATCH STOREFRONT
- 07116 1" NIBBED MEMBRANE FLASHING SET IN SEALANT, COLOR TO MATCH STOREFRONT
- 07117 1" NIBBED MEMBRANE FLASHING SET IN SEALANT, COLOR TO MATCH STOREFRONT
- 07118 1" NIBBED MEMBRANE FLASHING SET IN SEALANT, COLOR TO MATCH STOREFRONT
- 07119 1" NIBBED MEMBRANE FLASHING SET IN SEALANT, COLOR TO MATCH STOREFRONT
- 07120 1" NIBBED MEMBRANE FLASHING SET IN SEALANT, COLOR TO MATCH STOREFRONT
- 07121 1" NIBBED MEMBRANE FLASHING SET IN SEALANT, COLOR TO MATCH STOREFRONT
- 07122 1" NIBBED MEMBRANE FLASHING SET IN SEALANT, COLOR TO MATCH STOREFRONT
- 07123 1" NIBBED MEMBRANE FLASHING SET IN SEALANT, COLOR TO MATCH STOREFRONT
- 07124 1" NIBBED MEMBRANE FLASHING SET IN SEALANT, COLOR TO MATCH STOREFRONT
- 07125 1" NIBBED MEMBRANE FLASHING SET IN SEALANT, COLOR TO MATCH STOREFRONT
- 07126 1" NIBBED MEMBRANE FLASHING SET IN SEALANT, COLOR TO MATCH STOREFRONT
- 07127 1" NIBBED MEMBRANE FLASHING SET IN SEALANT, COLOR TO MATCH STOREFRONT
- 07128 1" NIBBED MEMBRANE FLASHING SET IN SEALANT, COLOR TO MATCH STOREFRONT
- 07129 1" NIBBED MEMBRANE FLASHING SET IN SEALANT, COLOR TO MATCH STOREFRONT
- 07130 1" NIBBED MEMBRANE FLASHING SET IN SEALANT, COLOR TO MATCH STOREFRONT
- 07131 1" NIBBED MEMBRANE FLASHING SET IN SEALANT, COLOR TO MATCH STOREFRONT
- 07132 1" NIBBED MEMBRANE FLASHING SET IN SEALANT, COLOR TO MATCH STOREFRONT
- 07133 1" NIBBED MEMBRANE FLASHING SET IN SEALANT, COLOR TO MATCH STOREFRONT
- 07134 1" NIBBED MEMBRANE FLASHING SET IN SEALANT, COLOR TO MATCH STOREFRONT
- 07135 1" NIBBED MEMBRANE FLASHING SET IN SEALANT, COLOR TO MATCH STOREFRONT
- 07136 1" NIBBED MEMBRANE FLASHING SET IN SEALANT, COLOR TO MATCH STOREFRONT
- 07137 1" NIBBED MEMBRANE FLASHING SET IN SEALANT, COLOR TO MATCH STOREFRONT
- 07138 1" NIBBED MEMBRANE FLASHING SET IN SEALANT, COLOR TO MATCH STOREFRONT
- 07139 1" NIBBED MEMBRANE FLASHING SET IN SEALANT, COLOR TO MATCH STOREFRONT
- 07140 1" NIBBED MEMBRANE FLASHING SET IN SEALANT, COLOR TO MATCH STOREFRONT
- 07141 1" NIBBED MEMBRANE FLASHING SET IN SEALANT, COLOR TO MATCH STOREFRONT
- 07142 1" NIBBED MEMBRANE FLASHING SET IN SEALANT, COLOR TO MATCH STOREFRONT
- 07143 1" NIBBED MEMBRANE FLASHING SET IN SEALANT, COLOR TO MATCH STOREFRONT
- 07144 1" NIBBED MEMBRANE FLASHING SET IN SEALANT, COLOR TO MATCH STOREFRONT
- 07145 1" NIBBED MEMBRANE FLASHING SET IN SEALANT, COLOR TO MATCH STOREFRONT
- 07146 1" NIBBED MEMBRANE FLASHING SET IN SEALANT, COLOR TO MATCH STOREFRONT
- 07147 1" NIBBED MEMBRANE FLASHING SET IN SEALANT, COLOR TO MATCH STOREFRONT
- 07148 1" NIBBED MEMBRANE FLASHING SET IN SEALANT, COLOR TO MATCH STOREFRONT
- 07149 1" NIBBED MEMBRANE FLASHING SET IN SEALANT, COLOR TO MATCH STOREFRONT
- 07150 1" NIBBED MEMBRANE FLASHING SET IN SEALANT, COLOR TO MATCH STOREFRONT
- 07151 1" NIBBED MEMBRANE FLASHING SET IN SEALANT, COLOR TO MATCH STOREFRONT
- 07152 1" NIBBED MEMBRANE FLASHING SET IN SEALANT, COLOR TO MATCH STOREFRONT
- 07153 1" NIBBED MEMBRANE FLASHING SET IN SEALANT, COLOR TO MATCH STOREFRONT
- 07154 1" NIBBED MEMBRANE FLASHING SET IN SEALANT, COLOR TO MATCH STOREFRONT
- 07155 1" NIBBED MEMBRANE FLASHING SET IN SEALANT, COLOR TO MATCH STOREFRONT
- 07156 1" NIBBED MEMBRANE FLASHING SET IN SEALANT, COLOR TO MATCH STOREFRONT
- 07157 1" NIBBED MEMBRANE FLASHING SET IN SEALANT, COLOR TO MATCH STOREFRONT
- 07158 1" NIBBED MEMBRANE FLASHING SET IN SEALANT, COLOR TO MATCH STOREFRONT
- 07159 1" NIBBED MEMBRANE FLASHING SET IN SEALANT, COLOR TO MATCH STOREFRONT
- 07160 1" NIBBED MEMBRANE FLASHING SET IN SEALANT, COLOR TO MATCH STOREFRONT
- 07161 1" NIBBED MEMBRANE FLASHING SET IN SEALANT, COLOR TO MATCH STOREFRONT
- 07162 1" NIBBED MEMBRANE FLASHING SET IN SEALANT, COLOR TO MATCH STOREFRONT
- 07163 1" NIBBED MEMBRANE FLASHING SET IN SEALANT, COLOR TO MATCH STOREFRONT
- 07164 1" NIBBED MEMBRANE FLASHING SET IN SEALANT, COLOR TO MATCH STOREFRONT
- 07165 1" NIBBED MEMBRANE FLASHING SET IN SEALANT, COLOR TO MATCH STOREFRONT
- 07166 1" NIBBED MEMBRANE FLASHING SET IN SEALANT, COLOR TO MATCH STOREFRONT
- 07167 1" NIBBED MEMBRANE FLASHING SET IN SEALANT, COLOR TO MATCH STOREFRONT
- 07168 1" NIBBED MEMBRANE FLASHING SET IN SEALANT, COLOR TO MATCH STOREFRONT
- 07169 1" NIBBED MEMBRANE FLASHING SET IN SEALANT, COLOR TO MATCH STOREFRONT
- 07170 1" NIBBED MEMBRANE FLASHING SET IN SEALANT, COLOR TO MATCH STOREFRONT
- 07171 1" NIBBED MEMBRANE FLASHING SET IN SEALANT, COLOR TO MATCH STOREFRONT
- 07172 1" NIBBED MEMBRANE FLASHING SET IN SEALANT, COLOR TO MATCH STOREFRONT
- 07173 1" NIBBED MEMBRANE FLASHING SET IN SEALANT, COLOR TO MATCH STOREFRONT
- 07174 1" NIBBED MEMBRANE FLASHING SET IN SEALANT, COLOR TO MATCH STOREFRONT
- 07175 1" NIBBED MEMBRANE FLASHING SET IN SEALANT, COLOR TO MATCH STOREFRONT
- 07176 1" NIBBED MEMBRANE FLASHING SET IN SEALANT, COLOR TO MATCH STOREFRONT
- 07177 1" NIBBED MEMBRANE FLASHING SET IN SEALANT, COLOR TO MATCH STOREFRONT
- 07178 1" NIBBED MEMBRANE FLASHING SET IN SEALANT, COLOR TO MATCH STOREFRONT
- 07179 1" NIBBED MEMBRANE FLASHING SET IN SEALANT, COLOR TO MATCH STOREFRONT
- 07180 1" NIBBED MEMBRANE FLASHING SET IN SEALANT, COLOR TO MATCH STOREFRONT
- 07181 1" NIBBED MEMBRANE FLASHING SET IN SEALANT, COLOR TO MATCH STOREFRONT
- 07182 1" NIBBED MEMBRANE FLASHING SET IN SEALANT, COLOR TO MATCH STOREFRONT
- 07183 1" NIBBED MEMBRANE FLASHING SET IN SEALANT, COLOR TO MATCH STOREFRONT
- 07184 1" NIBBED MEMBRANE FLASHING SET IN SEALANT, COLOR TO MATCH STOREFRONT
- 07185 1" NIBBED MEMBRANE FLASHING SET IN SEALANT, COLOR TO MATCH STOREFRONT
- 07186 1" NIBBED MEMBRANE FLASHING SET IN SEALANT, COLOR TO MATCH STOREFRONT
- 07187 1" NIBBED MEMBRANE FLASHING SET IN SEALANT, COLOR TO MATCH STOREFRONT
- 07188 1" NIBBED MEMBRANE FLASHING SET IN SEALANT, COLOR TO MATCH STOREFRONT
- 07189 1" NIBBED MEMBRANE FLASHING SET IN SEALANT, COLOR TO MATCH STOREFRONT
- 07190 1" NIBBED MEMBRANE FLASHING SET IN SEALANT, COLOR TO MATCH STOREFRONT
- 07191 1" NIBBED MEMBRANE FLASHING SET IN SEALANT, COLOR TO MATCH STOREFRONT
- 07192 1" NIBBED MEMBRANE FLASHING SET IN SEALANT, COLOR TO MATCH STOREFRONT
- 07193 1" NIBBED MEMBRANE FLASHING SET IN SEALANT, COLOR TO MATCH STOREFRONT
- 07194 1" NIBBED MEMBRANE FLASHING SET IN SEALANT, COLOR TO MATCH STOREFRONT
- 07195 1" NIBBED MEMBRANE FLASHING SET IN SEALANT, COLOR TO MATCH STOREFRONT
- 07196 1" NIBBED MEMBRANE FLASHING SET IN SEALANT, COLOR TO MATCH STOREFRONT
- 07197 1" NIBBED MEMBRANE FLASHING SET IN SEALANT, COLOR TO MATCH STOREFRONT
- 07198 1" NIBBED MEMBRANE FLASHING SET IN SEALANT, COLOR TO MATCH STOREFRONT
- 07199 1" NIBBED MEMBRANE FLASHING SET IN SEALANT, COLOR TO MATCH STOREFRONT
- 07200 1" NIBBED MEMBRANE FLASHING SET IN SEALANT, COLOR TO MATCH STOREFRONT



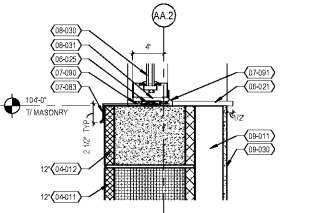
9 DETAIL
SCALE: 1 1/2" = 1'-0"



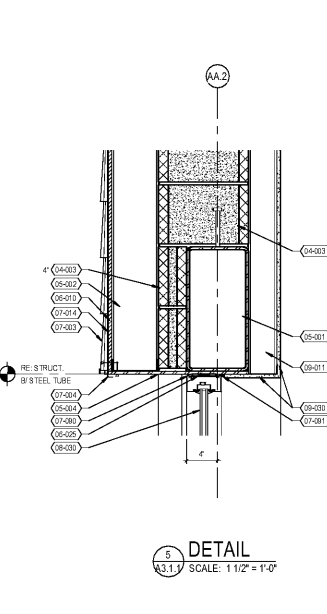
8 DETAIL
SCALE: 1 1/2" = 1'-0"



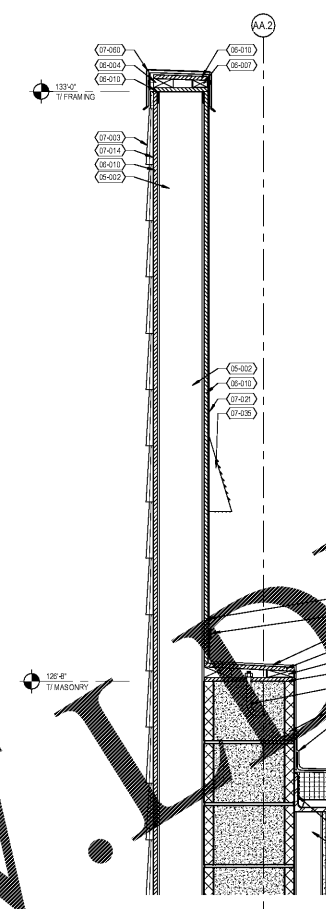
6 DETAIL
SCALE: 1 1/2" = 1'-0"



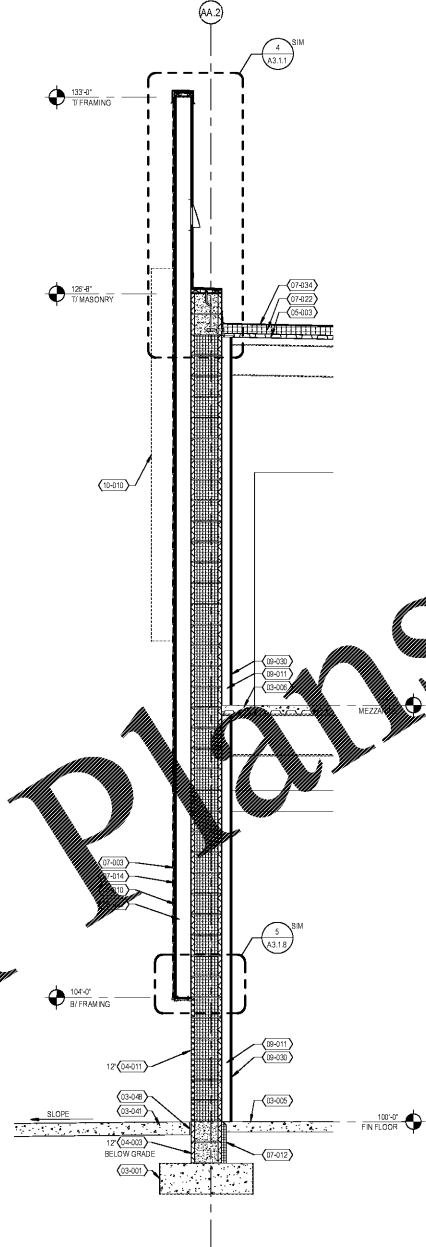
7 DETAIL
SCALE: 1 1/2" = 1'-0"



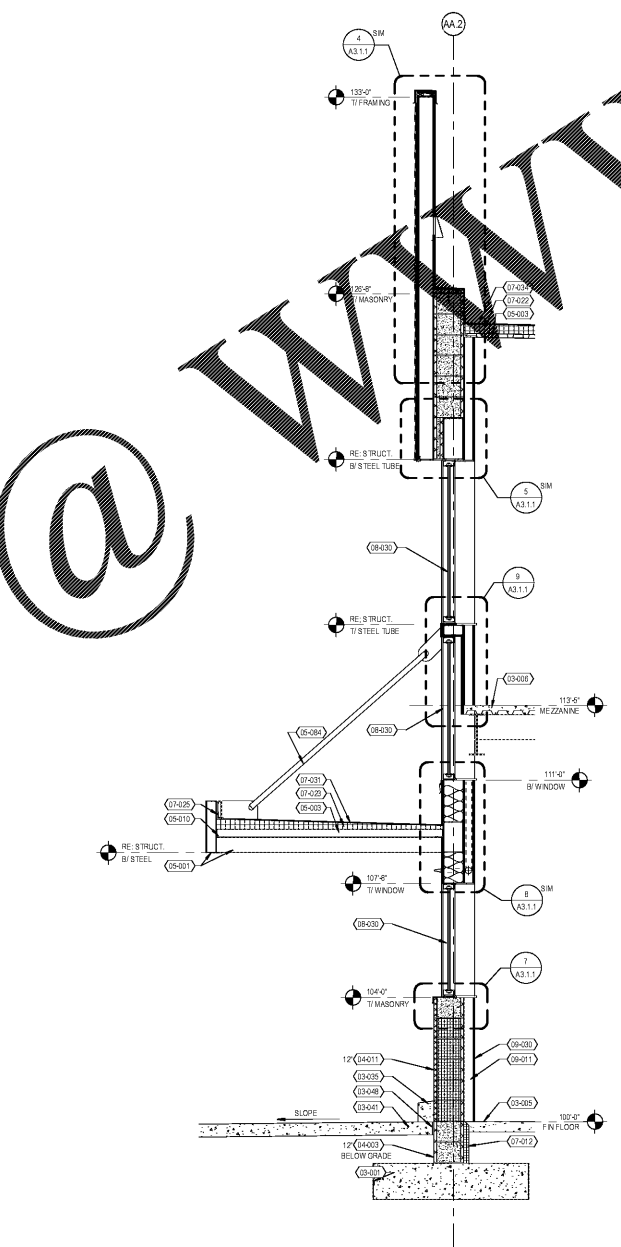
5 DETAIL
SCALE: 1 1/2" = 1'-0"



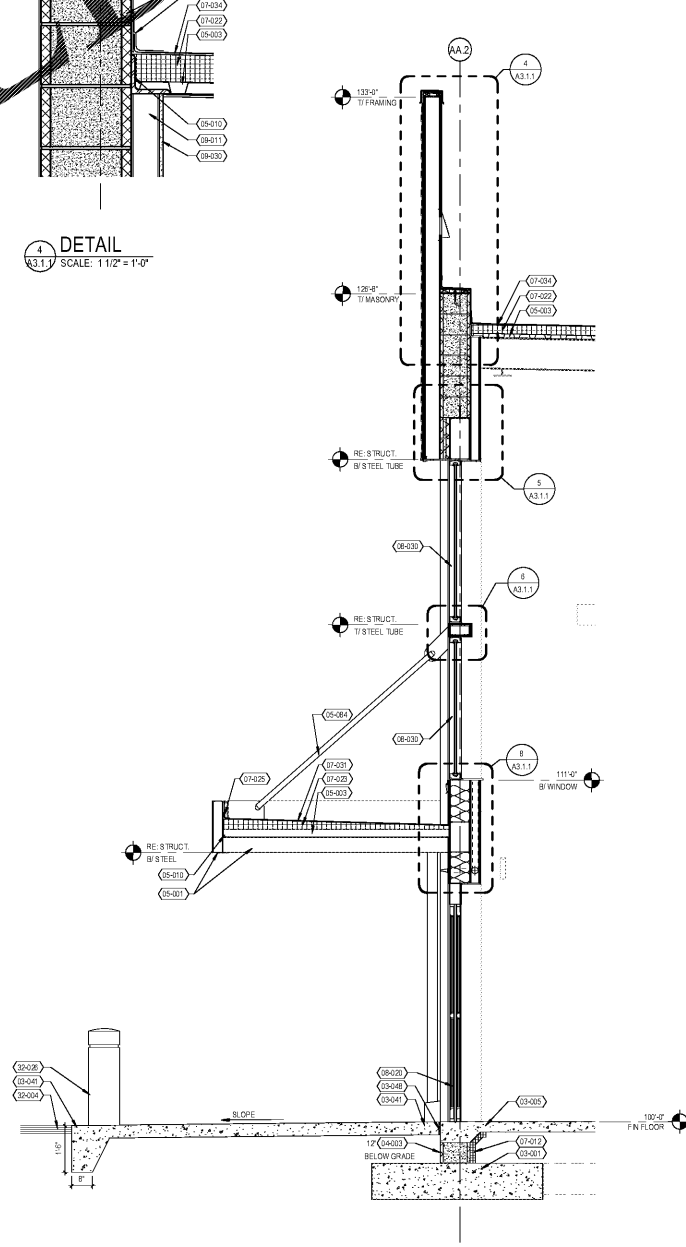
4 DETAIL
SCALE: 1 1/2" = 1'-0"



3 WALL SECTION
SCALE: 1/2" = 1'-0"



2 WALL SECTION
SCALE: 1/2" = 1'-0"



1 WALL SECTION
SCALE: 1/2" = 1'-0"

EXECUTED BY: JA
REVIEWED BY: AP

CONCERNANT: 800 West 10th Street, Suite 200, Seattle, WA 98101
DENVER: 1975 Broadway, Suite 1000, Denver, CO 80202
DALLAS: 1000 Ross Avenue, Suite 200, Dallas, TX 75203
SEATTLE: 900 2nd Avenue, Suite 2000, Seattle, WA 98104

www.zachry.com

architecture + design

creating extraordinary places
www.zachry.com
303.499.4949

CONSULTANTS

OWNER

DATE: 03/14
10/28/18 90% OWNER REVIEW
11/01/18 100% BID PERMIT

DATE	REVISION

PROJECT TITLE
KROGER STORE
R543

1050 W. Mercury Blvd.
Hampton, VA 23066

COMMISSION NO: 518344
ISSUE DATE: 11/01/18
SHEET TITLE: WALL SECTIONS + DETAILS

SHEET NO: A3.1.1

Order Plans @

WWW.ONLINE.COM

THIS DOCUMENT IS THE PROPERTY OF ZACHRY GROUP, INC. IT IS TO BE USED ONLY FOR THE PROJECT AND SITE SPECIFICALLY IDENTIFIED HEREIN. IT IS NOT TO BE REPRODUCED, COPIED, OR USED FOR ANY OTHER PROJECT WITHOUT THE WRITTEN PERMISSION OF ZACHRY GROUP, INC.