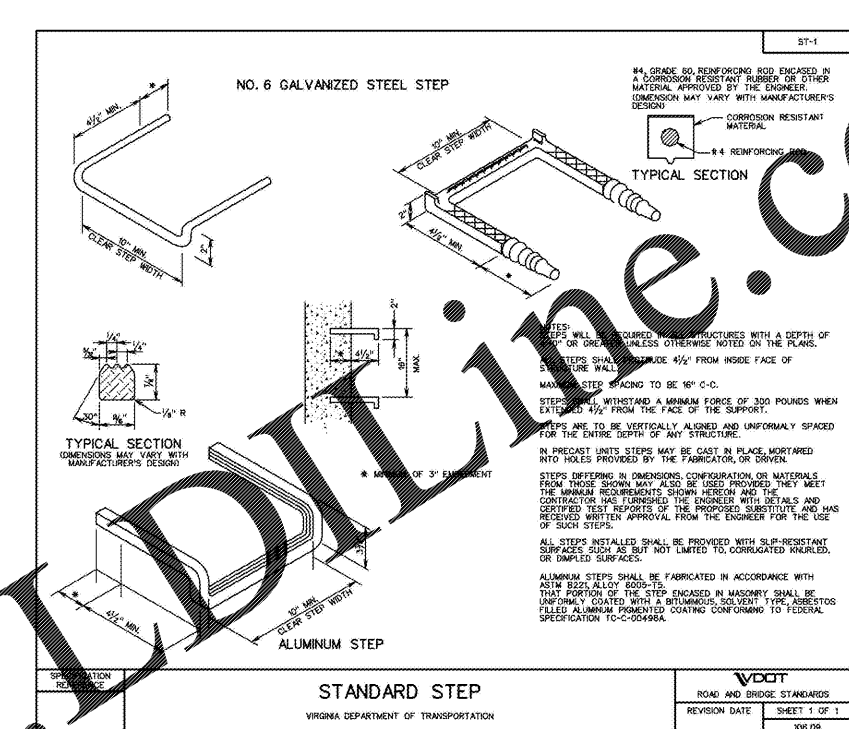
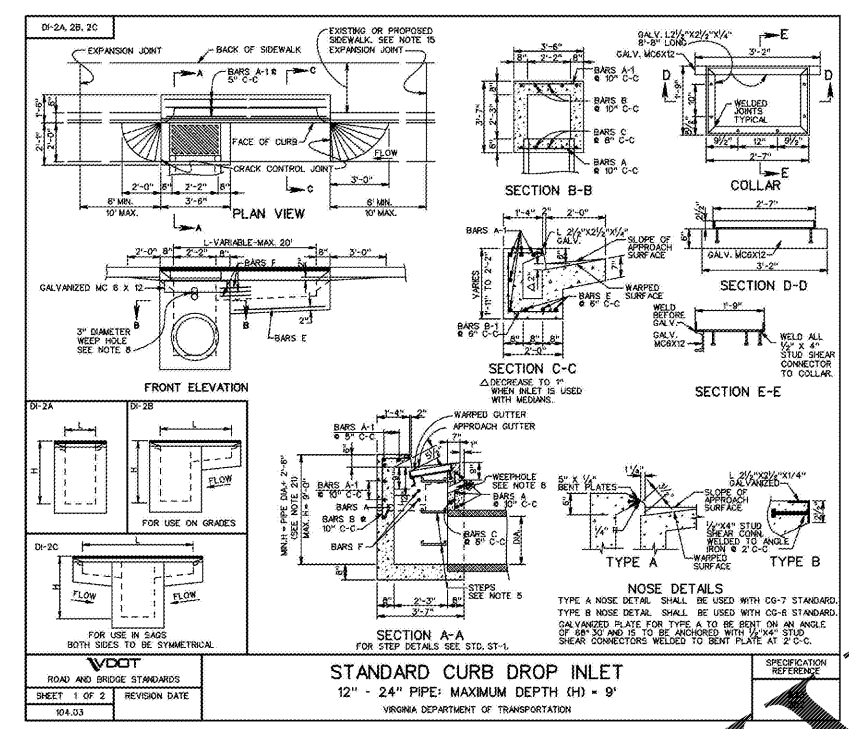
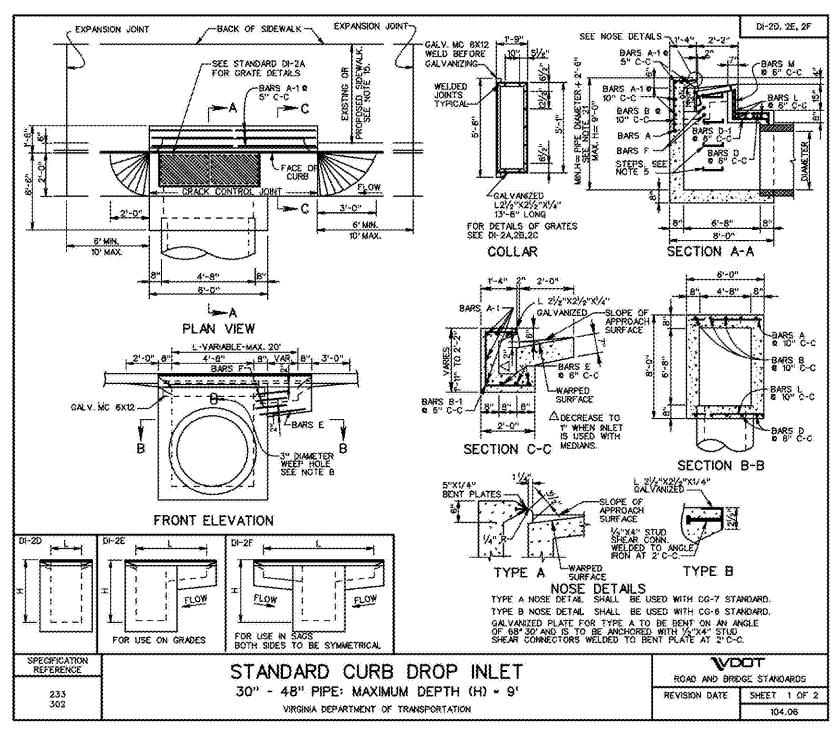


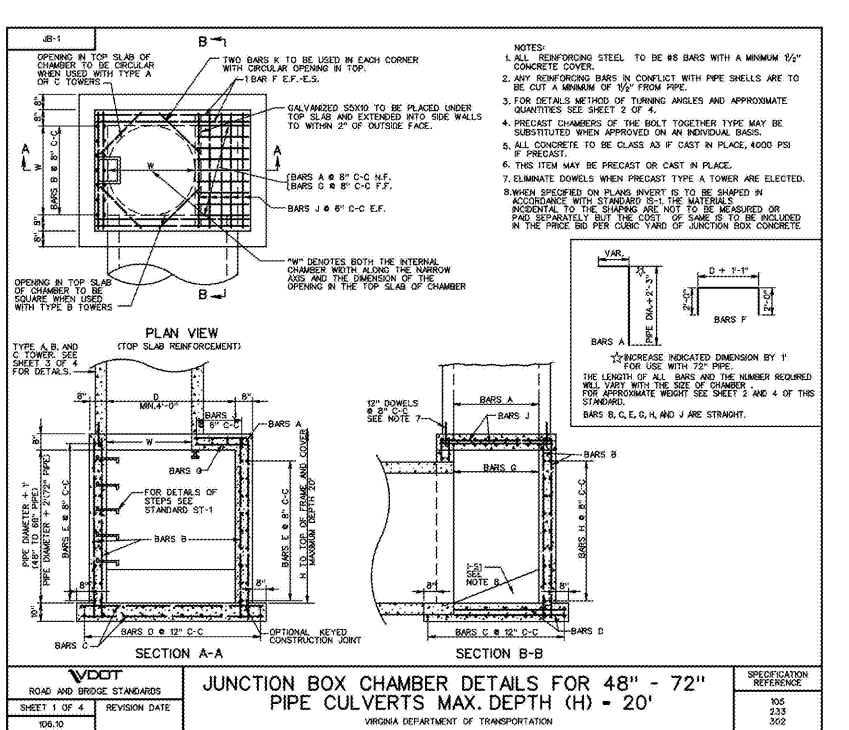
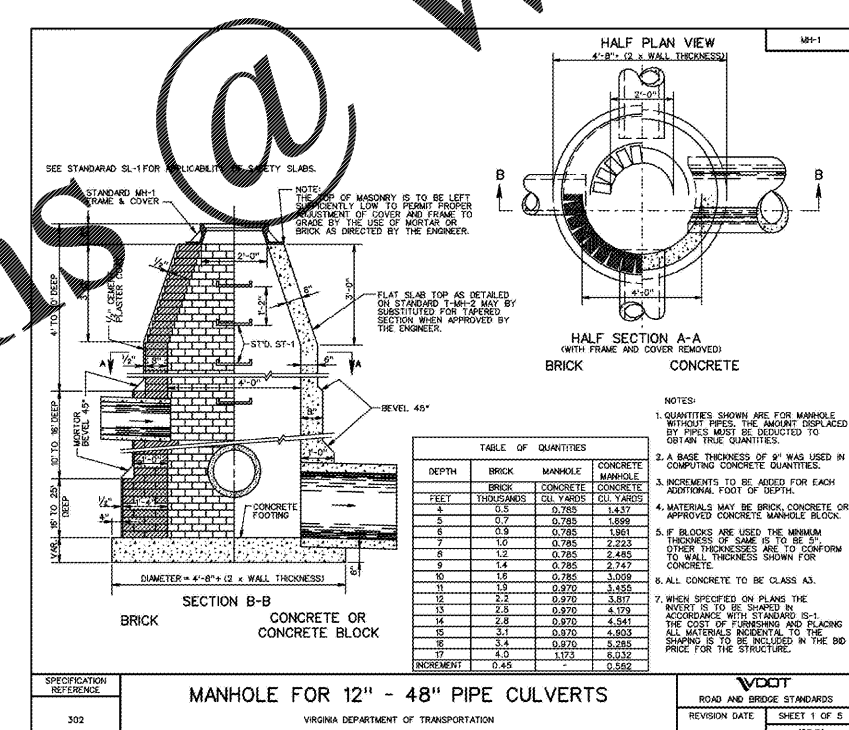
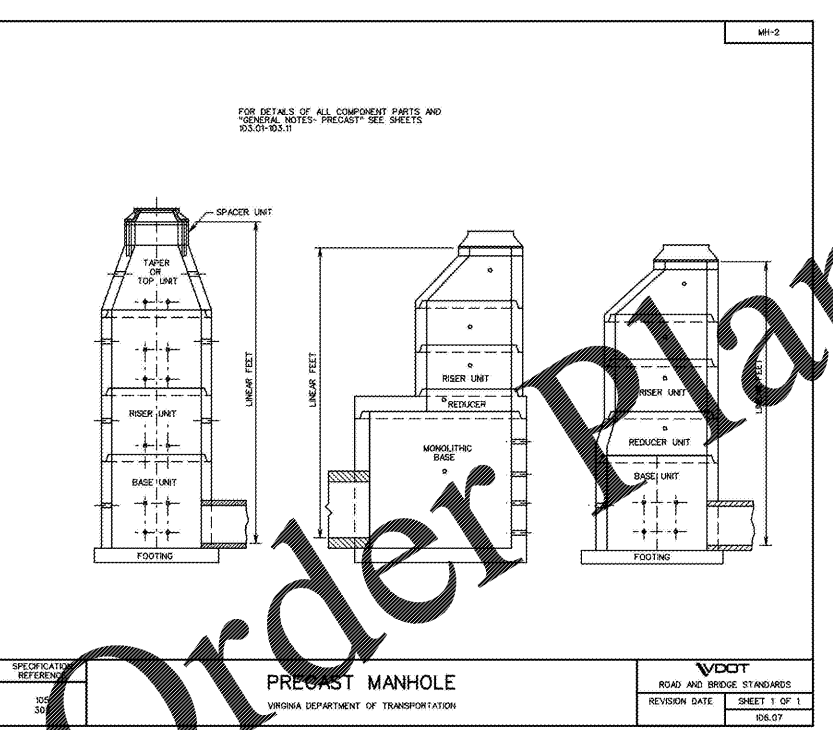
1. VDOT STANDARD DRAWING C-621 (REV. 10/11) IS SUPERSEDED BY THIS DRAWING. 2. THIS DRAWING IS THE PROPERTY OF PAULSON MITCHELL INCORPORATED. IT IS TO BE USED ONLY FOR THE PROJECT AND SITE SPECIFICALLY IDENTIFIED HEREON. IT IS NOT TO BE REPRODUCED, COPIED, OR TRANSMITTED IN ANY FORM OR BY ANY MEANS, ELECTRONIC OR MECHANICAL, INCLUDING PHOTOCOPYING, RECORDING, OR BY ANY INFORMATION STORAGE AND RETRIEVAL SYSTEM. 3. THE USER OF THIS DRAWING SHALL BE RESPONSIBLE FOR OBTAINING ALL NECESSARY PERMITS AND APPROVALS FROM THE APPROPRIATE AGENCIES. 4. THE USER OF THIS DRAWING SHALL BE RESPONSIBLE FOR OBTAINING ALL NECESSARY MATERIALS AND LABOR. 5. THE USER OF THIS DRAWING SHALL BE RESPONSIBLE FOR OBTAINING ALL NECESSARY UTILITIES INFORMATION. 6. THE USER OF THIS DRAWING SHALL BE RESPONSIBLE FOR OBTAINING ALL NECESSARY SURVEYING INFORMATION. 7. THE USER OF THIS DRAWING SHALL BE RESPONSIBLE FOR OBTAINING ALL NECESSARY GEOTECHNICAL INFORMATION. 8. THE USER OF THIS DRAWING SHALL BE RESPONSIBLE FOR OBTAINING ALL NECESSARY ENVIRONMENTAL INFORMATION. 9. THE USER OF THIS DRAWING SHALL BE RESPONSIBLE FOR OBTAINING ALL NECESSARY HISTORIC PRESERVATION INFORMATION. 10. THE USER OF THIS DRAWING SHALL BE RESPONSIBLE FOR OBTAINING ALL NECESSARY ARCHITECTURAL INFORMATION. 11. THE USER OF THIS DRAWING SHALL BE RESPONSIBLE FOR OBTAINING ALL NECESSARY LANDSCAPE ARCHITECTURE INFORMATION. 12. THE USER OF THIS DRAWING SHALL BE RESPONSIBLE FOR OBTAINING ALL NECESSARY PLANNING INFORMATION. 13. THE USER OF THIS DRAWING SHALL BE RESPONSIBLE FOR OBTAINING ALL NECESSARY ENGINEERING INFORMATION. 14. THE USER OF THIS DRAWING SHALL BE RESPONSIBLE FOR OBTAINING ALL NECESSARY PROFESSIONAL ARCHITECTURE INFORMATION. 15. THE USER OF THIS DRAWING SHALL BE RESPONSIBLE FOR OBTAINING ALL NECESSARY PROFESSIONAL ENGINEERING INFORMATION. 16. THE USER OF THIS DRAWING SHALL BE RESPONSIBLE FOR OBTAINING ALL NECESSARY PROFESSIONAL LANDSCAPE ARCHITECTURE INFORMATION. 17. THE USER OF THIS DRAWING SHALL BE RESPONSIBLE FOR OBTAINING ALL NECESSARY PROFESSIONAL PLANNING INFORMATION. 18. THE USER OF THIS DRAWING SHALL BE RESPONSIBLE FOR OBTAINING ALL NECESSARY PROFESSIONAL ENGINEERING INFORMATION. 19. THE USER OF THIS DRAWING SHALL BE RESPONSIBLE FOR OBTAINING ALL NECESSARY PROFESSIONAL ARCHITECTURE INFORMATION. 20. THE USER OF THIS DRAWING SHALL BE RESPONSIBLE FOR OBTAINING ALL NECESSARY PROFESSIONAL LANDSCAPE ARCHITECTURE INFORMATION. 21. THE USER OF THIS DRAWING SHALL BE RESPONSIBLE FOR OBTAINING ALL NECESSARY PROFESSIONAL PLANNING INFORMATION. 22. THE USER OF THIS DRAWING SHALL BE RESPONSIBLE FOR OBTAINING ALL NECESSARY PROFESSIONAL ENGINEERING INFORMATION. 23. THE USER OF THIS DRAWING SHALL BE RESPONSIBLE FOR OBTAINING ALL NECESSARY PROFESSIONAL ARCHITECTURE INFORMATION. 24. THE USER OF THIS DRAWING SHALL BE RESPONSIBLE FOR OBTAINING ALL NECESSARY PROFESSIONAL LANDSCAPE ARCHITECTURE INFORMATION. 25. THE USER OF THIS DRAWING SHALL BE RESPONSIBLE FOR OBTAINING ALL NECESSARY PROFESSIONAL PLANNING INFORMATION. 26. THE USER OF THIS DRAWING SHALL BE RESPONSIBLE FOR OBTAINING ALL NECESSARY PROFESSIONAL ENGINEERING INFORMATION. 27. THE USER OF THIS DRAWING SHALL BE RESPONSIBLE FOR OBTAINING ALL NECESSARY PROFESSIONAL ARCHITECTURE INFORMATION. 28. THE USER OF THIS DRAWING SHALL BE RESPONSIBLE FOR OBTAINING ALL NECESSARY PROFESSIONAL LANDSCAPE ARCHITECTURE INFORMATION. 29. THE USER OF THIS DRAWING SHALL BE RESPONSIBLE FOR OBTAINING ALL NECESSARY PROFESSIONAL PLANNING INFORMATION. 30. THE USER OF THIS DRAWING SHALL BE RESPONSIBLE FOR OBTAINING ALL NECESSARY PROFESSIONAL ENGINEERING INFORMATION. 31. THE USER OF THIS DRAWING SHALL BE RESPONSIBLE FOR OBTAINING ALL NECESSARY PROFESSIONAL ARCHITECTURE INFORMATION. 32. THE USER OF THIS DRAWING SHALL BE RESPONSIBLE FOR OBTAINING ALL NECESSARY PROFESSIONAL LANDSCAPE ARCHITECTURE INFORMATION. 33. THE USER OF THIS DRAWING SHALL BE RESPONSIBLE FOR OBTAINING ALL NECESSARY PROFESSIONAL PLANNING INFORMATION. 34. THE USER OF THIS DRAWING SHALL BE RESPONSIBLE FOR OBTAINING ALL NECESSARY PROFESSIONAL ENGINEERING INFORMATION. 35. THE USER OF THIS DRAWING SHALL BE RESPONSIBLE FOR OBTAINING ALL NECESSARY PROFESSIONAL ARCHITECTURE INFORMATION. 36. THE USER OF THIS DRAWING SHALL BE RESPONSIBLE FOR OBTAINING ALL NECESSARY PROFESSIONAL LANDSCAPE ARCHITECTURE INFORMATION. 37. THE USER OF THIS DRAWING SHALL BE RESPONSIBLE FOR OBTAINING ALL NECESSARY PROFESSIONAL PLANNING INFORMATION. 38. THE USER OF THIS DRAWING SHALL BE RESPONSIBLE FOR OBTAINING ALL NECESSARY PROFESSIONAL ENGINEERING INFORMATION. 39. THE USER OF THIS DRAWING SHALL BE RESPONSIBLE FOR OBTAINING ALL NECESSARY PROFESSIONAL ARCHITECTURE INFORMATION. 40. THE USER OF THIS DRAWING SHALL BE RESPONSIBLE FOR OBTAINING ALL NECESSARY PROFESSIONAL LANDSCAPE ARCHITECTURE INFORMATION. 41. THE USER OF THIS DRAWING SHALL BE RESPONSIBLE FOR OBTAINING ALL NECESSARY PROFESSIONAL PLANNING INFORMATION. 42. THE USER OF THIS DRAWING SHALL BE RESPONSIBLE FOR OBTAINING ALL NECESSARY PROFESSIONAL ENGINEERING INFORMATION. 43. THE USER OF THIS DRAWING SHALL BE RESPONSIBLE FOR OBTAINING ALL NECESSARY PROFESSIONAL ARCHITECTURE INFORMATION. 44. THE USER OF THIS DRAWING SHALL BE RESPONSIBLE FOR OBTAINING ALL NECESSARY PROFESSIONAL LANDSCAPE ARCHITECTURE INFORMATION. 45. THE USER OF THIS DRAWING SHALL BE RESPONSIBLE FOR OBTAINING ALL NECESSARY PROFESSIONAL PLANNING INFORMATION. 46. THE USER OF THIS DRAWING SHALL BE RESPONSIBLE FOR OBTAINING ALL NECESSARY PROFESSIONAL ENGINEERING INFORMATION. 47. THE USER OF THIS DRAWING SHALL BE RESPONSIBLE FOR OBTAINING ALL NECESSARY PROFESSIONAL ARCHITECTURE INFORMATION. 48. THE USER OF THIS DRAWING SHALL BE RESPONSIBLE FOR OBTAINING ALL NECESSARY PROFESSIONAL LANDSCAPE ARCHITECTURE INFORMATION. 49. THE USER OF THIS DRAWING SHALL BE RESPONSIBLE FOR OBTAINING ALL NECESSARY PROFESSIONAL PLANNING INFORMATION. 50. THE USER OF THIS DRAWING SHALL BE RESPONSIBLE FOR OBTAINING ALL NECESSARY PROFESSIONAL ENGINEERING INFORMATION. 51. THE USER OF THIS DRAWING SHALL BE RESPONSIBLE FOR OBTAINING ALL NECESSARY PROFESSIONAL ARCHITECTURE INFORMATION. 52. THE USER OF THIS DRAWING SHALL BE RESPONSIBLE FOR OBTAINING ALL NECESSARY PROFESSIONAL LANDSCAPE ARCHITECTURE INFORMATION. 53. THE USER OF THIS DRAWING SHALL BE RESPONSIBLE FOR OBTAINING ALL NECESSARY PROFESSIONAL PLANNING INFORMATION. 54. THE USER OF THIS DRAWING SHALL BE RESPONSIBLE FOR OBTAINING ALL NECESSARY PROFESSIONAL ENGINEERING INFORMATION. 55. THE USER OF THIS DRAWING SHALL BE RESPONSIBLE FOR OBTAINING ALL NECESSARY PROFESSIONAL ARCHITECTURE INFORMATION. 56. THE USER OF THIS DRAWING SHALL BE RESPONSIBLE FOR OBTAINING ALL NECESSARY PROFESSIONAL LANDSCAPE ARCHITECTURE INFORMATION. 57. THE USER OF THIS DRAWING SHALL BE RESPONSIBLE FOR OBTAINING ALL NECESSARY PROFESSIONAL PLANNING INFORMATION. 58. THE USER OF THIS DRAWING SHALL BE RESPONSIBLE FOR OBTAINING ALL NECESSARY PROFESSIONAL ENGINEERING INFORMATION. 59. THE USER OF THIS DRAWING SHALL BE RESPONSIBLE FOR OBTAINING ALL NECESSARY PROFESSIONAL ARCHITECTURE INFORMATION. 60. THE USER OF THIS DRAWING SHALL BE RESPONSIBLE FOR OBTAINING ALL NECESSARY PROFESSIONAL LANDSCAPE ARCHITECTURE INFORMATION. 61. THE USER OF THIS DRAWING SHALL BE RESPONSIBLE FOR OBTAINING ALL NECESSARY PROFESSIONAL PLANNING INFORMATION. 62. THE USER OF THIS DRAWING SHALL BE RESPONSIBLE FOR OBTAINING ALL NECESSARY PROFESSIONAL ENGINEERING INFORMATION. 63. THE USER OF THIS DRAWING SHALL BE RESPONSIBLE FOR OBTAINING ALL NECESSARY PROFESSIONAL ARCHITECTURE INFORMATION. 64. THE USER OF THIS DRAWING SHALL BE RESPONSIBLE FOR OBTAINING ALL NECESSARY PROFESSIONAL LANDSCAPE ARCHITECTURE INFORMATION. 65. THE USER OF THIS DRAWING SHALL BE RESPONSIBLE FOR OBTAINING ALL NECESSARY PROFESSIONAL PLANNING INFORMATION. 66. THE USER OF THIS DRAWING SHALL BE RESPONSIBLE FOR OBTAINING ALL NECESSARY PROFESSIONAL ENGINEERING INFORMATION. 67. THE USER OF THIS DRAWING SHALL BE RESPONSIBLE FOR OBTAINING ALL NECESSARY PROFESSIONAL ARCHITECTURE INFORMATION. 68. THE USER OF THIS DRAWING SHALL BE RESPONSIBLE FOR OBTAINING ALL NECESSARY PROFESSIONAL LANDSCAPE ARCHITECTURE INFORMATION. 69. THE USER OF THIS DRAWING SHALL BE RESPONSIBLE FOR OBTAINING ALL NECESSARY PROFESSIONAL PLANNING INFORMATION. 70. THE USER OF THIS DRAWING SHALL BE RESPONSIBLE FOR OBTAINING ALL NECESSARY PROFESSIONAL ENGINEERING INFORMATION. 71. THE USER OF THIS DRAWING SHALL BE RESPONSIBLE FOR OBTAINING ALL NECESSARY PROFESSIONAL ARCHITECTURE INFORMATION. 72. THE USER OF THIS DRAWING SHALL BE RESPONSIBLE FOR OBTAINING ALL NECESSARY PROFESSIONAL LANDSCAPE ARCHITECTURE INFORMATION. 73. THE USER OF THIS DRAWING SHALL BE RESPONSIBLE FOR OBTAINING ALL NECESSARY PROFESSIONAL PLANNING INFORMATION. 74. THE USER OF THIS DRAWING SHALL BE RESPONSIBLE FOR OBTAINING ALL NECESSARY PROFESSIONAL ENGINEERING INFORMATION. 75. THE USER OF THIS DRAWING SHALL BE RESPONSIBLE FOR OBTAINING ALL NECESSARY PROFESSIONAL ARCHITECTURE INFORMATION. 76. THE USER OF THIS DRAWING SHALL BE RESPONSIBLE FOR OBTAINING ALL NECESSARY PROFESSIONAL LANDSCAPE ARCHITECTURE INFORMATION. 77. THE USER OF THIS DRAWING SHALL BE RESPONSIBLE FOR OBTAINING ALL NECESSARY PROFESSIONAL PLANNING INFORMATION. 78. THE USER OF THIS DRAWING SHALL BE RESPONSIBLE FOR OBTAINING ALL NECESSARY PROFESSIONAL ENGINEERING INFORMATION. 79. THE USER OF THIS DRAWING SHALL BE RESPONSIBLE FOR OBTAINING ALL NECESSARY PROFESSIONAL ARCHITECTURE INFORMATION. 80. THE USER OF THIS DRAWING SHALL BE RESPONSIBLE FOR OBTAINING ALL NECESSARY PROFESSIONAL LANDSCAPE ARCHITECTURE INFORMATION. 81. THE USER OF THIS DRAWING SHALL BE RESPONSIBLE FOR OBTAINING ALL NECESSARY PROFESSIONAL PLANNING INFORMATION. 82. THE USER OF THIS DRAWING SHALL BE RESPONSIBLE FOR OBTAINING ALL NECESSARY PROFESSIONAL ENGINEERING INFORMATION. 83. THE USER OF THIS DRAWING SHALL BE RESPONSIBLE FOR OBTAINING ALL NECESSARY PROFESSIONAL ARCHITECTURE INFORMATION. 84. THE USER OF THIS DRAWING SHALL BE RESPONSIBLE FOR OBTAINING ALL NECESSARY PROFESSIONAL LANDSCAPE ARCHITECTURE INFORMATION. 85. THE USER OF THIS DRAWING SHALL BE RESPONSIBLE FOR OBTAINING ALL NECESSARY PROFESSIONAL PLANNING INFORMATION. 86. THE USER OF THIS DRAWING SHALL BE RESPONSIBLE FOR OBTAINING ALL NECESSARY PROFESSIONAL ENGINEERING INFORMATION. 87. THE USER OF THIS DRAWING SHALL BE RESPONSIBLE FOR OBTAINING ALL NECESSARY PROFESSIONAL ARCHITECTURE INFORMATION. 88. THE USER OF THIS DRAWING SHALL BE RESPONSIBLE FOR OBTAINING ALL NECESSARY PROFESSIONAL LANDSCAPE ARCHITECTURE INFORMATION. 89. THE USER OF THIS DRAWING SHALL BE RESPONSIBLE FOR OBTAINING ALL NECESSARY PROFESSIONAL PLANNING INFORMATION. 90. THE USER OF THIS DRAWING SHALL BE RESPONSIBLE FOR OBTAINING ALL NECESSARY PROFESSIONAL ENGINEERING INFORMATION. 91. THE USER OF THIS DRAWING SHALL BE RESPONSIBLE FOR OBTAINING ALL NECESSARY PROFESSIONAL ARCHITECTURE INFORMATION. 92. THE USER OF THIS DRAWING SHALL BE RESPONSIBLE FOR OBTAINING ALL NECESSARY PROFESSIONAL LANDSCAPE ARCHITECTURE INFORMATION. 93. THE USER OF THIS DRAWING SHALL BE RESPONSIBLE FOR OBTAINING ALL NECESSARY PROFESSIONAL PLANNING INFORMATION. 94. THE USER OF THIS DRAWING SHALL BE RESPONSIBLE FOR OBTAINING ALL NECESSARY PROFESSIONAL ENGINEERING INFORMATION. 95. THE USER OF THIS DRAWING SHALL BE RESPONSIBLE FOR OBTAINING ALL NECESSARY PROFESSIONAL ARCHITECTURE INFORMATION. 96. THE USER OF THIS DRAWING SHALL BE RESPONSIBLE FOR OBTAINING ALL NECESSARY PROFESSIONAL LANDSCAPE ARCHITECTURE INFORMATION. 97. THE USER OF THIS DRAWING SHALL BE RESPONSIBLE FOR OBTAINING ALL NECESSARY PROFESSIONAL PLANNING INFORMATION. 98. THE USER OF THIS DRAWING SHALL BE RESPONSIBLE FOR OBTAINING ALL NECESSARY PROFESSIONAL ENGINEERING INFORMATION. 99. THE USER OF THIS DRAWING SHALL BE RESPONSIBLE FOR OBTAINING ALL NECESSARY PROFESSIONAL ARCHITECTURE INFORMATION. 100. THE USER OF THIS DRAWING SHALL BE RESPONSIBLE FOR OBTAINING ALL NECESSARY PROFESSIONAL LANDSCAPE ARCHITECTURE INFORMATION.



30" - 48" STANDARD CURB DROP INLET DETAILS
NOT TO SCALE

12" - 24" STANDARD CURB DROP INLET DETAILS
NOT TO SCALE

STORM MANHOLE STEP
NOT TO SCALE



STORM MANHOLE
NOT TO SCALE

STORM MANHOLE
NOT TO SCALE

STORM JB CHAMBER DETAILS
NOT TO SCALE

PAULSON MITCHELL
 INCORPORATED
 LAND PLANNERS - SURVEYORS
 ENGINEERS - ARCHITECTS
 ENVIRONMENTAL CONSULTANTS
 LANDSCAPE ARCHITECTS
 200 HILL STREET
 SUITE 200
 ROSWELL, GEORGIA 30075
 VOICE 770.650.7685
 FAX 770.650.7684
 www.paulsonmitchell.com

PROJECT:
RIVERPOINTE PLAZA PHASE 2
 1048 & 1050 W. MERCURY BLVD.
 HAMPTON, VIRGINIA 23666

FOR:
KB RIVERDALE, LLC
 2743 PERIMETER PARKWAY
 BLDG. 100, SUITE 370
 AUGUSTA, GA 30909
 PH. (706) 854-6714

REVISIONS

08.19.16	CITY COMMENTS
10.04.16	CITY COMMENTS
10.13.16	CITY COMMENTS



BEFORE YOU DIG, CALL MISS UTILITY 1-800-552-7001
24 HR EMERGENCY CONTACT
MARK SENN
 MARK.SENN@OUTSTATEENR.COM

2014169d-2.dwg 06.28.16

GRADING DETAILS