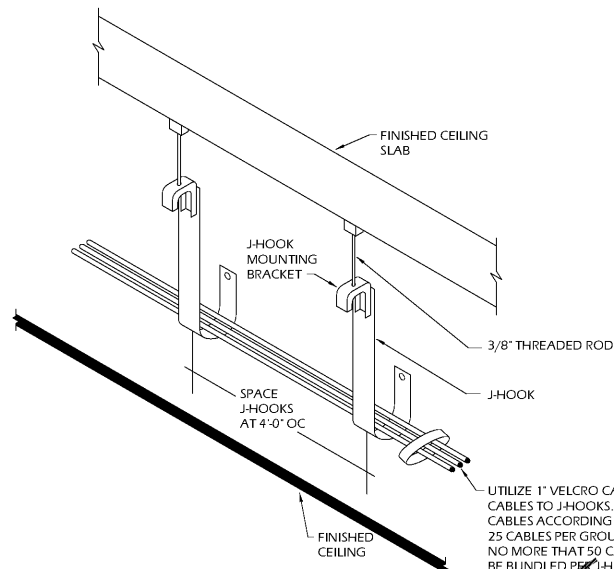
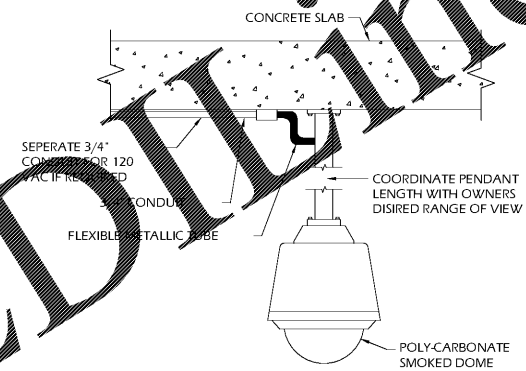


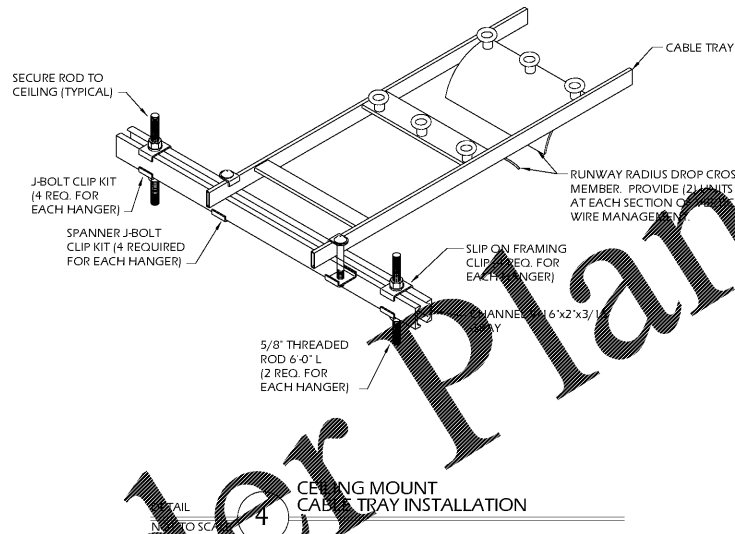
DETAIL NOT TO SCALE 1 GROUNDING DETAIL



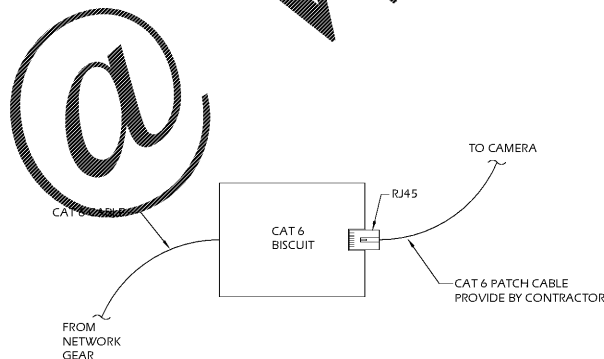
DETAIL NOT TO SCALE 2 ACCESSIBLE CEILING CABLE INSTALLATION DETAIL



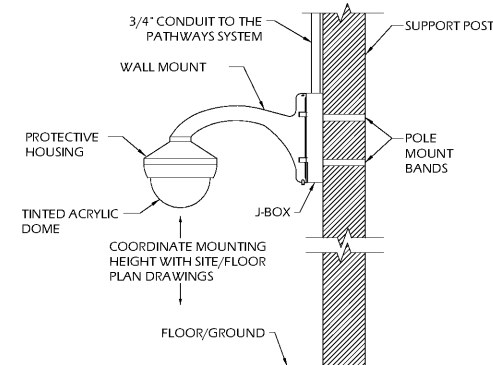
DETAIL NOT TO SCALE 3 FIXED PENDANT MOUNTED 360° DOME CAMERA ENCLOSURE



DETAIL NOT TO SCALE 4 CEILING MOUNT CABLE TRAY INSTALLATION



DETAIL NOT TO SCALE 5 TYPICAL ETHERNET BISCUIT



DETAIL NOT TO SCALE 6 SUPPORT POST MOUNTED CAMERA DOME CAMERA ENCLOSURE

**CHAPMAN GRIFFIN LANIEFUSSEN BACH ARCHITECTS**  
 2900 Cumberland Park Way, Suite 350, Atlanta, Ga 30339 Phone: 404.733.5493

CHAPMAN GRIFFIN LANIEFUSSEN BACH ARCHITECTS  
 2017  
 RELEASED FOR CONSTRUCTION  
  
 J&A ENGINEERING CONSULTANTS  
 4995 LONNERS BLVD. SUITE 1000  
 WAREHOUSES, GA 30086  
 PHONE: 770.477.4020  
 FAX: 770.233.6678

DATE	NO.	DESCRIPTION
03/27/18		CODE PRELIMINARY SUBMITTAL DESIGN DEVELOPMENT
06/19/18		CODE PRELIMINARY SUBMITTAL DESIGN DEVELOPMENT
06/19/18	1	FINAL CODE SUBMITTAL
10/10/18		FINAL CODE SUBMITTAL
11/01/18		ISSUED FOR PROPOSALS

**BRIEF TITLE**  
 RIVERWOOD HIGH SCHOOL - PHASE 3-7 AUDITORIUM/GYMNASIUM ADDITION  
 5900 RAIDER DRIVE NW SANDY SPRINGS, GA 30228  
 FULTON COUNTY SCHOOLS RFP NO. XXX-XX

**DETAILS**  
 PROJECT NO. 15099  
 DATE: 06-19-18  
 DRAWN BY: Author  
 CHECKED BY: Checker  
 SHEET NO. LV-503

Order Plans

WWW.LDOnline.com