

DATE	NO.	DESCRIPTION
03/27/18	1	CODE PRELIMINARY SUBMITTAL DESIGN DEVELOPMENT
06/19/18	2	CODE PRELIMINARY SUBMITTAL DESIGN DEVELOPMENT
06/19/18	3	CODE PRELIMINARY SUBMITTAL DESIGN DEVELOPMENT
10/10/18	4	FINAL CODE SUBMITTAL
11/01/18	5	FINAL CODE SUBMITTAL
		ISSUED FOR PROPOSALS

**CHAPMAN GRIFFIN LANIEFF SUSENBACH ARCHITECTS**  
2000 Cumberland Park Way, Suite 350 Atlanta, Ga 30339 Phone: 404.733.5493

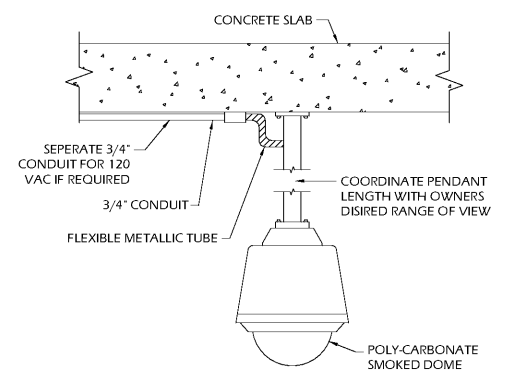
DOE FACILITY CODE: 680-3086

**RIVERWOOD HIGH SCHOOL - PHASE 3-7**  
AUDITORIUM/GYMNASIUM ADDITION

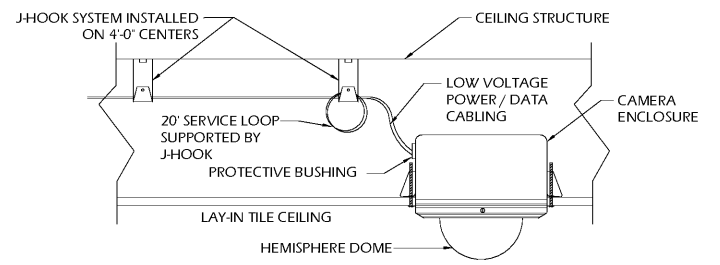
5900 RAIDER DRIVE NW SANDY SPRINGS, GA 30228  
FULTON COUNTY SCHOOLS RFP NO. XXX-XX

**DETAILS**

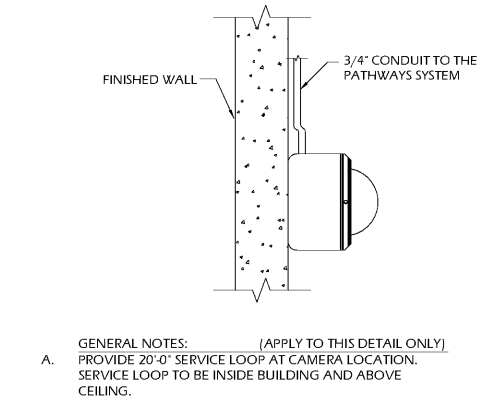
PROJECT NO.	15099
DATE	06-19-18
DRAWN BY	Author
CHECKED BY	Cracker
SHEET NO.	LV-501



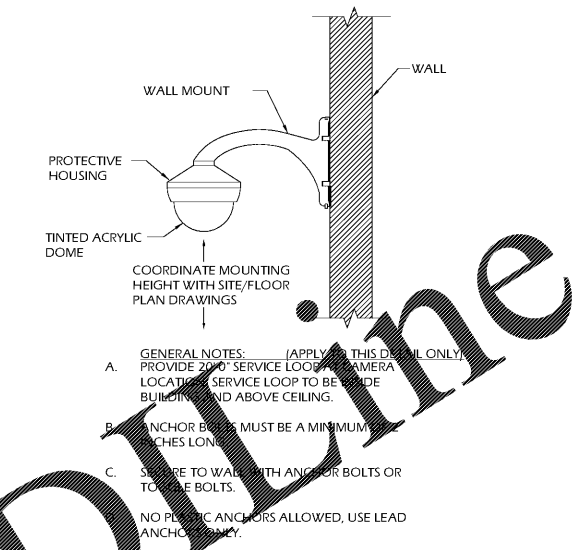
DETAIL NOT TO SCALE **1** FIXED, P/T/Z OR MULTI-SENSOR PENDANT MOUNTED DOME CAMERA ENCLOSURE



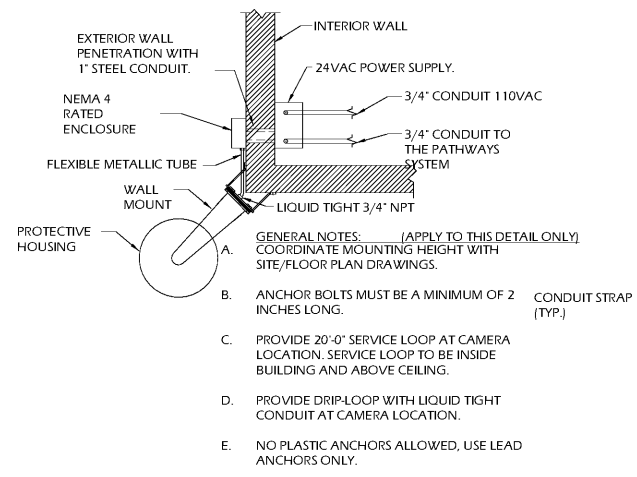
DETAIL NOT TO SCALE **2** LAY-IN TILE CEILING MOUNT RECESSED DOME CAMERA ENCLOSURE SURFACE DOME CAMERA ENCLOSURE



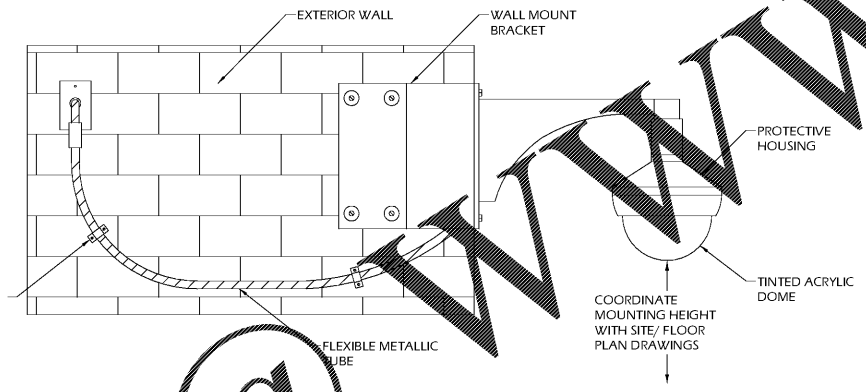
DETAIL NOT TO SCALE **3** INTERIOR FIXED WALL MOUNTED ON CONCRETE OR CMU WALL SURFACE DOME CAMERA ENCLOSURE



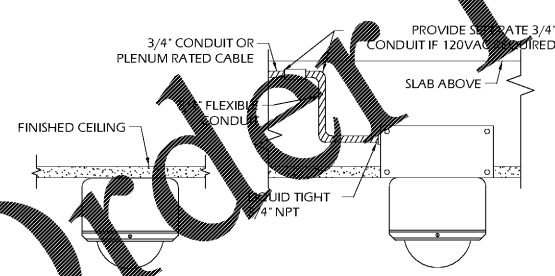
DETAIL NOT TO SCALE **4** INTERIOR/EXTERIOR FIXED WALL MOUNT DOME CAMERA ENCLOSURE



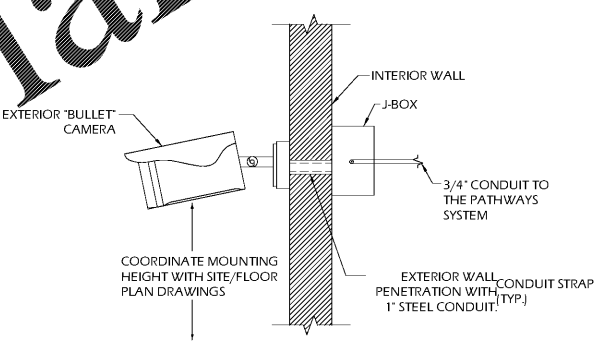
DETAIL NOT TO SCALE **5** CORNER MOUNTED P/T/Z EXTERIOR DOME CAMERA



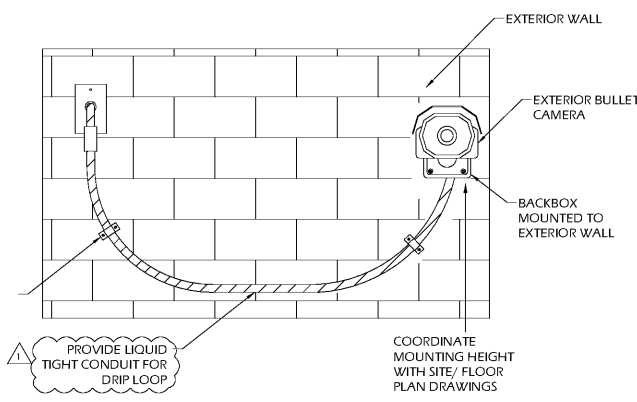
DETAIL NOT TO SCALE **6** INTERIOR 'BULLET' CAMERA MOUNTED ON COLUMN BOX CAMERA ENCLOSURE



DETAIL NOT TO SCALE **7** INTERIOR P/T/Z CEILING MOUNTED GYPSUM BOARD CEILING SURFACE DOME CAMERA ENCLOSURE



DETAIL NOT TO SCALE **8** INTERIOR/EXTERIOR FIXED WALL MOUNT 'BULLET' CAMERA BOX CAMERA ENCLOSURE



DETAIL NOT TO SCALE **9** INTERIOR/EXTERIOR HARD CEILING MOUNT GYPSUM BOARD/CONCRETE/SOFFIT CEILING SURFACE DOME CAMERA ENCLOSURE

Order Plans @ www.ldonline.com

10/26/2018 2:42:08 PM