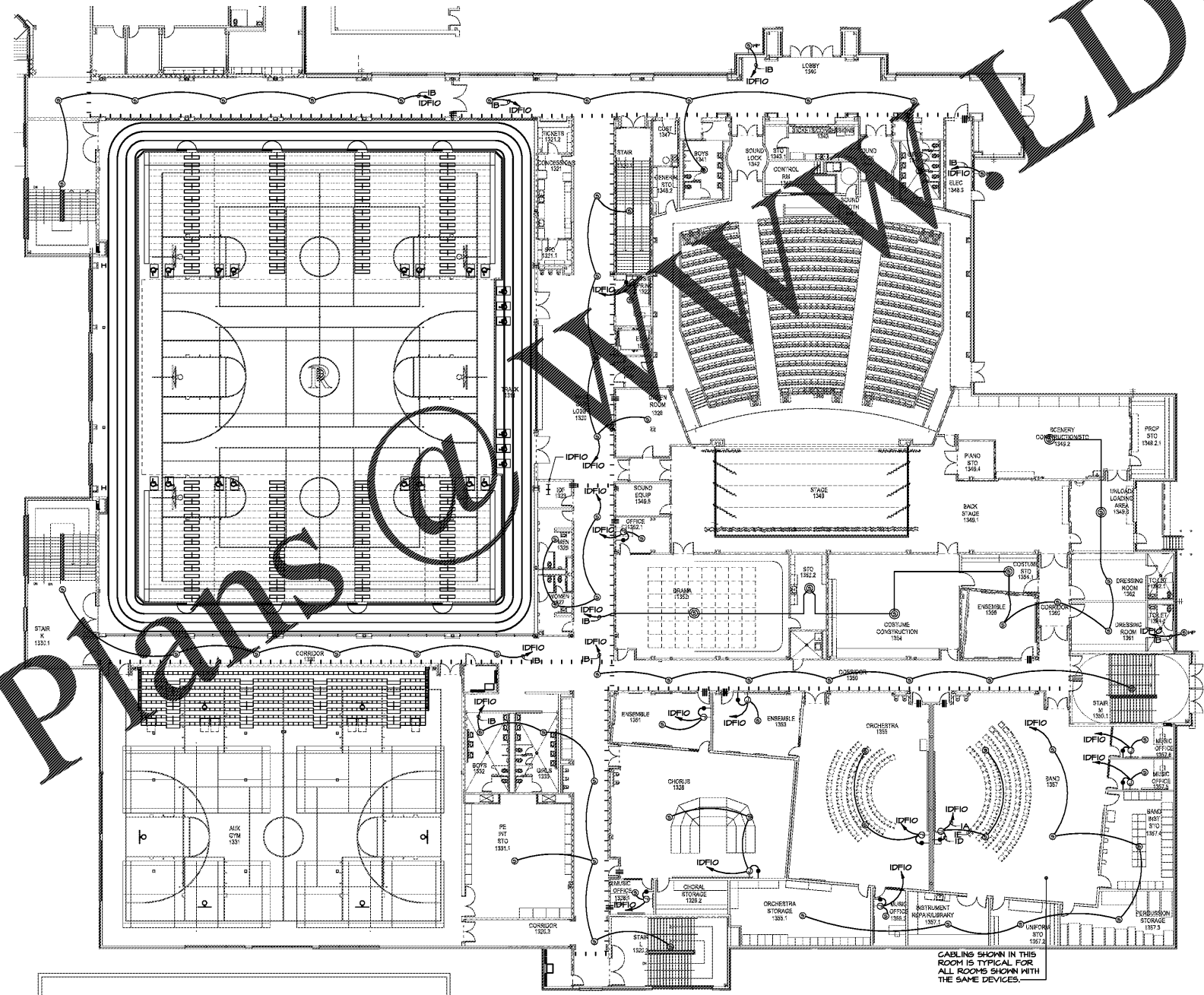
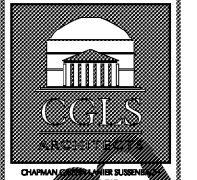
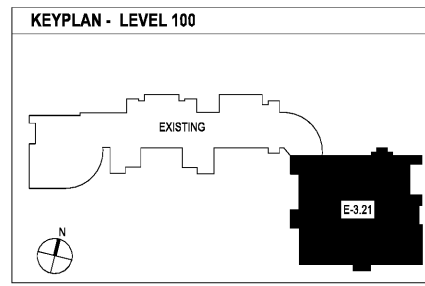


Order Plans @ www.WALDLine.com



1 LEVEL 100 FLOOR PLAN - INTERCOM
E-3.21/1/16"=1'-0"

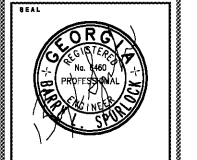
SEE SHEET E-3.11 FOR REFERENCED NOTES.



CHAPMAN GRIFFIN LANIER SUSSENBACH ARCHITECTS
INC.



2970 Clairmont Rd., Suite 420
Atlanta, GA 30329
P: 404.633.0245
F: 404.633.1756



| DATE | NO. | DESCRIPTION |
|----------|-----|--|
| 03/27/18 | | ISSUE PRELIMINARY QUANTITIES |
| 04/19/18 | | ISSUE PRELIMINARY DESIGN DEVELOPMENT DOCUMENTS |
| 04/17/18 | | ISSUE CHECKLIST-SC/PERMIT SET |
| 10/19/18 | | FINAL ISSUE SUBMITTAL ISSUED FOR PERMIT |
| 11/07/18 | | |

**RIVERWOOD HIGH SCHOOL-PHASE 3-8
AUDITORIUM / GYMNASIUM ADDITION**
5900 RAIDER DRIVE NW SANDY SPRINGS, GA 30328
FULTON COUNTY SCHOOLS RFP NO. 411-19

SHEET TITLE
**LEVEL 100
FLOOR PLAN -
INTERCOM**

PROJECT NO.
18015.02

DATE
09/17/18

DRAWN BY: G.T.R.
CHECKED BY: B.L.S.

SHEET NO.
E-3.21