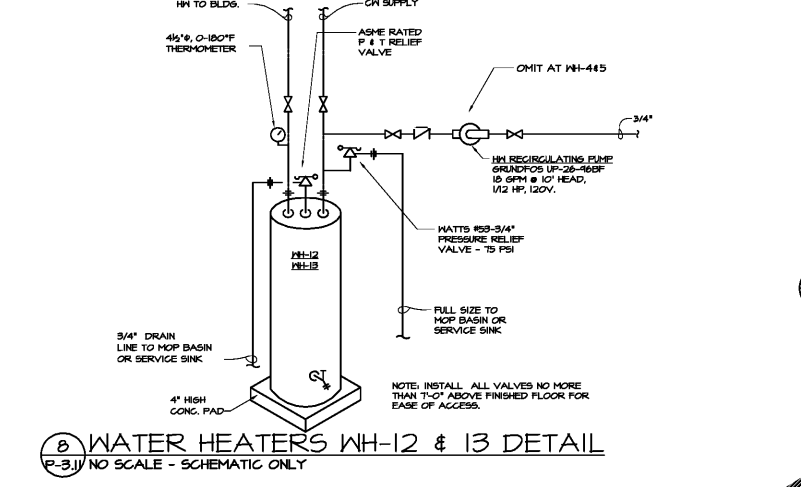


PLUMBING LEGEND

SYMBOL	DESCRIPTION
---	SOIL OR WASTE ABOVE SLAB
---	SOIL OR WASTE PIPING BELOW SLAB OR GRADE
---	VENT PIPING
---	COLD WATER PIPING
---	HOT WATER PIPING
---	140° HOT WATER PIPING
---	HOT WATER RECIRCULATING PIPING
---	RAIN WATER ABOVE SLAB
---	EMERGENCY RAIN WATER ABOVE SLAB
---	RAIN WATER BELOW SLAB OR GRADE
---	PIPES TO BE REMOVED
---	SUPPLY PIPING TO TRAP PRIMER
---	AIR PIPING
---	OVERHEAD AIR OUTLET
---	OVERHEAD AIR AND WATER OUTLET
---	AIR OUTLET
---	GAS PIPING ABOVE SLAB OR GRADE
---	GAS PIPING BELOW SLAB OR GRADE
---	HIGH PRESSURE GAS PIPING ABOVE SLAB OR GRADE
---	HIGH PRESSURE GAS PIPING BELOW SLAB OR GRADE
---	GREASE WASTE PIPING ABOVE SLAB OR GRADE
---	GREASE WASTE PIPING BELOW SLAB OR GRADE
---	ACID WASTE PIPING ABOVE SLAB OR GRADE
---	ACID WASTE PIPING BELOW SLAB OR GRADE
---	WATER HAMMER ARRESTER, "A" INDICATES P.D.J. SIZE
---	GATE VALVE OR BALL VALVE
---	VALVE IN RISER
---	CHECK VALVE
---	PRESSURE RELIEF VALVE
---	PRESSURE REDUCING VALVE
---	GAS COCK
---	SOLENOID VALVE
---	ENERGY CUT-OFF VALVE
---	BALANCING VALVE
---	HOSE BIBB - INSTALL 16" AFF AT LAVATORIES, 24" AFF IN SHOPS
---	HALL HYDRANT - INSTALL 16" ABOVE FINISHED GRADE
---	FLOOR DRAIN, "A" INDICATES TYPE
---	P-TRAP
---	CLEANOUT IN HALL - INSTALL 12" AFF MINIMUM
---	CLEANOUT IN FLOOR SLAB OR FINISH GRADE
---	VENT THROUGH ROOF
---	PIPE TURNING UP
---	PIPE TURNING DOWN
---	TEE CONNECTION IN SIDE OF PIPE
---	TEE CONNECTION IN TOP OF PIPE
---	TEE CONNECTION IN BOTTOM OF PIPE
---	UNION
---	END CAP
---	INCREASER
---	ROOF DRAIN
---	EMERGENCY ROOF DRAIN
---	DOWN SPOUT / DOWN SPOUT NOZZLE
---	RAIN WATER PIPING / EMERGENCY RAIN WATER PIPING
---	RAIN LEADER / EMERGENCY RAIN LEADER
---	FIRE DEPARTMENT CONNECTION
---	FIRE LINE
---	FIRE HYDRANT
---	ABOVE CEILING
---	ABOVE FINISHED FLOOR / ABOVE FLOOR
---	INVERT ELEVATION
---	EXISTING / EX.
---	DOWN
---	HANDICAP
---	BARRIER FREE
---	CLEAN OUT
---	EXISTING CLEAN OUT
---	DROP CLEAN OUT
---	BELOW FINISHED FLOOR / BELOW FLOOR
---	BELOW GRADE
---	FROM ABOVE
---	DEEP SEAL TRAP
---	WASTE
---	SANITARY
---	VENT
---	HOT WATER
---	COLD WATER
---	ACID WASTE
---	ACID VENT
---	ACID VENT THRU ROOF
---	GREASE WASTE

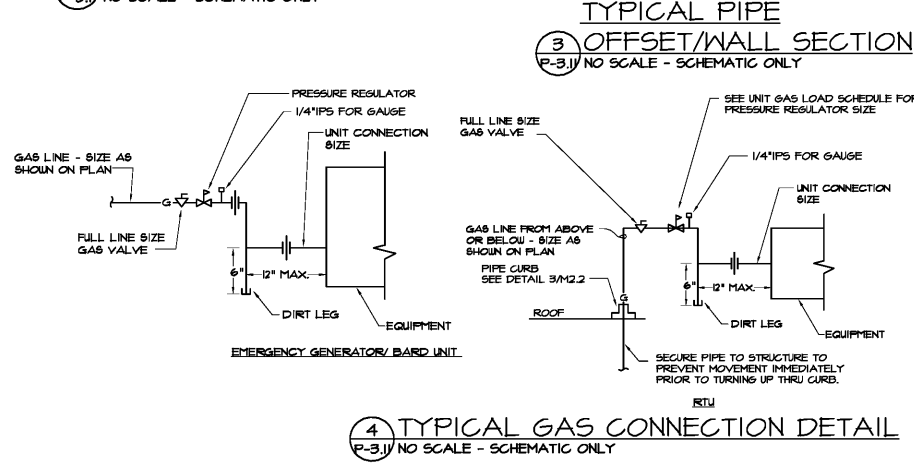
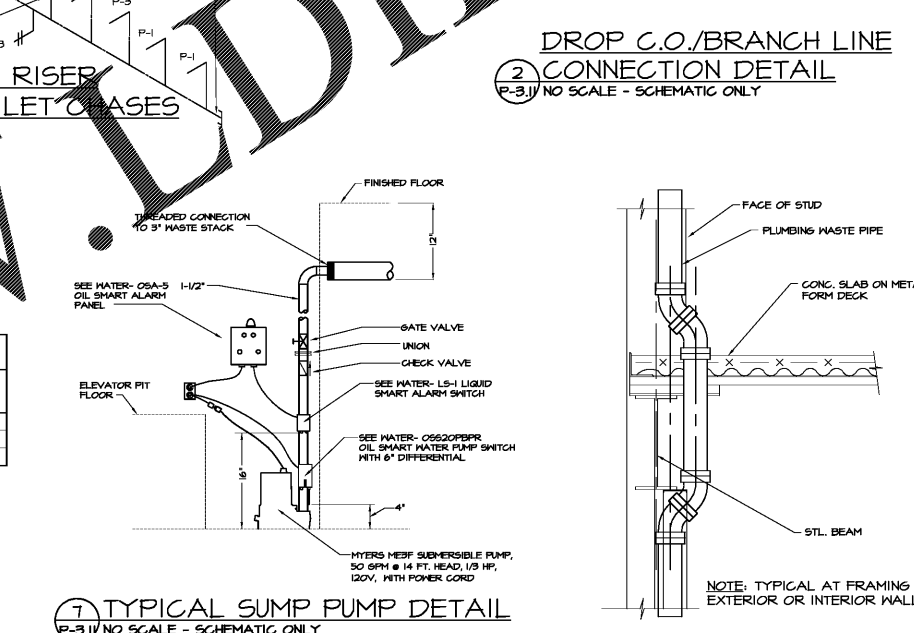
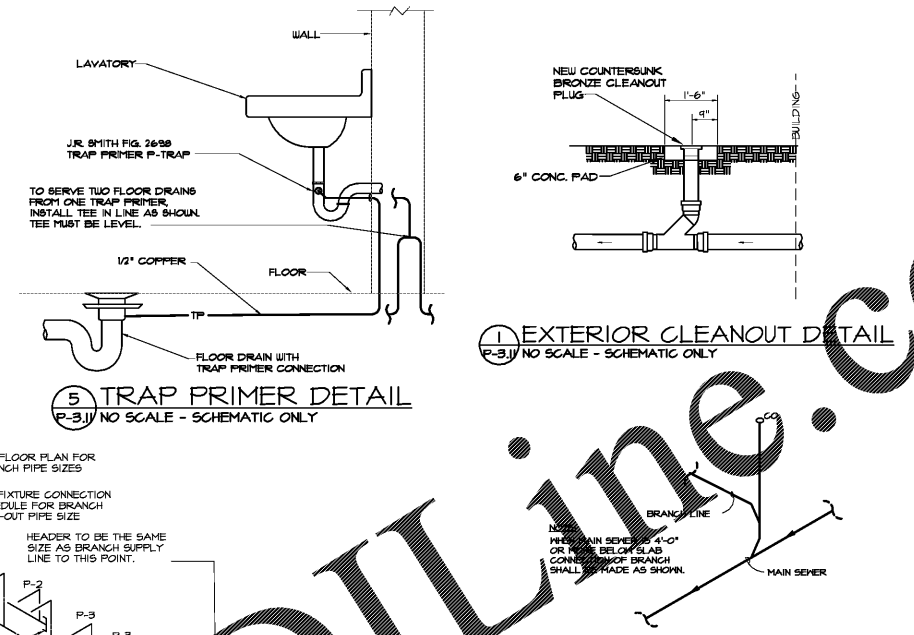
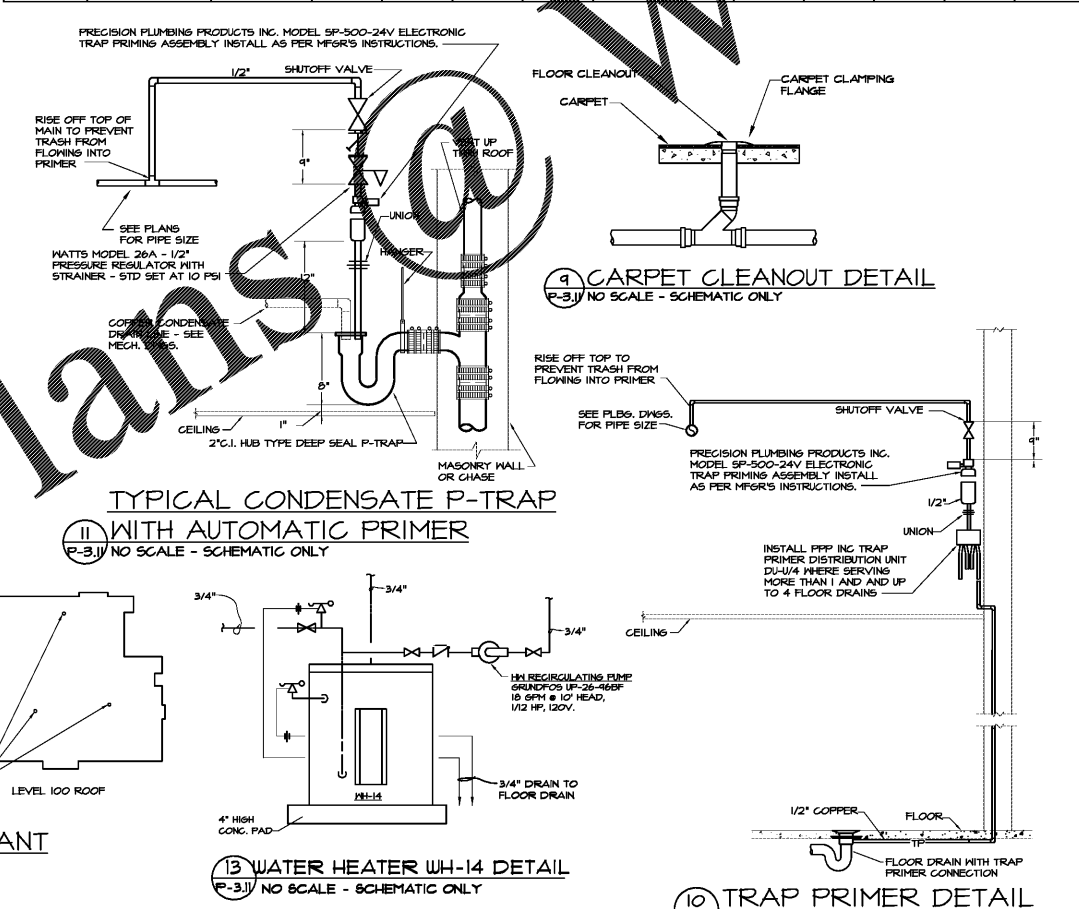
FIXTURE CONNECTION SCHEDULE

DESIG.	FIXTURE	COLD WATER BRANCH STUB-OUT	COLD WATER FIXTURE SUPPLY	HOT WATER BRANCH STUB-OUT	HOT WATER FIXTURE SUPPLY	WASTE OUTLET CONNECTION	MOUNTING HEIGHT TO RIM
P-1	WATER CLOSET	1"	1"	---	---	4"	---
P-1a	WATER CLOSET (BF)	1"	1"	---	---	4"	---
P-2	LAVATORY	1/2"	3/8"	1/2"	3/8"	1-1/4"	34"
P-2a	LAVATORY (BF)	1/2"	3/8"	1/2"	3/8"	1-1/4"	24" TO BOT.
P-2b	LAVATORY (STUDENT)	1/2"	3/8"	---	---	1-1/4"	34"
P-2c	LAVATORY (STUDENT-BF)	1/2"	3/8"	---	---	1-1/4"	24" TO BOT.
P-3	URINAL	3/4"	3/4"	---	---	2"	24"
P-3a	URINAL (BF)	3/4"	3/4"	---	---	2"	17"
P-4	MOP BASIN	1/2"	1/2"	1/2"	1/2"	3"	---
P-4a	SERVICE SINK	1/2"	1/2"	1/2"	1/2"	1-1/2"	36"
P-5	WATER COOLER	1/2"	3/8"	---	---	1-1/4"	40" TO SPOUT
P-5a	WATER COOLER (BF)	1/2"	3/8"	---	---	1-1/4"	36" TO SPOUT
P-5b	WATER COOLER W/BOTTLE FILLER (BF)	1/2"	3/8"	---	---	1-1/4"	36" TO SPOUT
P-5c	DRINKING FOUNTAIN W/REMOTE CHILLER (SPLIT BF)	1/2"	3/8"	---	---	1-1/4"	36" TO SPOUT
P-6	SINK, WORKROOM	1/2"	3/8"	1/2"	3/8"	1-1/2"	---
P-6a	SINK, (TRIPLE COMP.)	1/2"	3/8"	1/2"	3/8"	1-1/2"	---
P-7	SHOWER	1/2"	1/2"	1/2"	1/2"	2"	---
P-7a	SHOWER (BF)	1/2"	1/2"	1/2"	1/2"	2"	---
P-8	ICE MAKER BOX	1/2"	3/8"	---	---	---	24"
P-4	MIXING FAUCET (HURLPOOL)	1/2"	1/2"	1/2"	1/2"	---	54"



WATER HEATER SCHEDULE

DESIG.	MANUFACTURER	MODEL	GAS	BTUH	ELECTRIC	STORAGE	KH	VO	PHASE	RECOVERY	SET TSTAT	RECIRC	
WH-12	A. O. SMITH	DRE-120	---	---	X	120	46	3	3	80"	120"	YES	
WH-13	A. O. SMITH	DRE-52	---	---	X	50 GAL	490	3	3	80"	120"	YES	
WH-14	A. O. SMITH	DEL-20	---	---	X	50 GAL	3	120	1	15 6FH	80"	120"	YES



GAS PRESSURE REGULATOR SIZING

ROOF-TOP UNIT DESIGNATION	R36/R48	R60	RT2	R101/R144	R300	R360	V48/V60
GAS LOAD (CFH)	12	115	125	180	400	525	100
SENSUS GAS PRESSURE REG MODEL #	446	446	446	446	446	446	446
INLET GAS PRESSURE	5 PSI	5 PSI	5 PSI	5 PSI	5 PSI	5 PSI	5 PSI
OUTLET GAS PRESSURE	7" M.C.	7" M.C.	7" M.C.	7" M.C.	7" M.C.	7" M.C.	7" M.C.

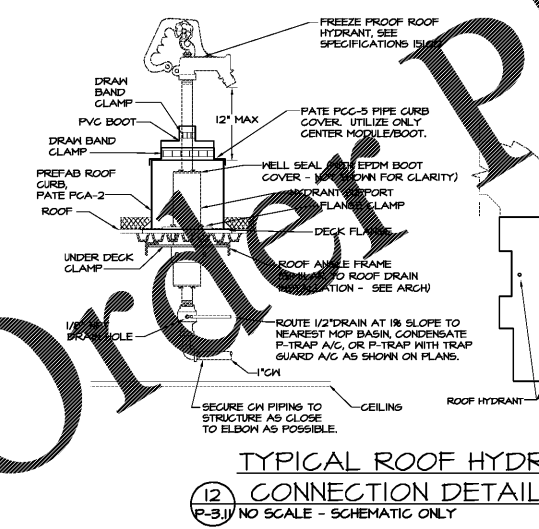
EXISTING GAS METER LOAD

HEATING	15366 CFH
SCIENCE	104 CFH
GENERATOR	1120 CFH
COOKING	2184 CFH
WATER HEATING-DRYER	1542 CFH
TOTAL	19126 CFH

NEW GAS METER LOAD

HEATING	15366 CFH
SCIENCE	104 CFH
GENERATOR	2632 CFH
COOKING	2184 CFH
WATER HEATING-DRYER	1542 CFH
TOTAL	20304 CFH

DELIVERY PRESSURE = 5 PSI



Order Plans

CHAPMAN GRIFFIN LANIER SUSSENBACH ARCHITECTS

DOE FACILITY CODE: 660-3066

RIVERWOOD HIGH SCHOOL-PHASE 3-8 AUDITORIUM / GYMNASIUM ADDITION

5900 RAIDER DRIVE NW SANDY SPRINGS, GA 30328

FULTON COUNTY SCHOOLS RFP NO. 411-18

SHEET TITLE

SCHEDULES & DETAILS-PLUMBING

PROJECT NO. 18015.02

DATE 09/17/18

DRAWN BY J.C.F.

CHECKED BY B.L.S.

SHEET NO.

P-3.11