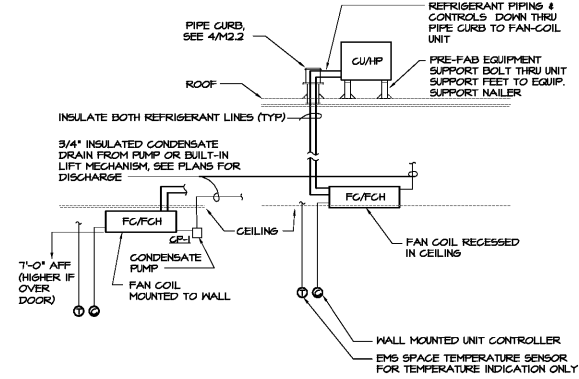


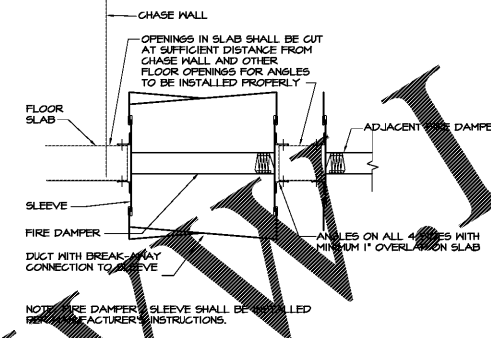
12 SECTION AT FABRIC DUCT
M2.2 NO SCALE



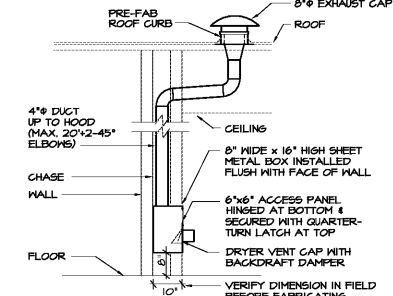
13 FABRIC DUCT SUPPORT DETAIL
M2.2 NO SCALE



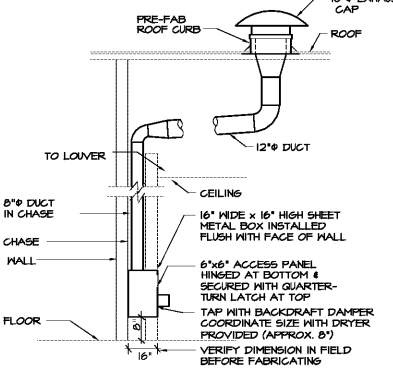
6 TYPICAL DUCTLESS SPLIT AIR CONDITIONING SYSTEMS
M2.2 NO SCALE



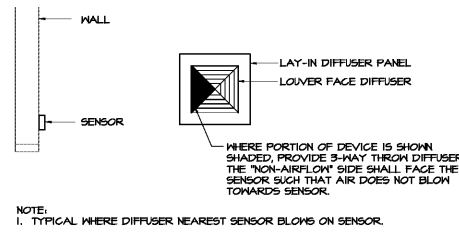
7 FIRE DAMPER AT FLOOR PENETRATION DETAIL
M2.2 NO SCALE



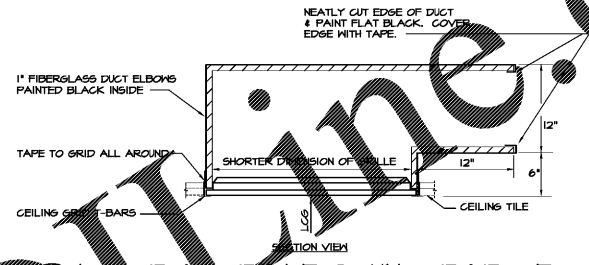
8 DRYER VENT DETAIL
M2.2 NO SCALE



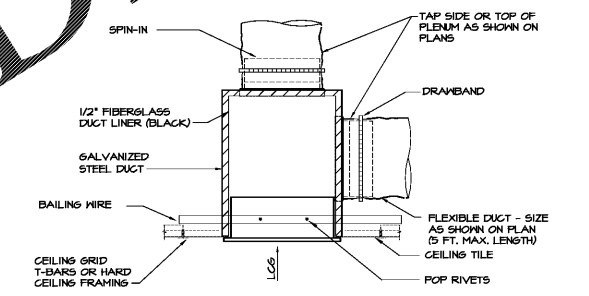
9 COMMERCIAL DRYER VENT DETAIL
M2.2 NO SCALE



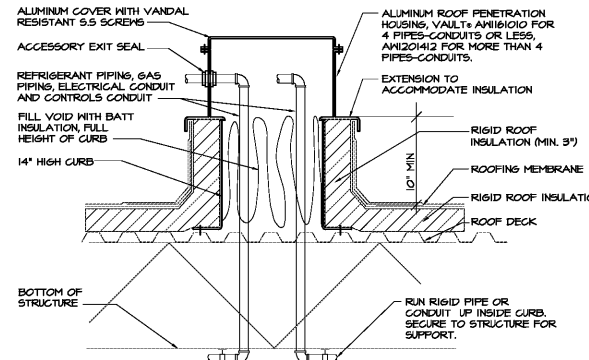
1 DIFFUSER BLANK-OFF DETAIL
M2.2 NO SCALE



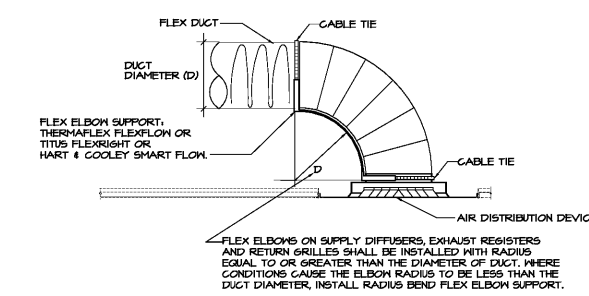
2 LGG, R, A, GILLE SOUNDTRAP DET.
M2.2 NO SCALE



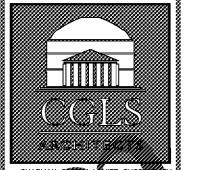
3 LGG, CG, CR PLENUM DETAIL
M2.2 NO SCALE



4 PIPE CURB DETAIL
M2.2 NO SCALE - SCHEMATIC ONLY

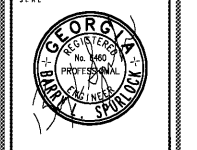


5 FLEX SUPPORT DETAIL
M2.2 NO SCALE



CHAPMAN GRIFFIN LANIER SUSENBACHA ARCHITECTS
1800 N. W. 10TH AVE., SUITE 100
MIAMI, FL 33136
TEL: 305.575.1100
FAX: 305.575.1101
WWW.CGLSARCHITECTS.COM

SPURLOCK ASSOCIATES, INC.
2970 Clairmont Rd., Suite 620
Atlanta, GA 30329
P: 404.633.0245
F: 404.633.1736



DATE	NO.	DESCRIPTION
03/27/18		ISSUE PRELIMINARY SUBMITTAL
06/14/18		DESIGN DEVELOPMENT
06/17/18		ISSUE CONSTRUCTION DOCUMENTS
08/17/18		ISSUE CHECK-1-SET/ PERMIT SET
10/10/18		FINAL ISSUE SUBMITTAL
11/07/18		ISSUE FOR PROPOSAL

DOE FACILITY CODE: 660 -3066
RIVERWOOD HIGH SCHOOL-PHASE 3-8 AUDITORIUM / GYMNASIUM ADDITION
5900 RAIDER DRIVE NW SANDY SPRINGS, GA 30328
FULTON COUNTY SCHOOLS RFP NO. 411-18

SHEET TITLE	
HVAC DETAILS	
PROJECT NO.	18015.02
DATE	09/17/18
DRAWN BY	CPAM/M.D.
CHECKED BY	B.L.S.
SHEET NO.	
M-2.2	

Order Plans