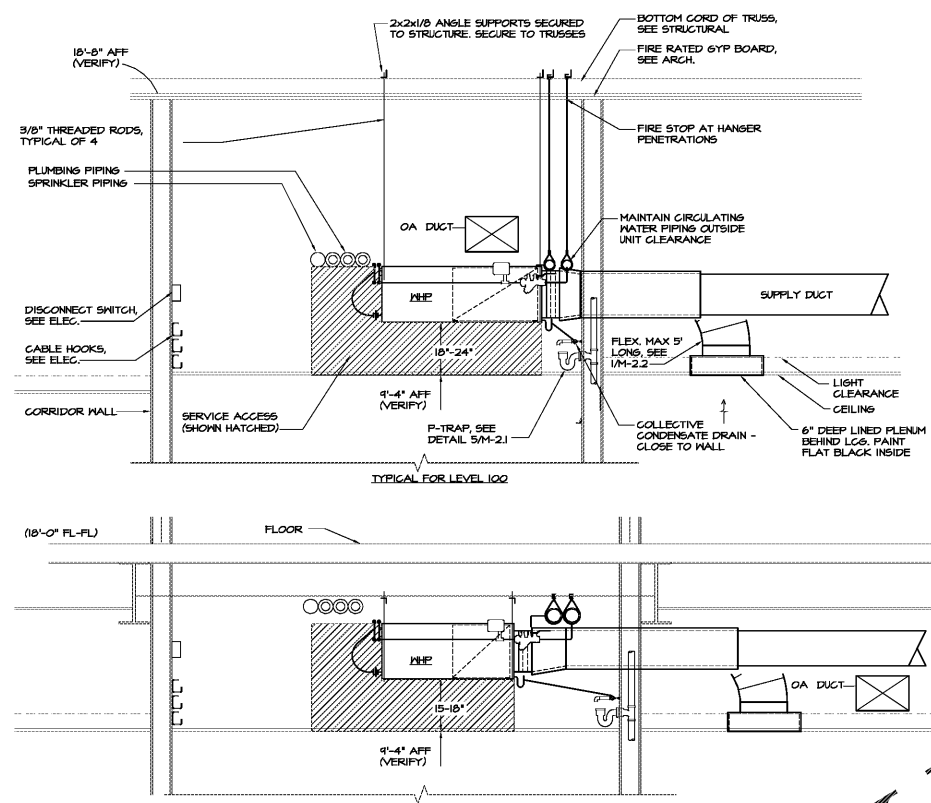
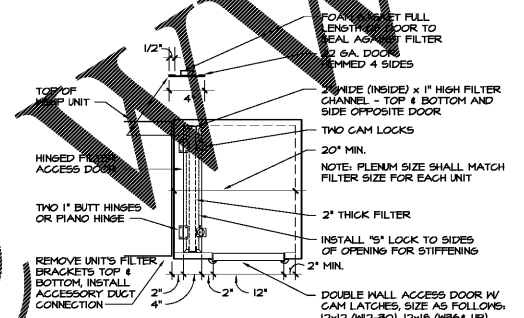


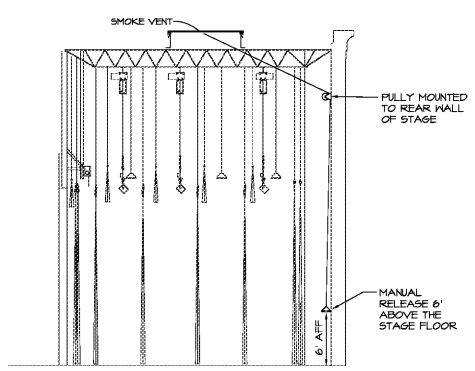
5 CONDENSATE P-TRAP DETAIL
M-2/1 NO SCALE



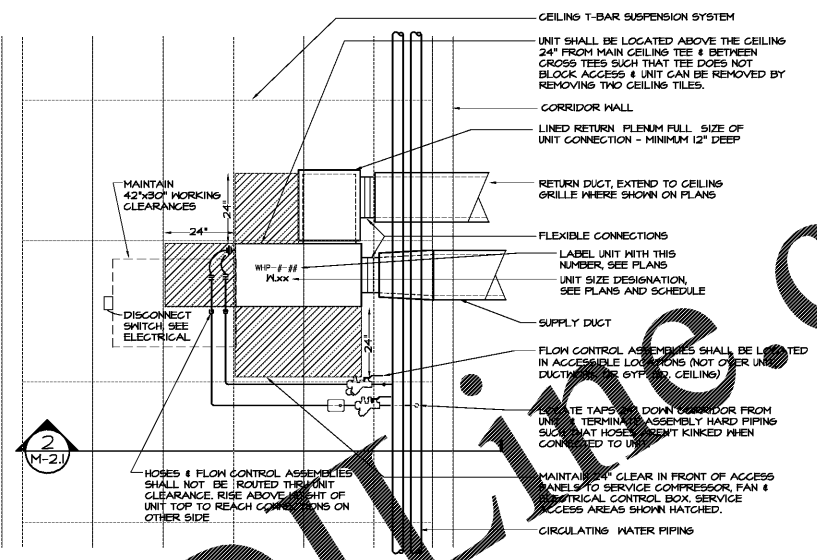
2 SECTION AT TYPICAL WATER SOURCE HEAT PUMP UNIT
M-2/1 1/2"=1'-0"



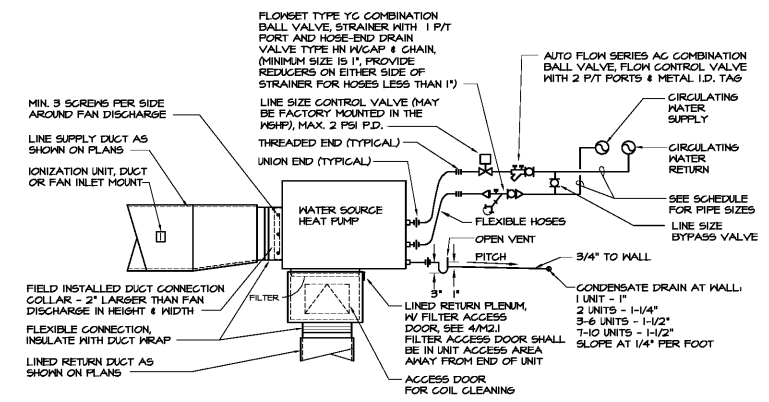
4 FILTER ACCESS DETAIL
M-2/1 1"=1'-0"



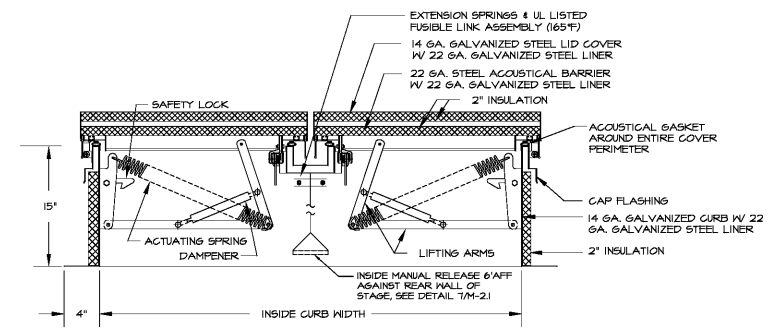
7 SMOKE VENT MANUAL RELEASE DETAIL
M-2/1 NO SCALE



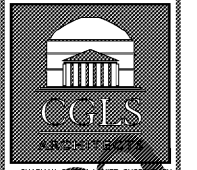
3 PARTIAL PLAN AT TYPICAL WATER SOURCE HEAT PUMP UNIT
M-2/1 1/2"=1'-0"



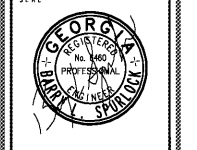
3 TYPICAL WATER SOURCE HEAT PUMP UNIT PIPING AND DUCT CONNECTION DETAIL
M-2/1 NO SCALE



6 ACOUSTICAL SMOKE VENT DETAIL
M-2/1 NO SCALE



SPURLOCK ASSOCIATES, INC.
2970 Clairmont Rd., Suite 620
Atlanta, GA 30329
P: 404.633.0245
F: 404.633.1736



DATE	NO.	DESCRIPTION
03/27/18		ISSUE PRELIMINARY SCHEDULE
06/14/18		ISSUE DESIGN DEVELOPMENT
06/17/18		ISSUE CONSTRUCTION DOCUMENTS
06/17/18		ISSUE CHECKLIST-SET/PERMIT SET
10/10/18		FINAL ISSUE SUBMITTAL
11/07/18		ISSUED FOR PROPOSAL

DOE FACILITY CODE: 660 -3066
RIVERWOOD HIGH SCHOOL-PHASE 3-8 AUDITORIUM / GYMNASIUM ADDITION
5900 RAIDER DRIVE NW SANDY SPRINGS, GA 30328
FULTON COUNTY SCHOOLS RFP NO. 411-18

SHEET TITLE
HVAC DETAILS
PROJECT NO. 18015.02
DATE 09/17/18
DRAWN BY: CPAM/WJD
CHECKED BY: BLS

SHEET NO.
M-2.1

Order Plans @ WWW.W...LINE.COM