

SPAN	ANGLE SIZE
UP TO 4'-0"	L3X3X3/16
4'-1" TO 6'-0"	L4X3X1/4 (LLV)
6'-1" TO 8'-0"	L5X3X1/4 (LLV)
8'-1" TO 10'-0"	L6X4X5/16 (LLV)

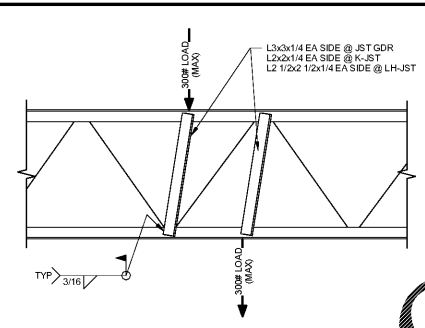
- NOTES:
1. PROVIDE SIMILAR FRAMING AT ROOF DRAINS.
 2. WELD/CONNECT DECK TO ALL FRAMING AT 6" OC MAXIMUM SPACING. COORDINATE WITH ENGINEER FOR SPECIAL DETAILS REQUIRED TO CONNECT ANGLES TO EXISTING DECK IN AN INSTALLATION OF NEW UNIT ON EXISTING ROOF FRAMING.
 3. WHEN JOIST BRIDGING CONFLICTS WITH ROOF OPENING FRAMES, STOP BRIDGING AT EACH SIDE OF OPENING. PROVIDE CROSS BRIDGING AT LAST BRIDGING SPACE EACH SIDE OF OPENING AND CONNECT ENDS OF BRIDGING TO OPENING FRAMING. ADD ADDITIONAL BRIDGING AND CROSS BRIDGING ON EACH SIDE OF OPENING ON EACH SIDE OF CUT BRIDGING AREA WITH BRIDGING EXTENDED ONE BAY BEYOND EACH SIDE OF OPENING.
 4. ANCHOR EQUIPMENT AND CURB TO MISCELLANEOUS FRAMING SHOWN AS REQUIRED FOR WIND AND/OR SEISMIC FORCES. COORDINATE WITH PEST STRUCTURAL ENGINEERS.
 5. THIS DETAIL IS NOT APPLICABLE TO ROOFTOP EQUIPMENT CURBS. REFER TO TYPICAL EQUIPMENT CURB SUPPORT DETAIL FOR CURB SUPPORT FRAMING.

TYPICAL ROOF OPENING DECK SUPPORT FRAMING
SCALE: 3/8" = 1'-0"

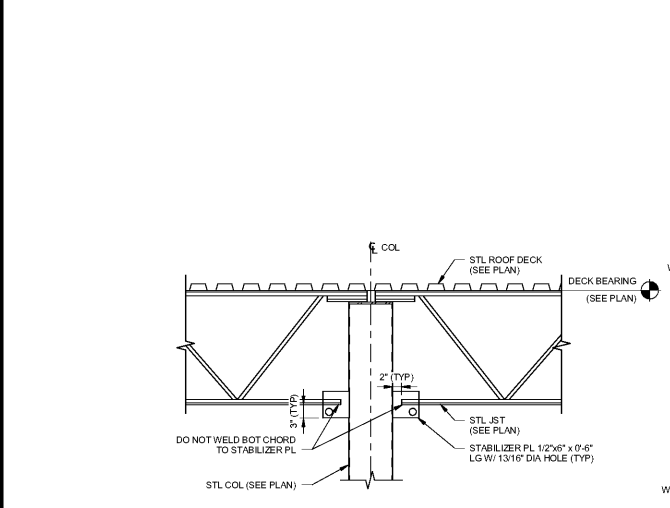
TYPICAL CONTINUOUS ROOF ANGLE SPLICE
SCALE: 3" = 1'-0"

TYPICAL WHERE DECK CHANGES DIRECTIONS
SCALE: 1" = 1'-0"

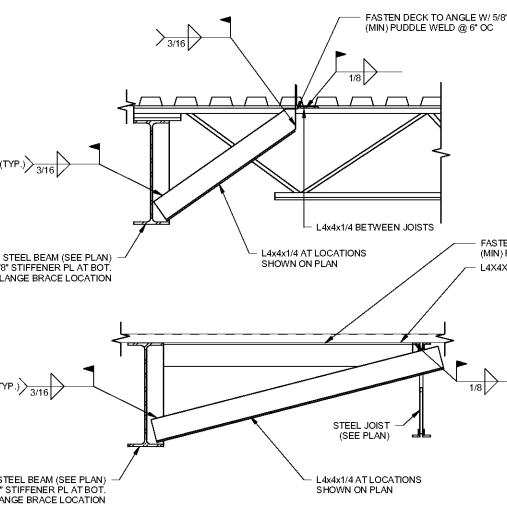
TYPICAL JOIST/JOIST GIRDER OVER SUPPORT
SCALE: 1" = 1'-0"



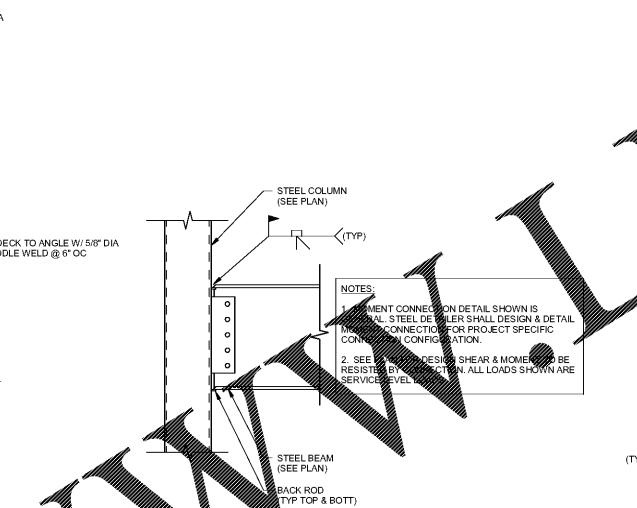
- NOTES:
1. STRUT IS NOT REQUIRED WHERE THE DISTANCE FROM PANEL POINT DOES NOT EXCEED 6" FOR JOIST GIRDERS AND LH-JOISTS, OR 3" FOR JOISTS.
 2. STRUT IS NOT REQUIRED WHERE NOMINAL CONCENTRATED LOAD DOES NOT EXCEED 100 LBS AND THE ATTACHMENTS ARE CONCENTRATED TO THE CENTER.



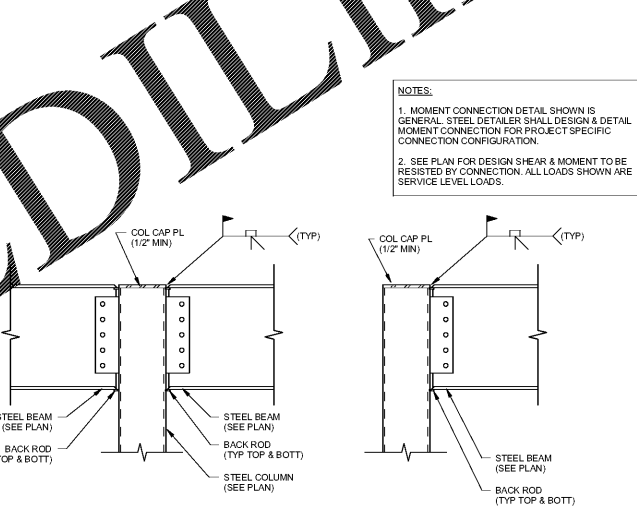
TYPICAL JOIST AT COLUMN CONNECTION
SCALE: 3/4" = 1'-0"



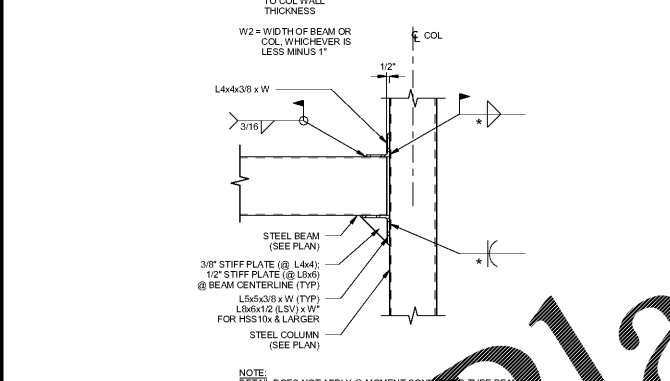
TYP BEAM BOTTOM FLANGE BRACE
SCALE: 1" = 1'-0"



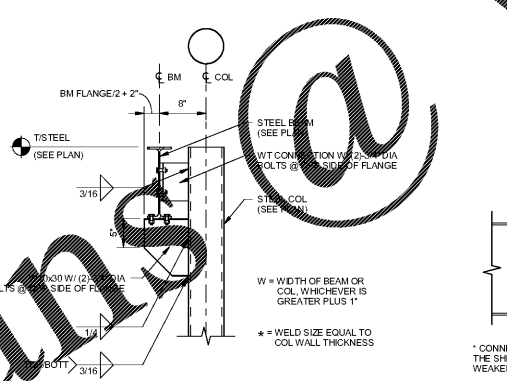
TYPICAL MOMENT CONNECTION
SCALE: 1" = 1'-0"



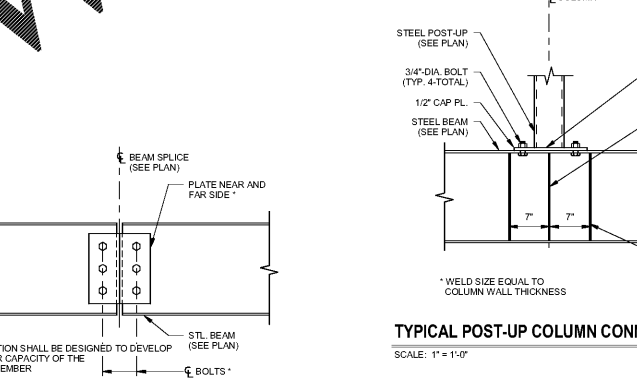
TYPICAL MOMENT CONNECTION @ T/COLUMN
SCALE: 1" = 1'-0"



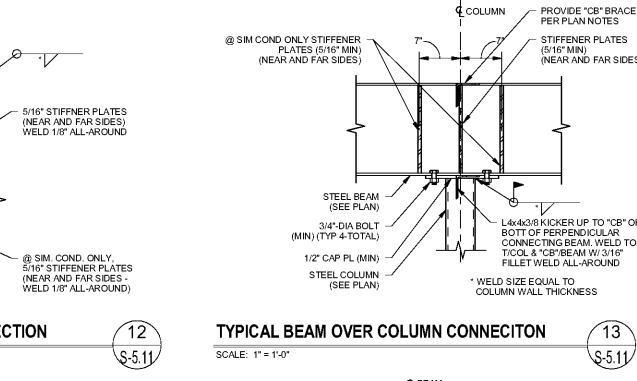
TYPICAL TUBE BEAM TO COL CONNECTION
SCALE: 1" = 1'-0"



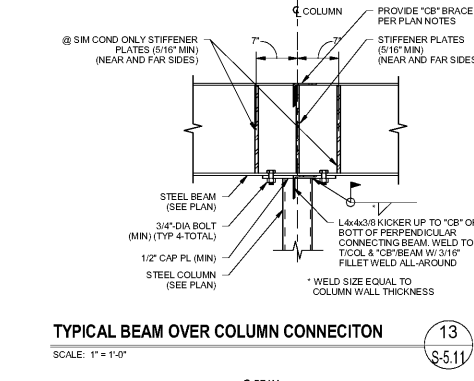
TYPICAL OFFSET BEAM SEAT CONNECTION
SCALE: 1" = 1'-0"



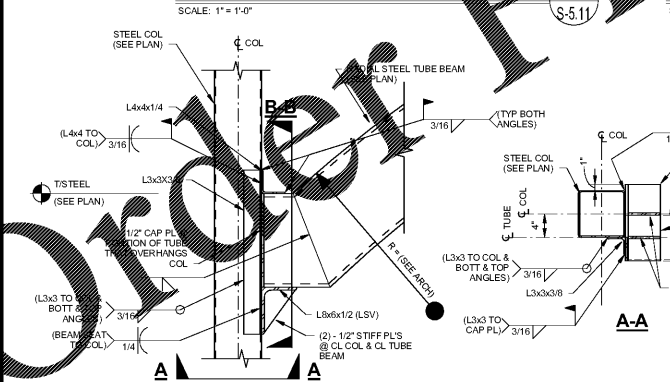
TYPICAL STEEL BEAM SPLICE (SP)
SCALE: 1" = 1'-0"



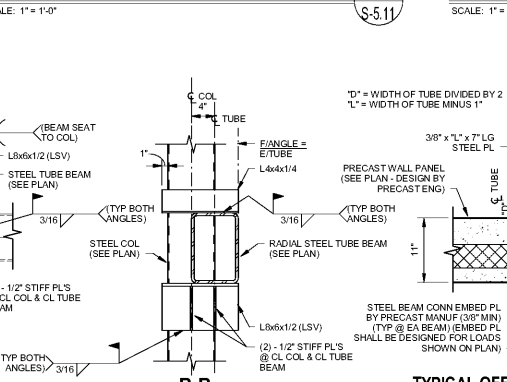
TYPICAL POST-UP COLUMN CONNECTION
SCALE: 1" = 1'-0"



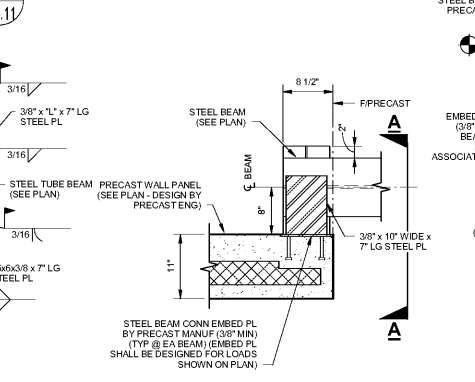
TYPICAL BEAM OVER COLUMN CONNECTION
SCALE: 1" = 1'-0"



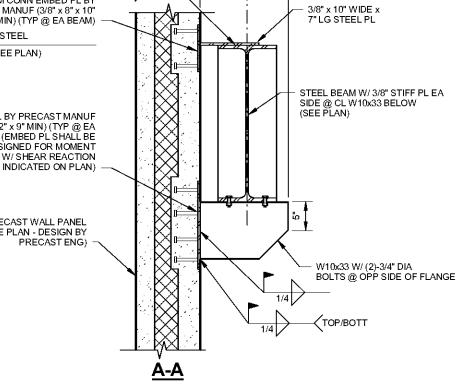
TYPICAL RADIAL TUBE BEAM TO COL CONN
SCALE: 1" = 1'-0"



TYPICAL OFFSET TUBE BEAM CONN TO PRECAST
SCALE: 1" = 1'-0"



TYPICAL OFFSET WIDE FLANGE BEAM CONN TO PRECAST
SCALE: 1" = 1'-0"



TYPICAL OFFSET WIDE FLANGE BEAM CONN TO PRECAST
SCALE: 1" = 1'-0"

Order Plans @

WWW.LDILLING.COM

CHAPMAN GRIFFIN LANIERS SUSSENBACH ARCHITECTS
2500 Cumberland Pkwy., Suite 350, Atlanta, Ga 30339 • Phone: 404.733.5493

ROOF FRAMING SECTIONS & DETAILS

PROJECT NO: 0217302.00
DATE: 09/17/18
DRAWN BY: RAS
CHECKED BY: ACB

S-5.11

DOE FACILITY CODE: 680-3086
RIVERWOOD HIGH SCHOOL - PHASE 3 - AUDITORIUM/GYMNASIUM ADDITION
5900 RAIDER DRIVE NW SANDY SPRINGS, GA 30328
FULTON COUNTY SCHOOLS RFP NO. XXX-XX

DATE NO. DESCRIPTION
06/19/18 NO. CONSTRUCTION DOCUMENTS
09/17/18 DOE CHECK - SET/ PERM. SET
10/15/18 FIN. DOE SUBMITTAL ISSUED FOR PROPOSALS
11/01/18

RELEASED FOR CONSTRUCTION

PES STRUCTURAL ENGINEERS
1000 W. Peachtree Street, N.W., Suite 1000, Atlanta, GA 30308
PH: 404.525.8800 FAX: 404.525.8801
www.pes-engineers.com

CGLS ARCHITECTS
CHAPMAN GRIFFIN LANIERS SUSSENBACH ARCHITECTS
2017

ARCHITECTURE
PLANNING
FACILITATION DESIGN